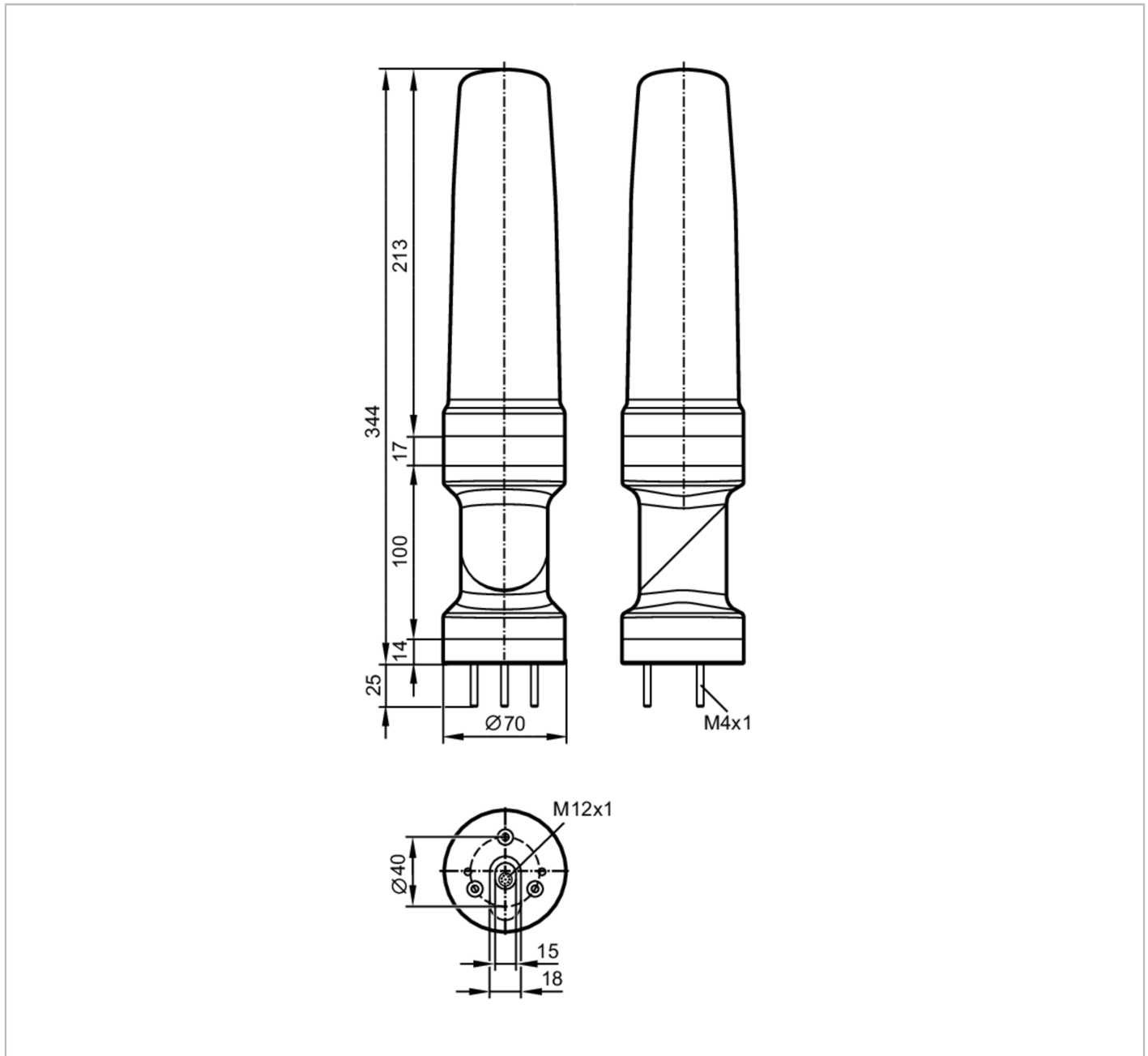


# DV1501



## 5-segment light tower with IO-Link data output

LED-Tower-5/MDA/Bracket



Application	
Application	Display and transfer of machine states to higher-level evaluation software via IO-Link
Electrical data	
Operating voltage [V]	18...30 DC; (to SELV/PELV)
Nominal voltage DC [V]	24
Current consumption [mA]	< 200
Inputs / outputs	
Number of inputs and outputs	Number of digital inputs: 6
Inputs	
Number of digital inputs	6

# DV1501



## 5-segment light tower with IO-Link data output

LED-Tower-5/MDA/Bracket

Input current High	[mA]	6
<b>Interfaces</b>		
Communication interface		IO-Link
Transmission type		COM2 (38,4 kBaud)
IO-Link revision		1.1
SDCI standard		IEC 61131-9
SIO mode		yes
Required master port class		A
Min. process cycle time	[ms]	3.2
Supported DeviceIDs	<b>Type of operation</b>	<b>DeviceID</b>
	default	1700
<b>Operating conditions</b>		
Ambient temperature	[°C]	-25...50
Storage temperature	[°C]	-40...75
Max. relative air humidity	[%]	90
Air pressure	[kPa]	< 106
Max. height above sea level	[m]	2000
Protection		IP 65
<b>Mechanical data</b>		
Weight	[g]	540.5
Type of mounting		Mounting base
Dimensions	[mm]	Ø 70 / L = 344
Material		housing: ABS; lens: PC
<b>Displays / operating elements</b>		
Display	status	1 x LED, green
	LED segment	5 x 4 LED
<b>Accessories</b>		
Accessories (optional)		mounting base, E89060
		wall bracket, E89061
		Mounting adapter, E89063
		bracket with lateral cable entry, E89064
		mounting tube, E89065
		mounting tube, E89066
		mounting tube, E89067
<b>Remarks</b>		
Remarks		Further information is available in the manual.
Pack quantity		1 pcs.

# DV1501

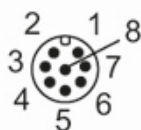


## 5-segment light tower with IO-Link data output

LED-Tower-5/MDA/Bracket

### Electrical connection - plug

Connector: M12; coding: A



### Connection

1	Digital input LED segment 5
2	not used
3	Digital input LED segment 3
4	Digital input LED segment 2
5	GND
6	Digital input LED segment 1
7	Digital input LED segment 4
8	IO-Link (C/Q)

### Diagrams and graphs

base mounting



# DV1501



## 5-segment light tower with IO-Link data output

LED-Tower-5/MDA/Bracket

wall mounting

