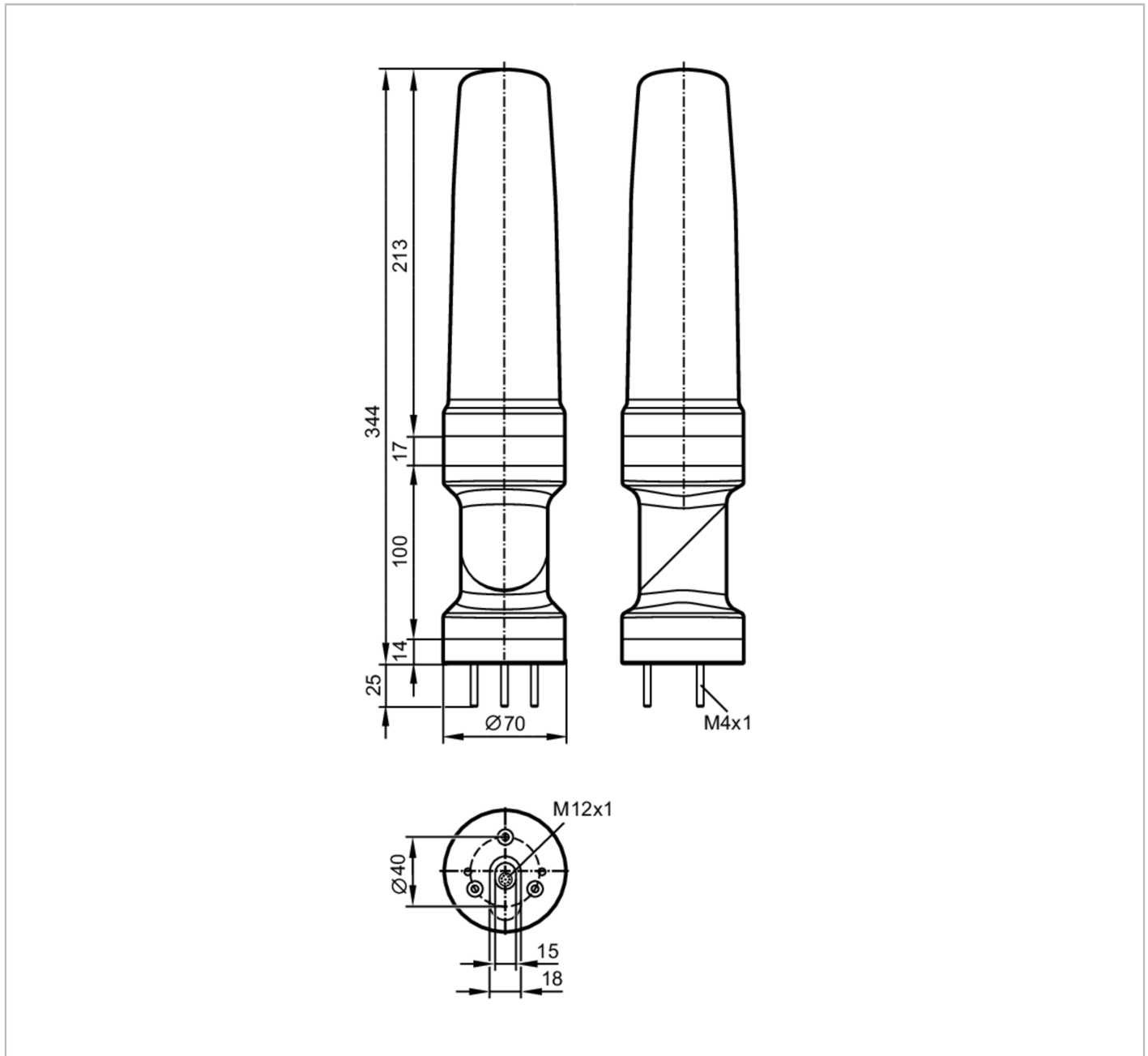


DV1500



5-segment signal lamp

LED-Tower-5/Std/Bracket







Application	
Application	signaling machine conditions
Electrical data	
Operating voltage [V]	18...30 DC; (to SELV/PELV)
Nominal voltage DC [V]	24
Current consumption [mA]	< 200
Inputs / outputs	
Number of inputs and outputs	Number of digital inputs: 6
Inputs	
Number of digital inputs	6

DV1500



5-segment signal lamp

LED-Tower-5/Std/Bracket

Input current High	[mA]	6
--------------------	------	---

Interfaces

Communication interface	IO-Link	
Transmission type	COM2 (38,4 kBaud)	
IO-Link revision	1.1	
SDCI standard	IEC 61131-9	
SIO mode	yes	
Required master port class	A	
Min. process cycle time	[ms]	3.2
Supported DeviceIDs	Type of operation	DeviceID
	default	850

Operating conditions

Ambient temperature	[°C]	-25...50
Storage temperature	[°C]	-40...75
Max. relative air humidity	[%]	90
Air pressure	[kPa]	< 106
Max. height above sea level	[m]	2000
Protection		IP 65

Mechanical data

Weight	[g]	589.5
Type of mounting		Mounting base
Dimensions	[mm]	Ø 70 / L = 344
Material		housing: ABS; lens: PC

Displays / operating elements

Display	status	1 x LED, green
	LED segment	5 x 4 LED

Accessories

Accessories (optional)	mounting base, E89060
	wall bracket, E89061
	Mounting adapter, E89063
	bracket with lateral cable entry, E89064
	mounting tube, E89065
	mounting tube, E89066
	mounting tube, E89067

Remarks

Remarks	Further information is available in the manual.
Pack quantity	1 pcs.

DV1500

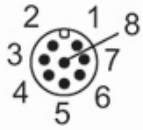


5-segment signal lamp

LED-Tower-5/Std/Bracket

Electrical connection - plug

Connector: M12; coding: A



Connection

1	Digital input LED segment 5
2	not used
3	Digital input LED segment 3
4	Digital input LED segment 2
5	voltage supply
6	Digital input LED segment 1
7	Digital input LED segment 4
8	IO-Link (C/Q)

Diagrams and graphs

base mounting



DV1500

5-segment signal lamp

LED-Tower-5/Std/Bracket



wall mounting

