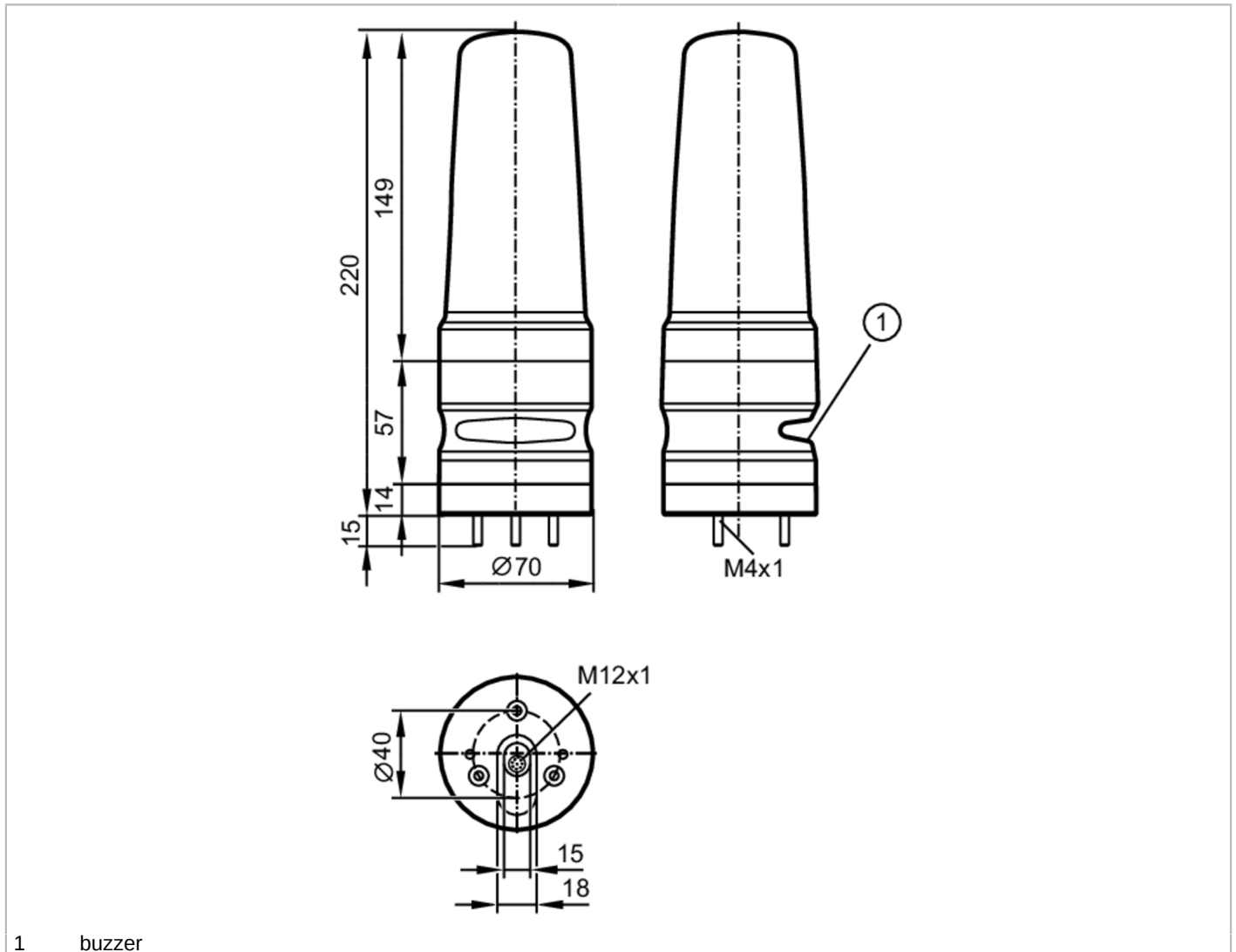


# DV1330



## 3-segment signal light

LED-Tower-3/Std/Buzzer



1 buzzer



Application	
Application	signaling machine conditions
Electrical data	
Operating voltage [V]	18...30 DC; (to SELV/PELV)
Nominal voltage DC [V]	24
Current consumption [mA]	< 200
Inputs / outputs	
Number of inputs and outputs	Number of digital inputs: 4
Inputs	
Number of digital inputs	4
Input current High [mA]	6
Interfaces	
Communication interface	IO-Link
Transmission type	COM2 (38,4 kBaud)
IO-Link revision	1.1

# DV1330



## 3-segment signal light

LED-Tower-3/Std/Buzzer

SDCI standard	IEC 61131-9
SIO mode	yes
Required master port class	A
Min. process cycle time [ms]	3.2
Supported DeviceIDs	<b>Type of operation</b> default
	<b>DeviceID</b> 1466

Operating conditions	
Ambient temperature [°C]	-25...50
Storage temperature [°C]	-40...75
Max. relative air humidity [%]	90
Air pressure [kPa]	< 106
Max. height above sea level [m]	2000
Protection	IP 54

Tests / approvals		
UL approval	voltage supply	Class 2

Mechanical data	
Weight [g]	427.3
Dimensions [mm]	Ø 70 / L = 220
Material	housing: ABS; lens: PC

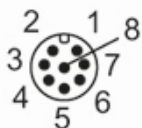
Displays / operating elements		
Display	status	1 x LED, green
	LED segment	3 x 4 LED
Acoustic signal	buzzer	
Max. sound pressure [dB]	85	

Accessories	
Accessories (optional)	mounting base, E89060
	wall bracket, E89061
	Mounting adapter, E89063
	bracket with lateral cable entry, E89064
	mounting tube, E89065
	mounting tube, E89066
mounting tube, E89067	

Remarks	
Remarks	Further information is available in the manual.
Pack quantity	1 pcs.

### Electrical connection - plug

Connector: M12; coding: A



# DV1330



## 3-segment signal light

LED-Tower-3/Std/Buzzer

### Connection

1	n.c.
2	buzzer
3	Digital input LED segment 3
4	Digital input LED segment 2
5	voltage supply
6	Digital input LED segment 1
7	n.c.
8	IO-Link (C/Q)