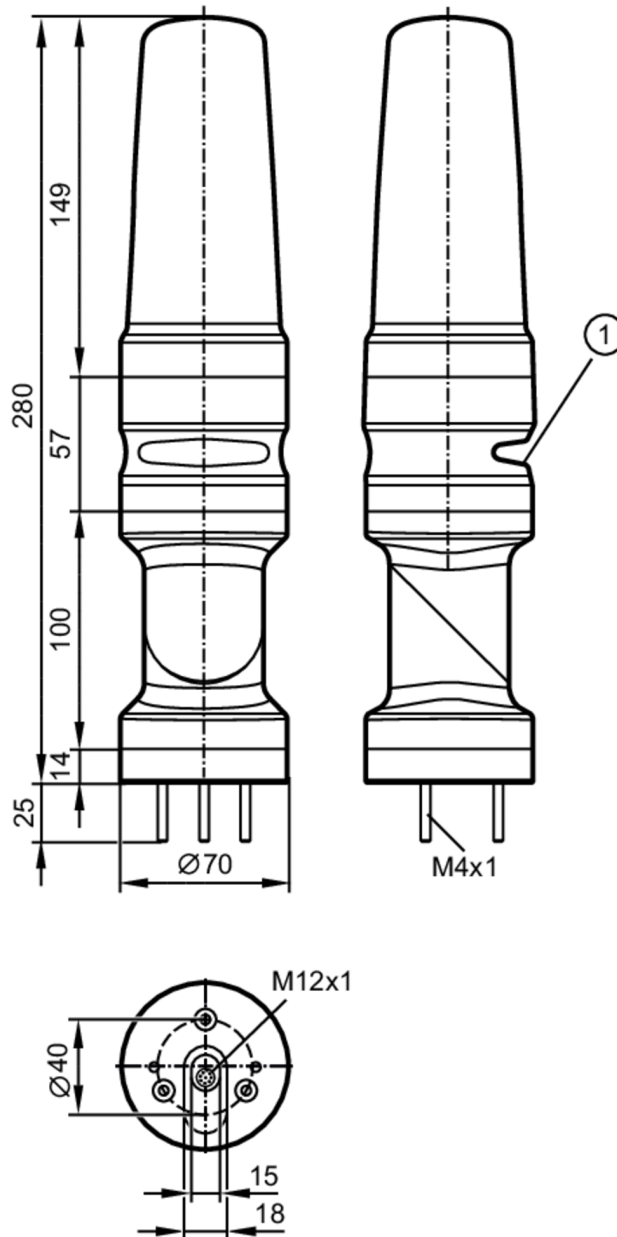


# DV1310



## 3-segment signal light

LED-Tower-3/Std/Bracket+Buz



1 buzzer



### Application

Application signaling machine conditions

### Electrical data

Operating voltage	[V]	18...30 DC; (to SELV/PELV)
Nominal voltage DC	[V]	24
Current consumption	[mA]	< 200

### Inputs / outputs

Number of inputs and outputs Number of digital inputs: 4

# DV1310



## 3-segment signal light

LED-Tower-3/Std/Bracket+Buz

Inputs		
Number of digital inputs		4
Input current High	[mA]	6
Interfaces		
Communication interface		IO-Link
Transmission type		COM2 (38,4 kBaud)
IO-Link revision		1.1
SDCI standard		IEC 61131-9
SIO mode		yes
Required master port class		A
Min. process cycle time	[ms]	3.2
Supported DeviceIDs	<b>Type of operation</b>	<b>DeviceID</b>
	default	1466
Operating conditions		
Ambient temperature	[°C]	-25...50
Storage temperature	[°C]	-40...75
Max. relative air humidity	[%]	90
Air pressure	[kPa]	< 106
Max. height above sea level	[m]	2000
Protection		IP 54
Tests / approvals		
UL approval	voltage supply	Class 2
Mechanical data		
Weight	[g]	542.2
Type of mounting		Mounting base
Dimensions	[mm]	Ø 70 / L = 280
Material		housing: ABS; lens: PC
Displays / operating elements		
Display	status	1 x LED, green
	LED segment	3 x 4 LED
Acoustic signal		buzzer
Max. sound pressure	[dB]	85
Accessories		
Accessories (optional)		mounting base, E89060
		wall bracket, E89061
		Mounting adapter, E89063
		bracket with lateral cable entry, E89064
		mounting tube, E89065
		mounting tube, E89066
		mounting tube, E89067
Remarks		
Remarks		Further information is available in the manual.
Pack quantity		1 pcs.

# DV1310

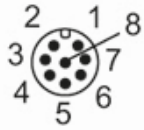


## 3-segment signal light

LED-Tower-3/Std/Bracket+Buz

### Electrical connection - plug

Connector: M12; coding: A



### Connection

1	n.c.
2	buzzer
3	Digital input LED segment 3
4	Digital input LED segment 2
5	voltage supply
6	Digital input LED segment 1
7	n.c.
8	IO-Link

### Diagrams and graphs

