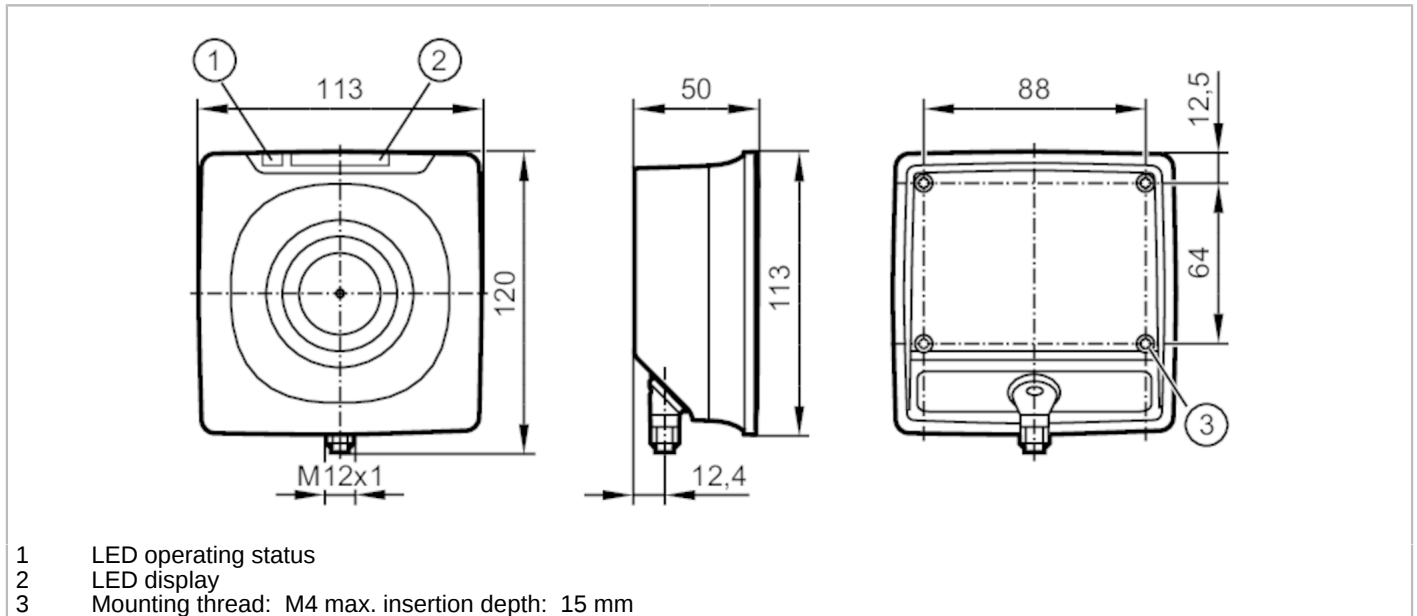


DTI901



RFID UHF compact unit

DTRUHFA HLRWIOUS04



Application		
Application	Detection of objects on transport equipment	
Radio approval for	Canada; USA	
Electrical data		
Operating voltage [V]	18...30 DC	
Current consumption [mA]	< 250	
Power consumption [W]	4.8	
Protection class	III	
Operating frequency [MHz]	902...928	
RFID standard	EPC Class1 GEN2/ISO 18000-63	
Transmission power EIRP [mW]	200; (maximum: 410 mW)	
Interfaces		
Communication interface	IO-Link	
Transmission type	COM3 (230,4 kBaud)	
IO-Link revision	1.1	
Supported DeviceIDs	Type of operation	DeviceID
	default	1418
Operating conditions		
Ambient temperature [°C]	-20...60	
Storage temperature [°C]	-25...80	
Protection	IP 67	
Tests / approvals		
Shock resistance	EN 60068-2-27	40 g 6 ms / bump
	EN 60068-2-27	50 g 11 ms / single shock
Vibration resistance	EN 60068-2-6	2 g 10...150 Hz
Electrical safety	EN 61010-2-201	electrical supply only via PELV circuits

DTI901



RFID UHF compact unit

DTRUHFA HLRWIOUS04

UL approval	Ta	-20...60 °C
	Enclosure type	Type 1
	voltage supply	Limited Voltage/Current
	File number UL	E205959

Mechanical data

Weight	[g]	635.8
Dimensions	[mm]	120 x 50 x 113
Material		PBT; PC; stainless steel; aluminum

Displays / operating elements

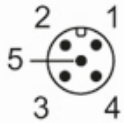
Display	Power	1 x LED, green
	tag communication	4 x LED display, yellow number of tags in the field

Remarks

Pack quantity	1 pcs.
---------------	--------

Electrical connection

Connector: 1 x M12; coding: A



- 1 Sensor supply L+
- 2 not used
- 3 Sensor supply L-
- 4 IO-Link
- 5 not used