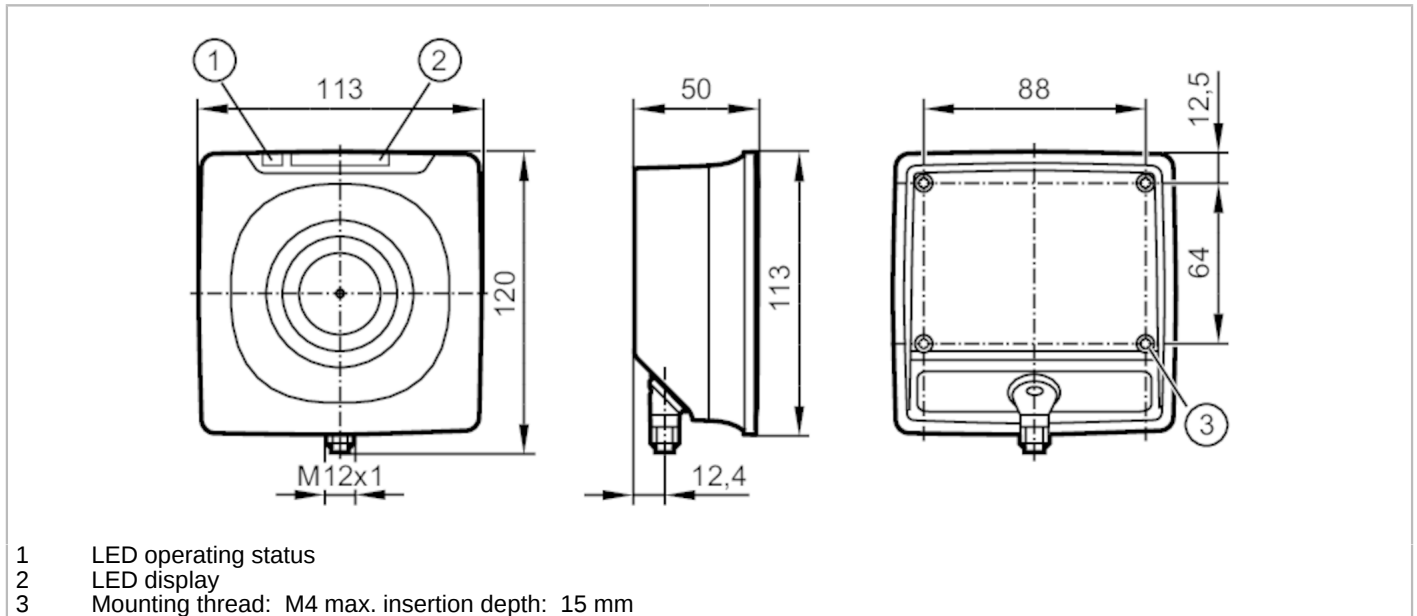


DTI600



RFID read/write head HF

DTRHF HLRWIOUS03



Application	
Application	Detection of objects on transport equipment
Radio approval for	EU/RED; Japan; Australia; China; Taiwan; India; Singapore; USA; Canada
Note on radio approval	The list of countries applying the European Radio Equipment Directive 2014/53/EU (RED) can be found under "Downloads".
Electrical data	
Operating voltage [V]	19.2...28.8 DC
Current consumption [mA]	< 150
Protection class	III
Operating frequency [MHz]	13,56
RFID standard	ISO 15693
Monitoring range	
Distance write/read head front [mm]	400
Distance write/read head side [mm]	600
Distance to the ID tag [mm]	referred to the ID tag E80384 : < 190
	referred to an ISO card E80407 : < 230
Interfaces	
Communication interface	IO-Link
Transmission type	COM2 (38,4 kBaud)
IO-Link revision	1.1
SDCI standard	IEC 61131-9
Profiles	Smart Sensor: Device Identification
SIO mode	no
Required master port class	A
Supported DeviceIDs	Type of operation DeviceID
	default 967

DTI600



RFID read/write head HF

DTRHF HLRWIOUS03

Operating conditions		
Ambient temperature	[°C]	-20...60
Storage temperature	[°C]	-25...80
Protection		IP 67
Tests / approvals		
Shock resistance	EN 60068-2-27	40 g 6 ms / bump
	EN 60068-2-27	50 g 11 ms / single shock
Vibration resistance	EN 60068-2-6	2 g 10...150 Hz
Mechanical data		
Weight	[g]	456
Dimensions	[mm]	120 x 50 x 113
Material		PBT; PC; stainless steel
Displays / operating elements		
Display	Power	1 x LED, green
	tag communication	4 x LED display, yellow signal strength ID tag
Remarks		
Remarks		For the distances to other ID tags see the respective data sheet (E803xx)
Pack quantity		1 pcs.

Electrical connection

Connector: 1 x M12; coding: A



Connection

