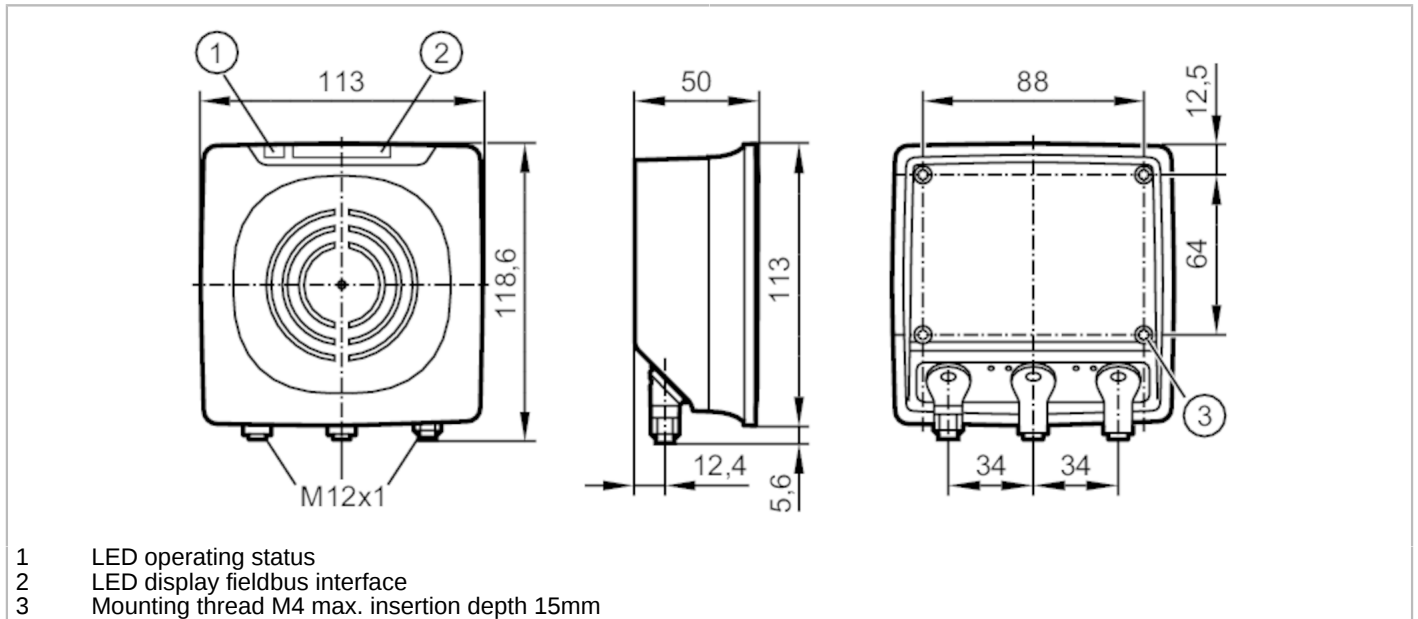


# DTE904



## Compact RFID device

DTRUHFA HLRWENUS04




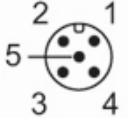
Application	
Radio approval for	USA; Canada; Mexico
Electrical data	
Operating voltage [V]	19.2...28.8 DC
Current consumption [mA]	500
Power consumption [W]	8.6
Protection class	III
Operating frequency [MHz]	902...928
RFID standard	EPC Class1 GEN2/ISO 18000-63
Transmission power EIRP [mW]	200; (maximum: 250 mW)
Outputs	
Max. current load per output [mA]	100; (max.)
Interfaces	
Communication interface	Ethernet
Ethernet - TCP/IP	
Protocol	TCP/IP
Factory settings	IP address: 192.168.0.79 subnet mask: 255.255.255.0 gateway IP address: 192.168.0.100
Usage type	Parameter setting; Data transmission
Operating conditions	
Ambient temperature [°C]	-20...55
Note on ambient temperature	with mounting plate and cooling element: -20...60 °C
Storage temperature [°C]	-25...80
Protection	IP 67

# DTE904



## Compact RFID device

DTRUHFA HLRWENUS04

Tests / approvals		
Shock resistance	IEC 60028-2-27	40 g (6 ms) / bump 50 g (11 ms) / single shock
Vibration resistance	EN 60068-2-6	2 g (10...150 Hz)
Mechanical data		
Weight [g]		695
Dimensions [mm]		113 x 118.6 x 50
Material		housing: aluminum; PBT / PC; stainless steel
Displays / operating elements		
Display	voltage supply	1 x LED, green
	LED display	4 x LED, yellow signal strength ID tag
	status	2 x LED, green/red fieldbus interface
	status	2 x LED, green/yellow Ethernet
Remarks		
Pack quantity		1 pcs.
Electrical connection - Ethernet		
Connector: 2 x M12; coding: D		
		
ETH1 / ETH2		
1	TD+	
2	RD+	
3	TD-	
4	RD-	
Electrical connection - voltage supply		
Connector: 1 x M12; coding: A		
		
PWR		
1	L+	
2	digital input/output 2	
3	L-	
4	digital input/output 1	
5	not used	