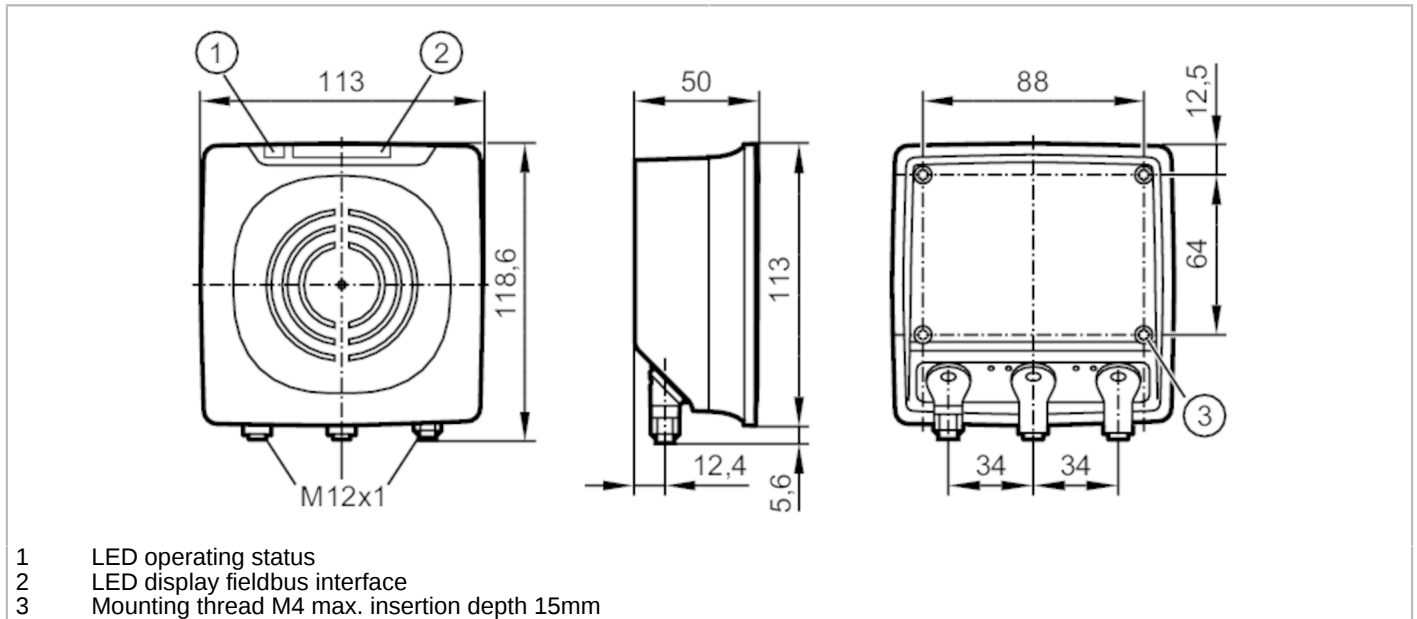


DTE901



Compact RFID device

DTRUHFA HLRWPNUS04



Application	
Radio approval for	USA; Canada; Mexico
Electrical data	
Operating voltage [V]	19.2...28.8 DC
Current consumption [mA]	500
Power consumption [W]	8.6
Protection class	III
Operating frequency [MHz]	902...928
RFID standard	EPC Class1 GEN2/ISO 18000-63
Transmission power EIRP [mW]	200; (maximum: 250 mW)
Outputs	
Max. current load per output [mA]	100; (max.)
Interfaces	
Communication interface	Ethernet
Ethernet - PROFINET	
Protocol	PROFINET
Usage type	Data transmission
Ethernet - TCP/IP	
Protocol	TCP/IP
Factory settings	IP address: 192.168.0.79 subnet mask: 255.255.255.0 gateway IP address: 192.168.0.100
Usage type	Parameter setting; Data transmission
Operating conditions	
Ambient temperature [°C]	-20...55
Note on ambient temperature	with mounting plate and cooling element: -20...60 °C

DTE901



Compact RFID device

DTRUHFA HLRWPNUS04

Storage temperature	[°C]	-25...80
Protection		IP 67

Tests / approvals

Shock resistance	IEC 60028-2-27	40 g (6 ms) / bump
		50 g (11 ms) / single shock
Vibration resistance	EN 60068-2-6	2 g (10...150 Hz)

Mechanical data

Weight	[g]	691.3
Dimensions	[mm]	113 x 118.6 x 50
Material		housing: aluminum; PBT / PC; stainless steel

Displays / operating elements

Display	voltage supply	1 x LED, green
	LED display	4 x LED, yellow signal strength ID tag
	status	2 x LED, green/red fieldbus interface
	status	2 x LED, green/yellow Ethernet

Remarks

Pack quantity	1 pcs.
---------------	--------

Electrical connection - Ethernet

Connector: 2 x M12; coding: D

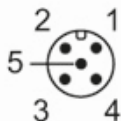


ETH1 / ETH2

1	TD+
2	RD+
3	TD-
4	RD-

Electrical connection - voltage supply

Connector: 1 x M12; coding: A



PWR

1	L+
2	digital input/output 2
3	L-
4	digital input/output 1
5	not used