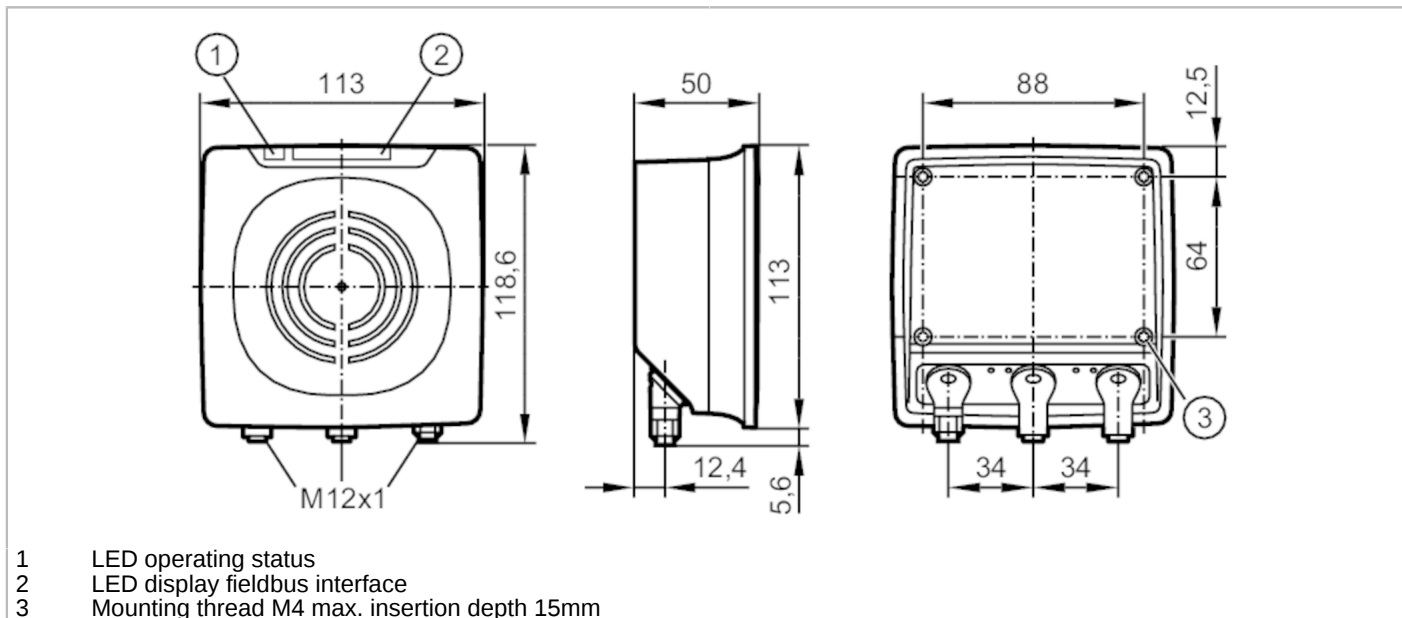


DTE605



Compact RFID device with fieldbus interface

DTRHF HLRWITUS03



Application

Radio approval for	USA; Canada; South Korea; Japan; Taiwan; Singapore; Malaysia; China; EU/RED; India
Note on radio approval	The list of countries applying the European Radio Equipment Directive 2014/53/EU (RED) can be found under "Downloads".

Electrical data

Operating voltage [V]	19.2...28.8 DC
Current consumption [mA]	500
Protection class	III
Operating frequency [MHz]	13,56
RFID standard	ISO 15693

Outputs

Max. current load per output [mA]	100; (max.)
-----------------------------------	-------------

Monitoring range

Distance write/read head front [mm]	600
Distance write/read head side [mm]	850
Note on distance write/read head	100% transmission power
Distance to the ID tag [mm]	50 mm transponder : ≤ 150 ISO card : ≤ 180

Interfaces

Communication interface	Ethernet
Ethernet - Internet of Things	
Transmission standard	10Base-T; 100Base-TX
Transmission rate	10 MBit/s; 100 MBit/s
Protocol	MQTT JSON

DTE605



Compact RFID device with fieldbus interface

DTRHF HLRWITUS03

Factory settings	IP address: 192.168.0.79
	subnet mask: 255.255.255.0
	gateway IP address: 192.168.0.100
Usage type	Parameter setting; Data transmission

Operating conditions

Ambient temperature	[°C]	-20...60
Storage temperature	[°C]	-25...80
Protection		IP 67

Tests / approvals

Shock resistance	IEC 60028-2-27	40 g (6 ms) / bump
		50 g (11 ms) / single shock
Vibration resistance	EN 60068-2-6	2 g (10...150 Hz)
UL approval	Ta	-20...60 °C
	Enclosure type	Type 1
	voltage supply	Limited Voltage/Current
	File number UL	E205959

Mechanical data

Weight	[g]	645.1
Dimensions	[mm]	113 x 118.5 x 50
Material		PBT / PC; stainless steel; aluminum

Displays / operating elements

Display	voltage supply	1 x LED, green
	LED display	4 x LED, yellow signal strength ID tag
	status	2 x LED, green/red fieldbus interface
	status	2 x LED, green/yellow Ethernet

Remarks

Pack quantity	1 pcs.
---------------	--------

Electrical connection - Ethernet

Connector: 2 x M12; coding: D



ETH1 / ETH2

1	TD+
2	RD+
3	TD-
4	RD-

DTE605

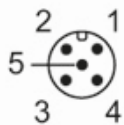


Compact RFID device with fieldbus interface

DTRHF HLRWITUS03

Electrical connection - voltage supply

Connector: 1 x M12; coding: A



PWR

1	L+
2	digital input/output 2
3	L-
4	digital input/output 1
5	not used