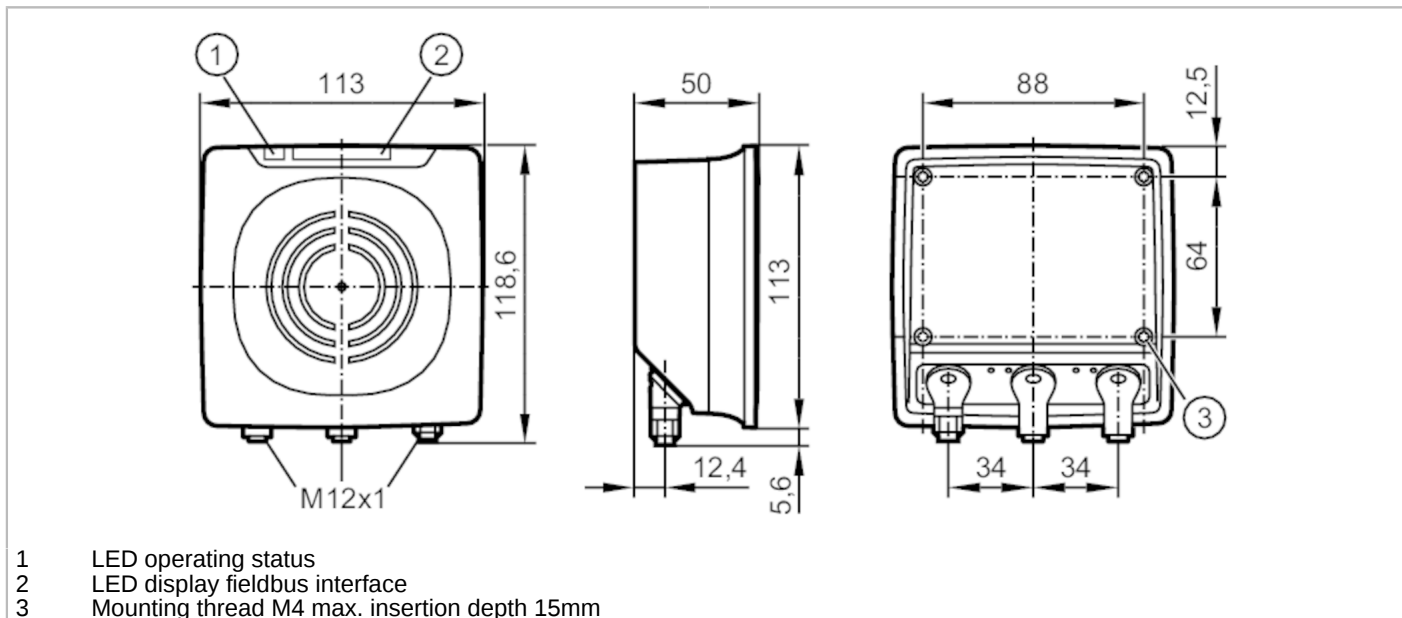


DTE604



Compact RFID device with fieldbus interface

DTRHF HLRWENUS03



Application	
Radio approval for	USA; Canada; EU/RED; Australia; China; South Korea; Japan; Taiwan; Singapore; Malaysia; India
Note on radio approval	The list of countries applying the European Radio Equipment Directive 2014/53/EU (RED) can be found under "Downloads".
Electrical data	
Operating voltage [V]	19.2...28.8 DC
Current consumption [mA]	500
Protection class	III
Operating frequency [MHz]	13,56
RFID standard	ISO 15693
Outputs	
Max. current load per output [mA]	100; (max.)
Monitoring range	
Distance write/read head front [mm]	600
Distance write/read head side [mm]	850
Note on distance write/read head	100% transmission power
Distance to the ID tag [mm]	50 mm transponder : ≤ 150
	ISO card : ≤ 180
Interfaces	
Communication interface	Ethernet
Ethernet - TCP/IP	
Protocol	TCP/IP
Factory settings	IP address: 192.168.0.79
	subnet mask: 255.255.255.0
	gateway IP address: 192.168.0.100

DTE604



Compact RFID device with fieldbus interface

DTRHF HLRWENUS03

Usage type	Parameter setting; Data transmission
------------	--------------------------------------

Operating conditions

Ambient temperature	[°C]	-20...60
Storage temperature	[°C]	-25...80
Protection		IP 67

Tests / approvals

Shock resistance	IEC 60028-2-27	40 g (6 ms) / bump
		50 g (11 ms) / single shock
Vibration resistance	EN 60068-2-6	2 g (10...150 Hz)
MTTF	[years]	130

Mechanical data

Weight	[g]	641.5
Dimensions	[mm]	113 x 118.5 x 50
Material		PBT / PC; stainless steel; aluminum

Displays / operating elements

Display	voltage supply	1 x LED, green
	LED display	4 x LED, yellow signal strength ID tag
	status	2 x LED, green/red fieldbus interface
	status	2 x LED, green/yellow Ethernet

Remarks

Pack quantity	1 pcs.
---------------	--------

Electrical connection - Ethernet

Connector: 2 x M12; coding: D

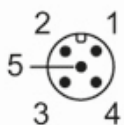


ETH1 / ETH2

1	TD+
2	RD+
3	TD-
4	RD-

Electrical connection - voltage supply

Connector: 1 x M12; coding: A



DTE604



Compact RFID device with fieldbus interface

DTRHF HLRWENUS03

PWR

1	L+
2	digital input/output 2
3	L-
4	digital input/output 1
5	not used