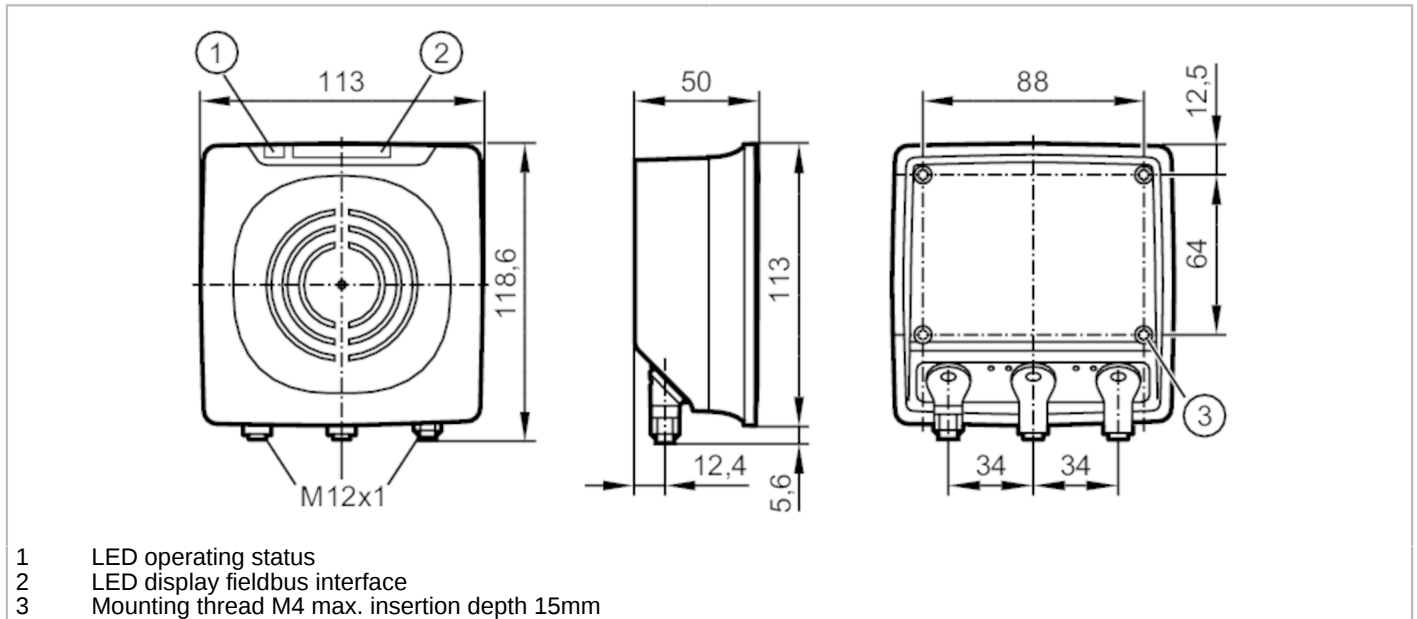


DTE602



Compact RFID device with fieldbus interface

DTRHF HLRWEIUS03



| Application | |
|-------------------------------------|--|
| Radio approval for | USA; Canada; EU/RED; Australia; China; South Korea; Japan; Taiwan; Singapore; Malaysia; India |
| Note on radio approval | The list of countries applying the European Radio Equipment Directive 2014/53/EU (RED) can be found under "Downloads". |
| Electrical data | |
| Operating voltage [V] | 19.2...28.8 DC |
| Current consumption [mA] | 500 |
| Protection class | III |
| Operating frequency [MHz] | 13,56 |
| RFID standard | ISO 15693 |
| Outputs | |
| Max. current load per output [mA] | 100; (max.) |
| Monitoring range | |
| Distance write/read head front [mm] | 600 |
| Distance write/read head side [mm] | 850 |
| Note on distance write/read head | 100% transmission power |
| Distance to the ID tag [mm] | 50 mm transponder : ≤ 150 |
| | ISO card : ≤ 180 |
| Interfaces | |
| Communication interface | Ethernet |
| Ethernet - EtherNet/IP | |
| Protocol | EtherNet/IP |
| Usage type | Data transmission |

DTE602



Compact RFID device with fieldbus interface

DTRHF HLRWEIUS03

| Ethernet - TCP/IP | |
|-------------------|--------------------------------------|
| Protocol | TCP/IP |
| Factory settings | IP address: 192.168.0.79 |
| | subnet mask: 255.255.255.0 |
| | gateway IP address: 192.168.0.100 |
| Usage type | Parameter setting; Data transmission |

| Operating conditions | |
|--------------------------|----------|
| Ambient temperature [°C] | -20...60 |
| Storage temperature [°C] | -25...80 |
| Protection | IP 67 |

| Tests / approvals | | |
|----------------------|----------------|-----------------------------|
| Shock resistance | IEC 60028-2-27 | 40 g (6 ms) / bump |
| | | 50 g (11 ms) / single shock |
| Vibration resistance | EN 60068-2-6 | 2 g (10...150 Hz) |
| MTTF [years] | | 130 |

| Mechanical data | |
|-----------------|-------------------------------------|
| Weight [g] | 640.5 |
| Dimensions [mm] | 113 x 118.5 x 50 |
| Material | PBT / PC; stainless steel; aluminum |

| Displays / operating elements | | |
|-------------------------------|----------------|--|
| Display | voltage supply | 1 x LED, green |
| | LED display | 4 x LED, yellow signal strength ID tag |
| | status | 2 x LED, green/red fieldbus interface |
| | status | 2 x LED, green/yellow Ethernet |

| Remarks | |
|---------------|--------|
| Pack quantity | 1 pcs. |

Electrical connection - Ethernet

Connector: 2 x M12; coding: D



| ETH1 / ETH2 | |
|-------------|-----|
| 1 | TD+ |
| 2 | RD+ |
| 3 | TD- |
| 4 | RD- |

DTE602

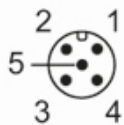


Compact RFID device with fieldbus interface

DTRHF HLRWEIUS03

Electrical connection - voltage supply

Connector: 1 x M12; coding: A



PWR

| | |
|---|------------------------|
| 1 | L+ |
| 2 | digital input/output 2 |
| 3 | L- |
| 4 | digital input/output 1 |
| 5 | not used |