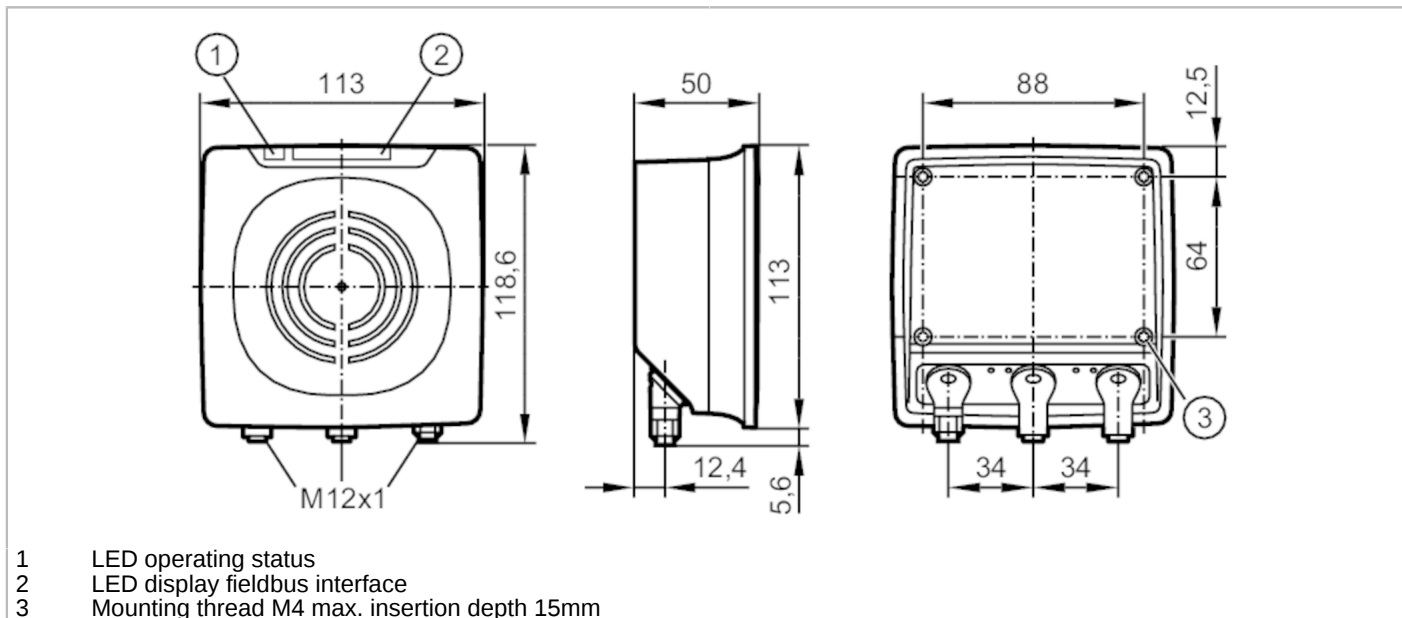


# DTE601



## Compact RFID device with fieldbus interface

DTRHF HLRWPNUS03



### Application

Radio approval for	USA; Canada; EU/RED; Australia; China; South Korea; Japan; Taiwan; Singapore; Malaysia; India; Vietnam
Note on radio approval	The list of countries applying the European Radio Equipment Directive 2014/53/EU (RED) can be found under "Downloads".

### Electrical data

Operating voltage [V]	19.2...28.8 DC
Current consumption [mA]	500
Protection class	III
Operating frequency [MHz]	13,56
RFID standard	ISO 15693

### Outputs

Max. current load per output [mA]	100; (max.)
-----------------------------------	-------------

### Monitoring range

Distance write/read head front [mm]	600
Distance write/read head side [mm]	850
Note on distance write/read head	100% transmission power
Distance to the ID tag [mm]	50 mm transponder : ≤ 150
	ISO card : ≤ 180

### Interfaces

Communication interface	Ethernet
Ethernet - PROFINET	
Protocol	PROFINET
Usage type	Data transmission

# DTE601



## Compact RFID device with fieldbus interface

DTRHF HLRWPNUS03

Ethernet - TCP/IP	
Protocol	TCP/IP
Factory settings	IP address: 192.168.0.79
	subnet mask: 255.255.255.0
	gateway IP address: 192.168.0.100
Usage type	Parameter setting

Operating conditions	
Ambient temperature [°C]	-20...60
Storage temperature [°C]	-25...80
Protection	IP 67

Tests / approvals		
Shock resistance	IEC 60028-2-27	40 g (6 ms) / bump
		50 g (11 ms) / single shock
Vibration resistance	EN 60068-2-6	2 g (10...150 Hz)
MTTF [years]		130

Mechanical data	
Weight [g]	641.5
Dimensions [mm]	113 x 118.5 x 50
Material	PBT / PC; stainless steel; aluminum

Displays / operating elements		
Display	voltage supply	1 x LED, green
	LED display	4 x LED, yellow signal strength ID tag
	status	2 x LED, green/red fieldbus interface
	status	2 x LED, green/yellow Ethernet

Remarks	
Pack quantity	1 pcs.

### Electrical connection - Ethernet

Connector: 2 x M12; coding: D



ETH1 / ETH2	
1	TD+
2	RD+
3	TD-
4	RD-

# DTE601

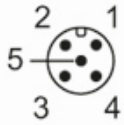


## Compact RFID device with fieldbus interface

DTRHF HLRWPNUS03

### Electrical connection - voltage supply

Connector: 1 x M12; coding: A



### PWR

1	L+
2	digital input/output 2
3	L-
4	digital input/output 1
5	not used