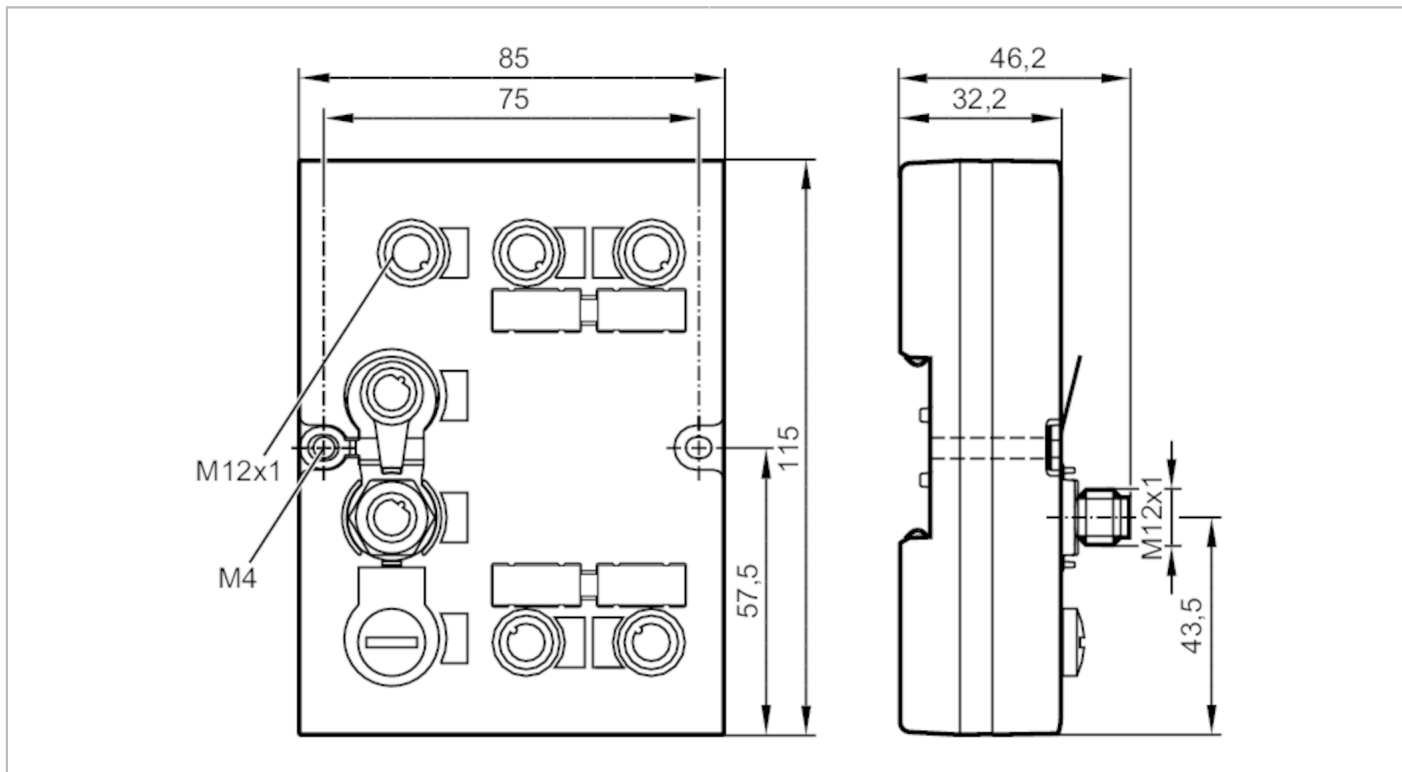


DTE105



RFID evaluation unit LF/HF

DTELF/HFABRWITUS00




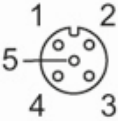
Application		
Application		for up to 4 read/write heads type ANT41x/ANT51x
Electrical data		
Operating voltage	[V]	18...30 DC
Current consumption	[mA]	< 3000
Inputs / outputs		
Number of inputs and outputs		Number of digital outputs: 4
Outputs		
Number of digital outputs		4
Max. current load per output	[mA]	500; (IO 1,2; IO 3,4: 1000 mA)
Interfaces		
Communication interface		Ethernet
Ethernet - Internet of Things		
Transmission standard		10Base-T; 100Base-TX
Transmission rate		10 MBit/s; 100 MBit/s
Protocol		MQTT JSON
Usage type		Data transmission; Parameter setting
Operating conditions		
Ambient temperature	[°C]	-20...60
Storage temperature	[°C]	-20...85
Protection		IP 67

DTE105



RFID evaluation unit LF/HF

DTELF/HFABRWITUS00

Tests / approvals		
Shock resistance	IEC 60028-2-27	15 g 11 ms
Vibration resistance	IEC 60028-2-6	±1.6 mm (17...18 Hz) / 2 g (10...150 Hz)
Mechanical data		
Weight	[g]	395.9
Dimensions	[mm]	115 x 46.2 x 85
Material	Upper part: PA Grivory GV5H orange; Upper part: TPE; lower part: GD-ALSi12	
Displays / operating elements		
Display	voltage supply	1 x LED, green
		1 x LED, yellow
	Ethernet TCP/IP	2 x LED, red/green
	Ethernet	1 x LED, green
		1 x LED, yellow
	Inputs / outputs	1 x LED, green
		1 x LED, yellow
Accessories		
Items supplied	Protective cap: M12, E73004	
Remarks		
Pack quantity	1 pcs.	
Electrical connection - Ethernet		
Connector: 2 x M12; coding: D		
		
Port 1/2		
1	TD+	
2	RD+	
3	TD-	
4	RD-	
Electrical connection - Process connection		
Connector: 4 x M12; coding: A		
		

DTE105



RFID evaluation unit LF/HF

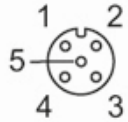
DTELF/HFABRWITUS00

IO 1...4

1	L+
2	IN (I/Q)
3	L-
4	OUT (C/Qo); IN (C/Qi)
5	n.c.

Electrical connection - voltage supply

Connector: 1 x M12; coding: A



AUX

1	24 V DC
2	n.c.
3	0 V
4	n.c.
5	n.c.