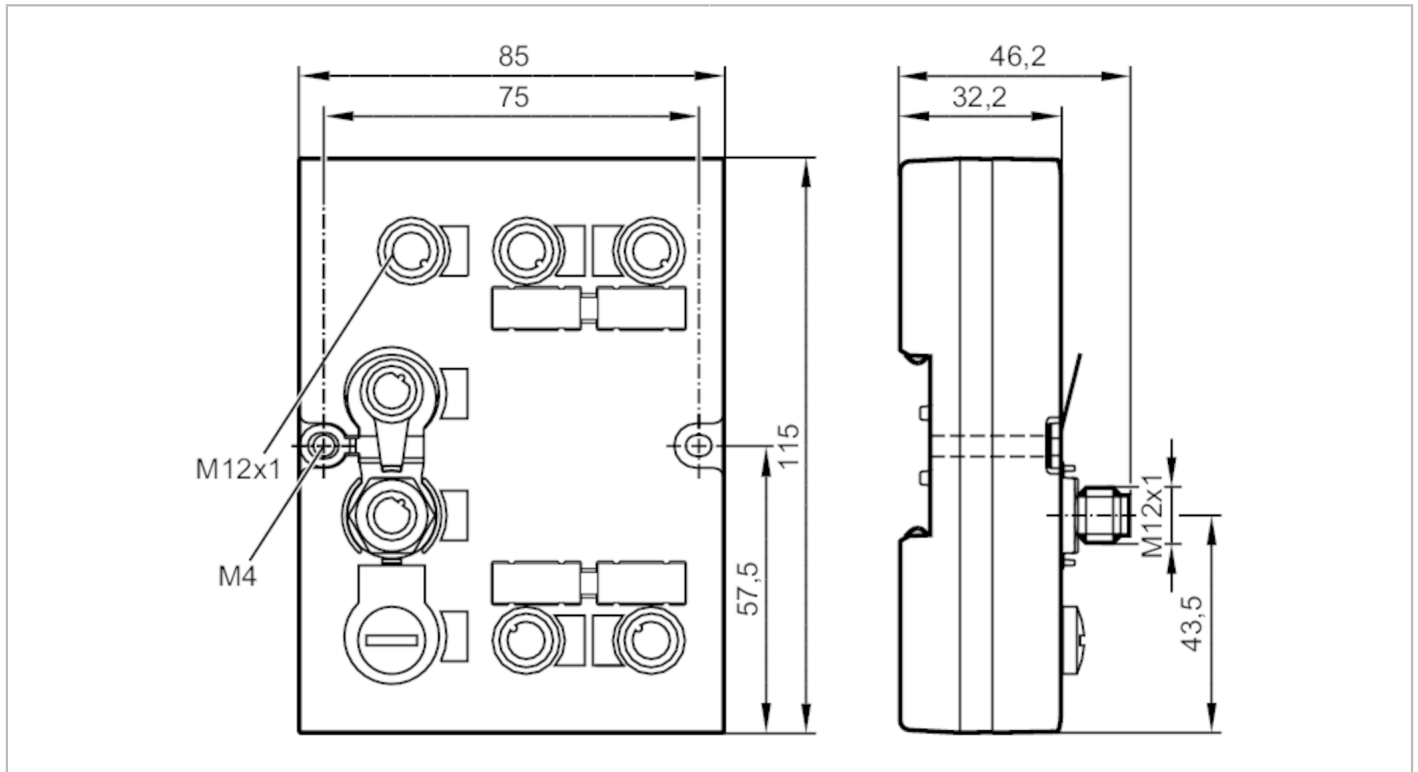


DTE103



RFID evaluation unit LF/HF

DTELF/HFABRWECUS00



Application	
Application	for up to 4 read/write heads type ANT41x/ANT51x
Electrical data	
Operating voltage [V]	18...30 DC
Current consumption [mA]	< 3000
Inputs / outputs	
Number of inputs and outputs	Number of digital outputs: 4
Outputs	
Number of digital outputs	4
Max. current load per output [mA]	500; (IO 1,2; IO 3,4: 1000 mA)
Interfaces	
Communication interface	Ethernet
Factory settings	IP address: 192.168.0.79 subnet mask: 255.255.255.0 gateway IP address: 192.168.0.100
Ethernet - EtherCAT	
Protocol	EtherCAT
Operating conditions	
Ambient temperature [°C]	-20...60
Storage temperature [°C]	-20...85
Protection	IP 67

DTE103



RFID evaluation unit LF/HF

DTELF/HFABRWECUS00

Tests / approvals		
Shock resistance	IEC 60028-2-27	15 g 11 ms
Vibration resistance	IEC 60028-2-6	±1.6 mm (17...18 Hz) / 2 g (10...150 Hz)
MTTF [years]		108.28

Mechanical data		
Weight [g]		394
Dimensions [mm]		115 x 46.2 x 85
Material	Upper part: PA Grivory GV4H orange; Upper part: TPE; lower part: GD-ALSi12	

Displays / operating elements		
Display	voltage supply	1 x LED, green
		1 x LED, yellow
	EtherCAT RUN/ERR	2 x LED, red/green
	EtherCAT IN/OUT	1 x LED, green
		1 x LED, yellow
	Inputs / outputs	1 x LED, green
		1 x LED, yellow

Accessories	
Items supplied	Protective cap: M12, E73004

Remarks	
Remarks	EtherCAT is a registered trademark and patented technology, licensed by Beckhoff Automation GmbH, Germany
Pack quantity	1 pcs.

Electrical connection - Ethernet

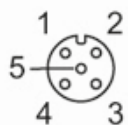
Connector: 2 x M12; coding: D



IN / OUT	
1	TD+
2	RD+
3	TD-
4	RD-

Electrical connection - Process connection

Connector: 4 x M12; coding: A



DTE103



RFID evaluation unit LF/HF

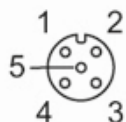
DTELF/HFABRWECUS00

IO 1...4

1	L+
2	IN (I/Q)
3	L-
4	OUT (C/Qo); IN (C/Qi)
5	n.c.

Electrical connection - voltage supply

Connector: 1 x M12; coding: A



AUX

1	24 V DC
2	n.c.
3	0 V
4	n.c.
5	n.c.