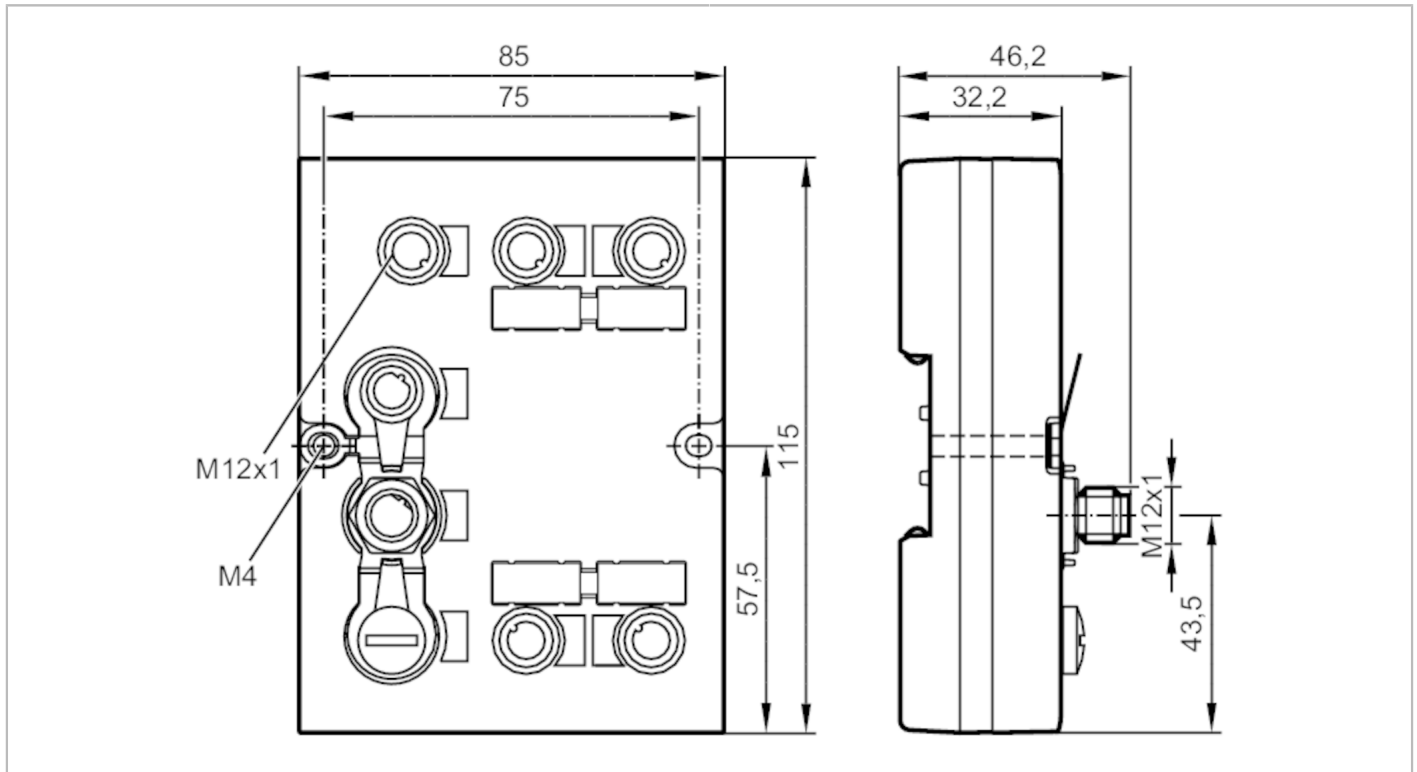


# DTE100



## RFID evaluation unit LF/HF

DTELF/HFABRWDPUS00



Application	
Application	for up to 4 read/write heads type ANT41x/ANT51x
Electrical data	
Operating voltage [V]	18...30 DC
Current consumption [mA]	< 3000
Inputs / outputs	
Number of inputs and outputs	Number of digital outputs: 4
Outputs	
Number of digital outputs	4
Max. current load per output [mA]	500; (IO 1,2; IO 3,4: 1000 mA)
Interfaces	
Communication interface	PROFIBUS DP
Factory settings	IP address: 192.168.0.79 subnet mask: 255.255.255.0 gateway IP address: 192.168.0.100
Operating conditions	
Ambient temperature [°C]	-20...60
Storage temperature [°C]	-20...85
Protection	IP 67
Tests / approvals	
Shock resistance	IEC 60068-2-27 15 g 11 ms
Vibration resistance	IEC 60068-2-6 ±1.6 mm (17...18 Hz) / 2 g (10...150 Hz)
MTTF [years]	101.69

# DTE100



## RFID evaluation unit LF/HF

DTELF/HFABRWDPUS00

### Mechanical data

Weight	[g]	390
Dimensions	[mm]	115 x 46.2 x 85
Material		Upper part: PA Grivory GV5H orange; Upper part: TPE; lower part: GD-ALSi12

### Displays / operating elements

Display	voltage supply	1 x LED, green
		1 x LED, yellow
	Profibus-DP	1 x LED, red
		1 x LED, green
	Ethernet	1 x LED, green
		1 x LED, yellow
	Inputs / outputs	1 x LED, green
		1 x LED, yellow

### Accessories

Items supplied	Protective cap: M12, E73004
----------------	-----------------------------

### Remarks

Pack quantity	1 pcs.
---------------	--------

### Electrical connection - Profibus IN

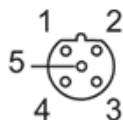
Connector: M12; coding: B



1	n.c.
2	RxD/TxD-N
3	n.c.
4	RxD/TxD-P

### Electrical connection - Profibus OUT

Connector: M12; coding: B



1	P5V
2	RxD/TxD-N
3	DGND
4	RxD/TxD-P
5	n.c.

# DTE100

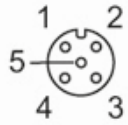


## RFID evaluation unit LF/HF

DTELF/HFABRWDPUS00

### Electrical connection - voltage supply

Connector: M12; coding: A



1	24 V DC
2	n.c.
3	0 V
4	n.c.
5	n.c.