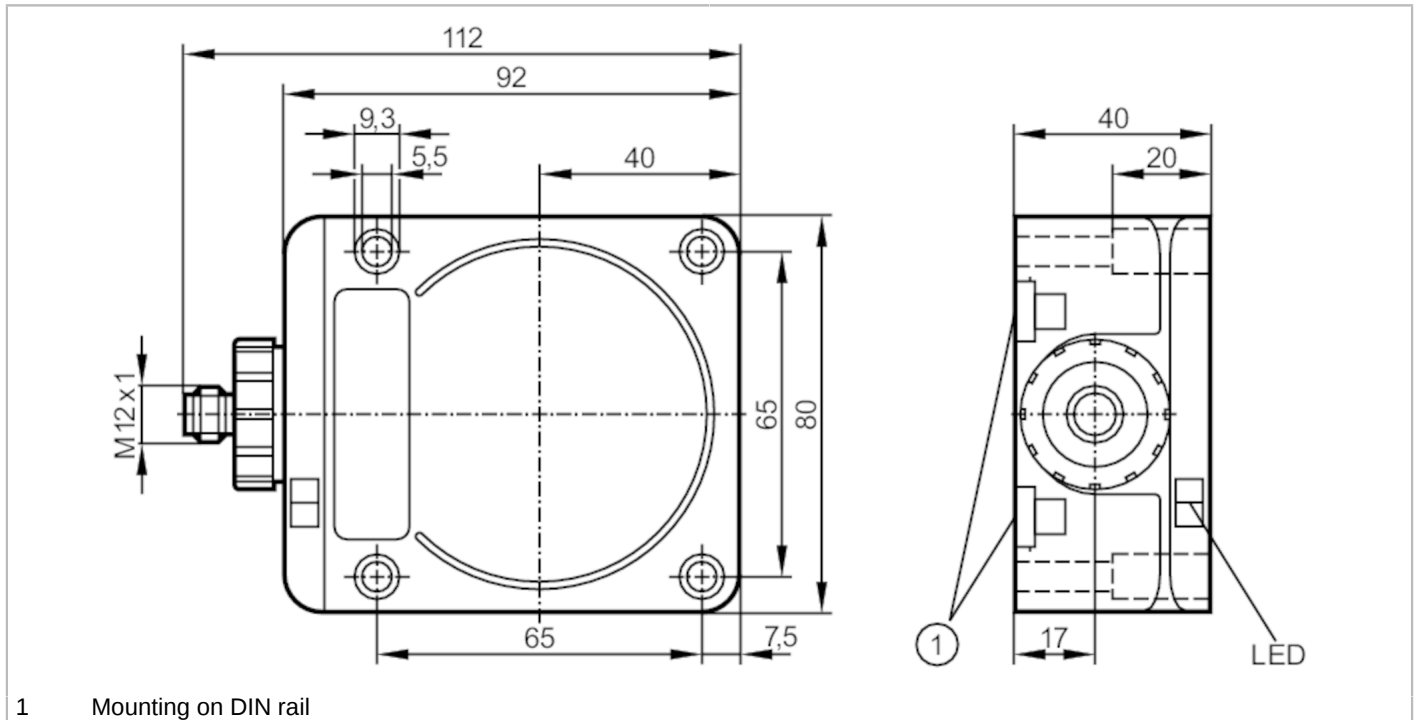


DTA300



RFID read/write antenna with AS-Interface

DTSLF DCRWASUS01



Application	
Application	Detection of objects on transport equipment
Radio approval for	USA; Canada; EU/RED; Australia; Singapore; China
Note on radio approval	The list of countries applying the European Radio Equipment Directive 2014/53/EU (RED) can be found under "Downloads".
Electrical data	
Operating voltage [V]	26.5...31.6 DC
Current consumption [mA]	< 65
Protection class	III
Operating frequency [MHz]	0,125
Outputs	
Electrical design	AS-i
Monitoring range	
Travel speed [m/s]	< 0.5
Distance read/read head front	400
Distance read/read head side	280
Note on distance read/read head	based on : Read/write antenna : DTA300 Read head : DTA301
Distance write/read head front [mm]	500
Distance write/read head side [mm]	500
Note on distance write/read head	based on : Read/write antenna : DTA300 Read head : DTA301

DTA300



RFID read/write antenna with AS-Interface

DTSLF DCRWASUS01

Distance to the ID tag	[mm]	Reading static	:	≤ 80
------------------------	------	----------------	---	------

Interfaces

Communication interface	AS-i
-------------------------	------

Operating conditions

Ambient temperature	[°C]	-20...60
Storage temperature	[°C]	-25...80
Protection		IP 67

Tests / approvals

EMC	EN 50295	1999-03
Shock resistance	EN 60068-2-29	40 g 6 ms
	EN 60068-2-27	50 g 11 ms
Vibration resistance	EN 60068-2-6	20 g 10...55 Hz
MTTF	[years]	422

AS-i classification

AS-i I/O configuration	[hex]	7
AS-i ID code	[hex]	4
AS-i certificate		83401

Mechanical data

Weight	[g]	414
Housing		rectangular
Dimensions	[mm]	92 x 80 x 40
Material		housing: PPE; metal parts: diecast zinc / brass nickel-plated

Displays / operating elements

Display	Operating voltage	1 x LED, green
	tag communication	1 x LED, yellow
	error in AS-i data communication	1 x LED, red

Remarks

Remarks	For the distances to other ID tags see the respective data sheet (E803xx)
Pack quantity	1 pcs.

Electrical connection

Connector: 1 x M12, rotatable; coding: A



DTA300



RFID read/write antenna with AS-Interface

DTSLF DCRWASUS01

Connection

