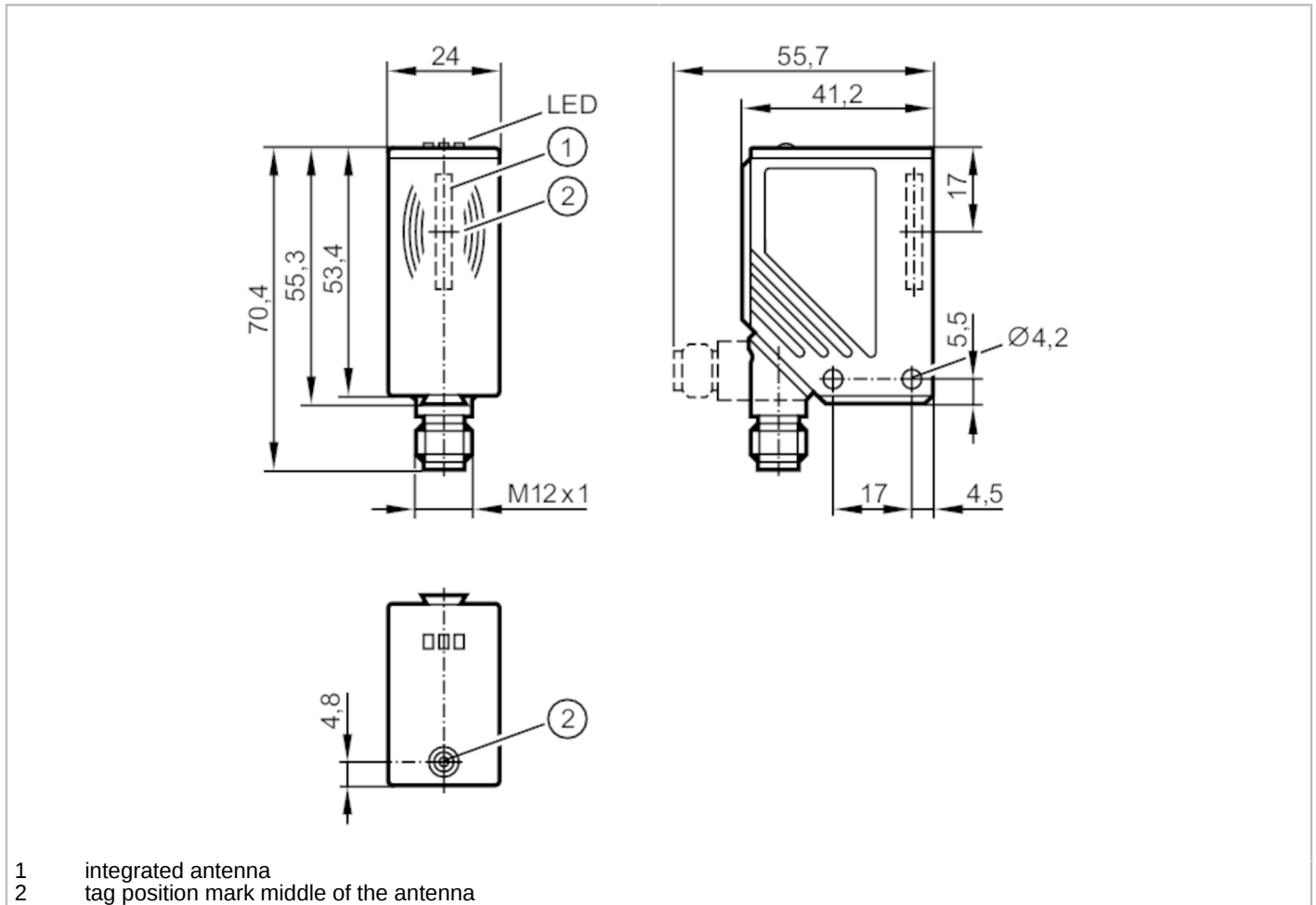


# DTA100



## RFID read/write antenna with AS-Interface

DTSLF AARWASUS01



Application	
Application	Detection of objects on transport equipment
Radio approval for	USA; Canada; EU/RED; Australia; China
Note on radio approval	The list of countries applying the European Radio Equipment Directive 2014/53/EU (RED) can be found under "Downloads".
Electrical data	
Operating voltage [V]	26.5...31.6 DC; (cULus - Class 2 source required)
Current consumption [mA]	< 50
Protection class	III
Operating frequency [MHz]	0,125
Outputs	
Electrical design	AS-i
Monitoring range	
Travel speed [m/s]	< 0.5
Distance read/read head front	200
Distance read/read head side	200

# DTA100



## RFID read/write antenna with AS-Interface

DTSLF AARWASUS01

Note on distance read/read head	based on	:	
	Read/write antenna		DTA100
	Read head		DTA101
Distance write/read head front [mm]			400
Distance write/read head side [mm]			400
Note on distance write/read head	based on	:	
	Read/write antenna		DTA100
	Read head		DTA101
Distance to the ID tag [mm]	Reading static	:	≤ 20

### Interfaces

Communication interface	AS-i
-------------------------	------

### Operating conditions

Ambient temperature [°C]	-20...50
Storage temperature [°C]	-25...80
Protection	IP 67

### Tests / approvals

EMC	EN 50295	1999-03
Shock resistance	EN 60068-2-29	40 g 6 ms
	EN 60068-2-27	50 g 11 ms
Vibration resistance	EN 60068-2-6	20 g 10...2000 Hz
MTTF [years]		422

### AS-i classification

AS-i I/O configuration [hex]	7
AS-i ID code [hex]	4
AS-i certificate	71501

### Mechanical data

Weight [g]	104.3
Housing	rectangular
Dimensions [mm]	55 x 24 x 41
Material	PA

### Displays / operating elements

Display	Operating voltage	1 x LED, green
	tag communication	1 x LED, yellow
	error in AS-i data communication	1 x LED, red

### Remarks

Remarks	For the distances to other ID tags see the respective data sheet (E803xx)
Pack quantity	1 pcs.

# DTA100



## RFID read/write antenna with AS-Interface

DTSLF AARWASUS01

### Electrical connection

Connector: 1 x M12; coding: A



### Connection

