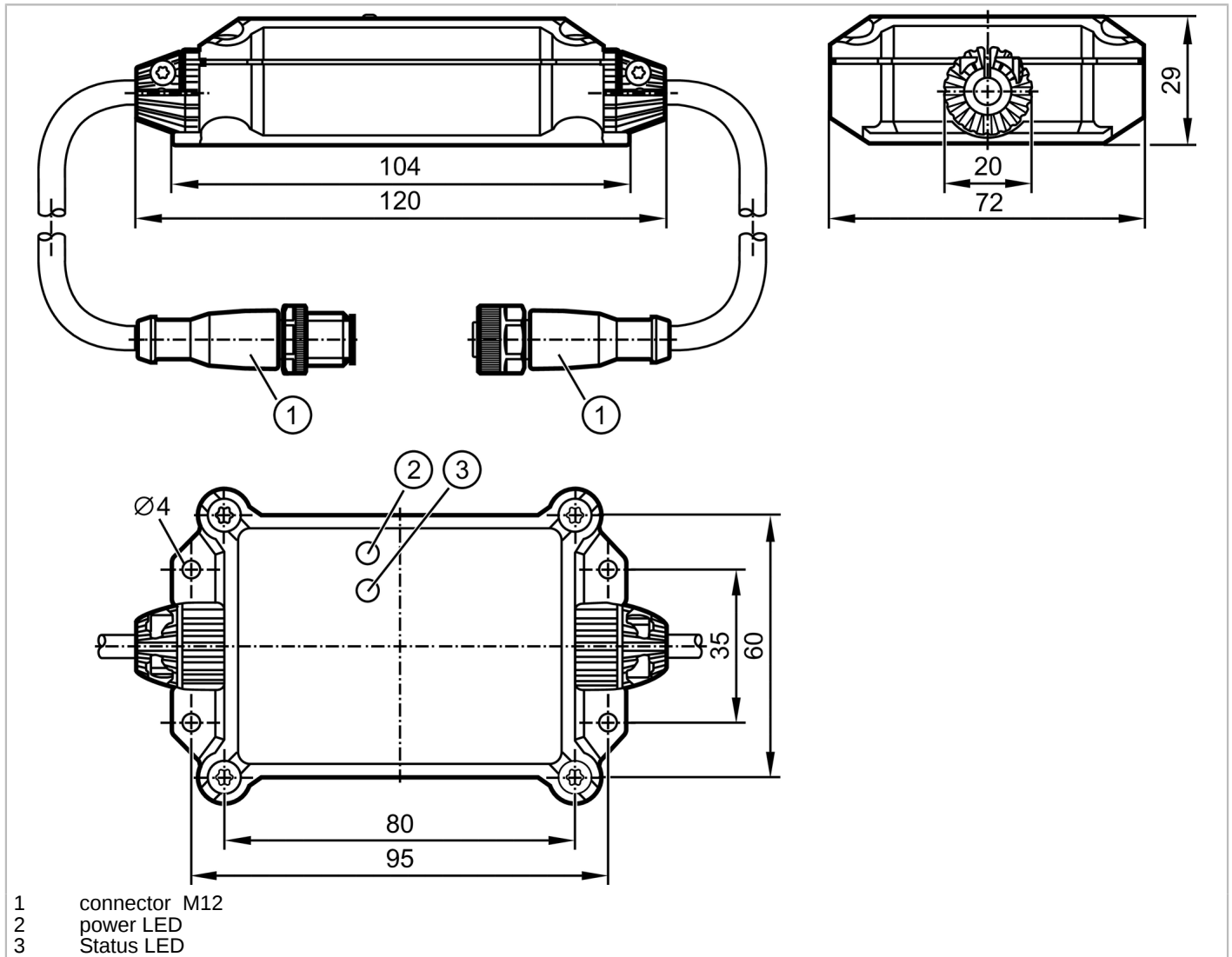


CR3121



ISOBUS gateway

ISOBUS Gateway/VT



Electrical data

Operating voltage	[V]	12...27 DC
Current consumption	[mA]	11...48

Interfaces

Communication interface	CAN
Number of CAN interfaces	2

CAN

Transmission rate	250 (125...1000) kBaud
Interface	CAN Interface 2.0 A/B ISO 11898
Terminating resistor	yes; (internal ; 120 Ohm; cannot be deactivated)

ISOBUS

Transmission rate	250 kBaud
Interface	CAN Interface ISO 11783
Terminating resistor	no



ISOBUS gateway

ISOBUS Gateway/VT

Operating conditions		
Ambient temperature	[°C]	-40...80
Protection		IP 67
Mechanical data		
Weight	[g]	190.1
Type of mounting		panel/surf.
Dimensions	[mm]	72 x 104 x 29
Material		housing: PA 12 black
Displays / operating elements		
Display	status	1 x LED, green/red
	supply voltage	1 x LED, green/red
Hardware		
Processor		ARM Cortex M4 32 bit
Program memory		1,5 MB Flash
Working memory		RAM: 320 kB FRAM: 16 kB
Remarks		
Pack quantity		1 pcs.
Electrical connection - CAN		
Connector: 1 x M12; coding: A		
1	n.c.	
2	n.c.	
3	n.c.	
4	CAN_H	
5	CAN_L	
Electrical connection - ISOBUS		
Connector: 1 x M12; coding: A		
1	n.c.	
2	VBB	
3	GND	
4	CAN_H	
5	CAN_L	