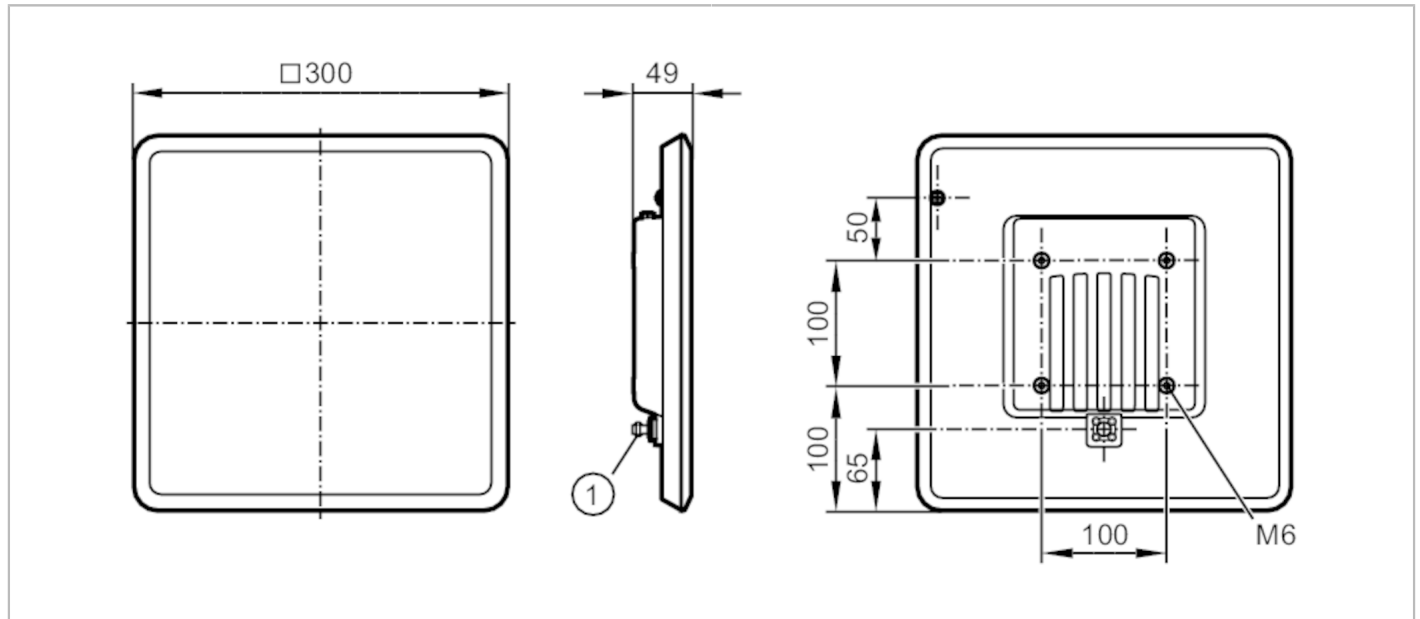


ANT960



RFID UHF antenna

DTRUHFA_AERWKOTN04



Electrical data		
Max. input power	[mW]	1000
Operating frequency	[MHz]	902...928 (FCC)
Antenna connections		1; (TNC socket)
Polarization		circular
Transmission power ERP	[mW]	3981
Antenna gain	[dB]	8.5
Impedance	[Ω]	50
Monitoring range		
Angle of aperture	[°]	65
Operating conditions		
Ambient temperature	[°C]	-40...70
Storage temperature	[°C]	-40...85
Protection		IP 67
Mechanical data		
Weight	[g]	2406.5
Housing		rectangular
Dimensions	[mm]	300 x 300 x 79
Material		housing: aluminum; TNC socket: brass / PTFE; Protective cover: plastics;
Remarks		
Pack quantity		1 pcs.