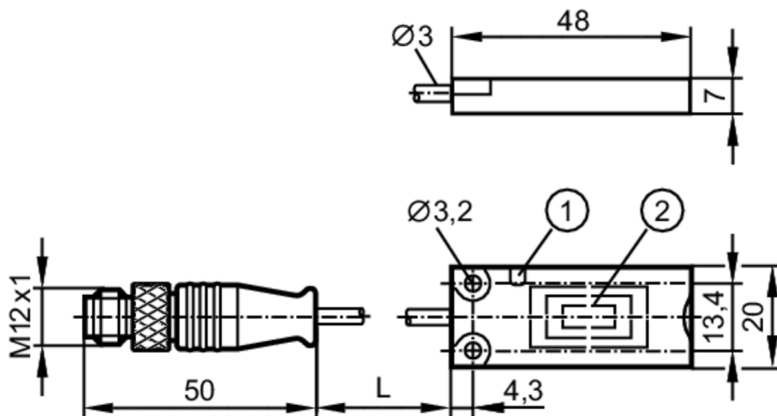


ANT515



RFID read/write head HF

DTRHF KQRWIDUS03-



- 1 LED
- 2 sensing face



Application	
Application	Detection of objects on transport equipment
Radio approval for	USA; Canada; EU/RED; Australia; Japan; China; Taiwan; India; Singapore; Ukraine; Malaysia; Brazil; Mexico; Vietnam
Note on radio approval	The list of countries applying the European Radio Equipment Directive 2014/53/EU (RED) can be found under "Downloads".
Electrical data	
Operating voltage [V]	19.2...28.8 DC
Current consumption [mA]	< 60
Protection class	III
Operating frequency [MHz]	13,56
RFID standard	ISO 15693
Monitoring range	
Distance write/read head front [mm]	170
Distance write/read head side [mm]	160
Distance to the ID tag [mm]	referred to 30 mm coin tag and antenna installed on metal, I-CODE SLI : ≤ 32
Interfaces	
Communication interface	DATA / DTE10x
Operating conditions	
Ambient temperature [°C]	-20...60
Storage temperature [°C]	-25...80
Protection	IP 67; IP 69K
Tests / approvals	
Shock resistance	EN 60068-2-27 50 g 11 ms / 40 g (6 ms, continuous)
Vibration resistance	EN 60068-2-6 20 g 10...2000 Hz
MTTF [years]	457.9

ANT515



RFID read/write head HF

DTRHF KQRWIDUS03-

UL approval	Ta	-20...60 °C
	Enclosure type	Type 1
	voltage supply	Limited Voltage/Current
	File number UL	E205959

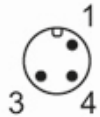
Mechanical data	
Weight [g]	80
Housing	rectangular
Mounting	non-flush mountable
Dimensions [mm]	20 x 7 x 48
Material	PBT; TPE-U; stainless steel

Displays / operating elements		
Display	Power tag communication	1 x LED, green 1 x LED, yellow

Remarks	
Pack quantity	1 pcs.

Electrical connection	
Cable: 1 m, PUR; 3 x 0.14 mm ²	

Electrical connection - plug	
Connector: 1 x M12; coding: A	



Connection

