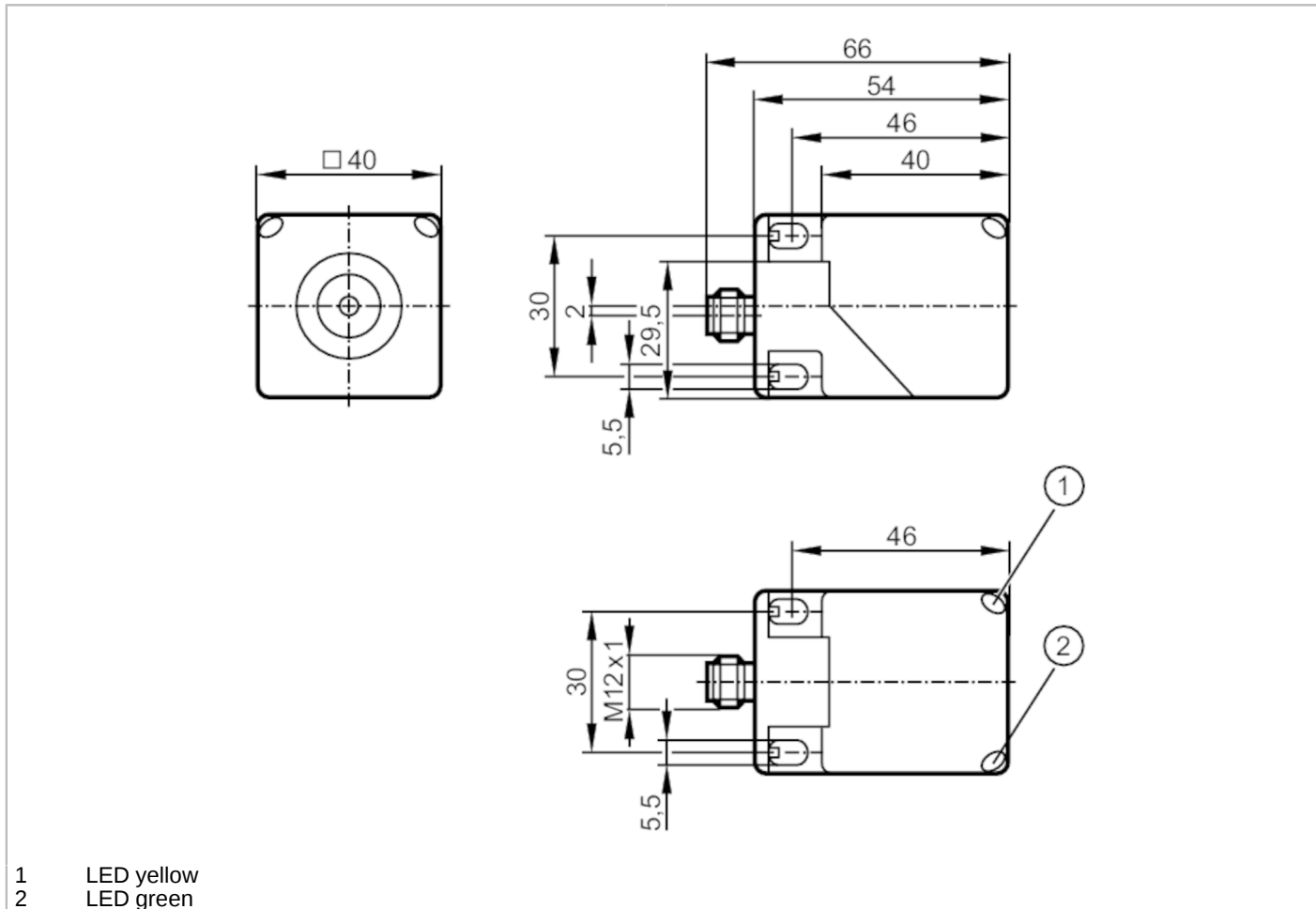


# ANT513



## RFID read/write head HF

DTRHF MCRWIDUS03



Application	
Application	Detection of objects on transport equipment
Radio approval for	USA; Canada; EU/RED; Australia; Japan; China; Taiwan; India; South Korea; Singapore; Ukraine; Malaysia; Brazil; Mexico; New Zealand; Vietnam
Note on radio approval	The list of countries applying the European Radio Equipment Directive 2014/53/EU (RED) can be found under "Downloads".
Electrical data	
Operating voltage [V]	24 DC
Current consumption [mA]	< 50
Protection class	III
Operating frequency [MHz]	13,56
RFID standard	ISO 15693
Monitoring range	
Travel speed [m/s]	< 1
Distance write/read head front [mm]	250
Distance write/read head side [mm]	300

# ANT513



## RFID read/write head HF

DTRHF MCRWIDUS03

Distance to the ID tag [mm]	Reading	:	≤ 60
	static		
	Writing	:	≤ 60
	static		
	reference tag	:	E80370

### Interfaces

Communication interface	DATA / DTE10x
-------------------------	---------------

### Operating conditions

Ambient temperature [°C]	-20...60
Storage temperature [°C]	-25...80
Protection	IP 67; IP 69K

### Tests / approvals

Shock resistance	EN 60068-2-29	40 g 6 ms
	EN 60068-2-27	50 g 11 ms
Vibration resistance	EN 60068-2-6	20 g 10...55 Hz
MTTF [years]		557

### Mechanical data

Weight [g]	165.55
Housing	rectangular
Sensing face	5 positions selectable
Mounting	flush mountable
Dimensions [mm]	40 x 40 x 54
Material	housing: PA; metal parts: stainless steel

### Displays / operating elements

Display	Power	1 x LED, green
	tag communication	1 x LED, yellow

### Remarks

Remarks	For the distances to other ID tags see the respective data sheet (E803xx)
Pack quantity	1 pcs.

### Electrical connection

Connector: 1 x M12, rotatable, locking; coding: A



# ANT513



## RFID read/write head HF

DTRHF MCRWIDUS03

### Connection

