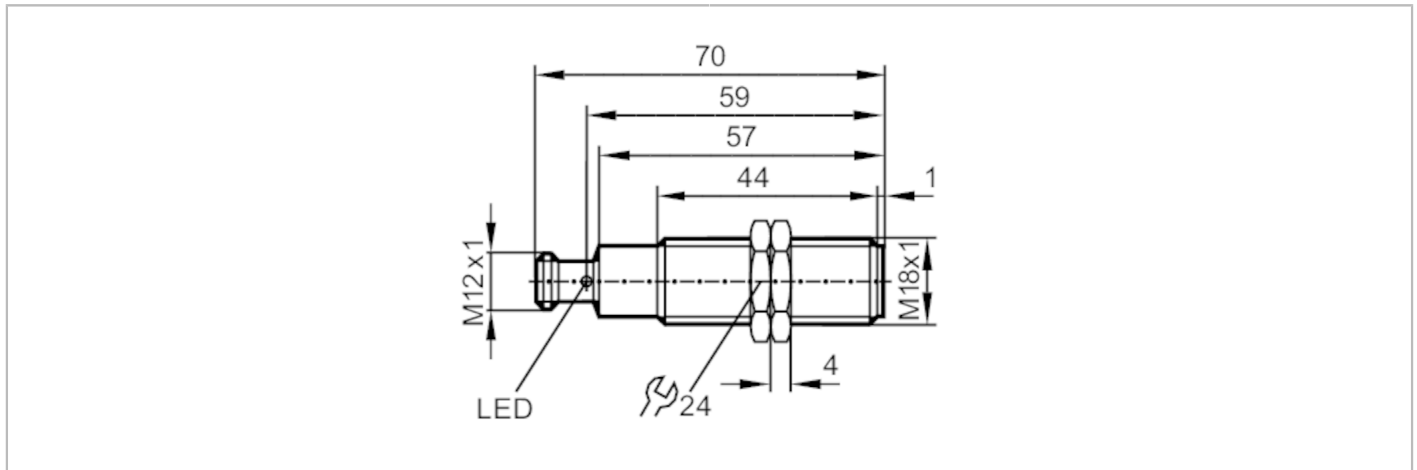


ANT424



RFID read/write head HF

DTRHF GBRWIDUS03



Application		
Application	Detection of objects on transport equipment	
Radio approval for	USA; Canada; EU/RED; Australia; Japan; China; Taiwan; India; Singapore; Ukraine	
Note on radio approval	The list of countries applying the European Radio Equipment Directive 2014/53/EU (RED) can be found under "Downloads".	
Electrical data		
Operating voltage [V]	19.2...28.8 DC; (Supply only via the DTE10x evaluation unit (to EN 60950-1))	
Current consumption [mA]	< 50	
Protection class	III	
Operating frequency [MHz]	13,56	
RFID standard	ISO 15693	
Monitoring range		
Distance write/read head front [mm]	100	
Distance write/read head side [mm]	60	
Distance to the ID tag [mm]		≤ 16
Interfaces		
Communication interface	DATA / DTE10x	
Operating conditions		
Ambient temperature [°C]	-20...60	
Storage temperature [°C]	-25...80	
Protection	IP 67; IP 69K	
Tests / approvals		
Shock resistance	EN 60068-2-27	50 g 11 ms / 40 g (6 ms, continuous)
Vibration resistance	EN 60068-2-6	20 g 10...2000 Hz
Mechanical data		
Weight [g]	108.85	
Housing	tubular	
Mounting	flush mountable	
Dimensions [mm]	M18 x 1 / L = 70	

ANT424



RFID read/write head HF

DTRHF GBRWIDUS03

Thread designation	M18 x 1
Material	housing: stainless steel; Protective cover: PPS; LED window: PEI

Displays / operating elements

Display	Power	1 x LED, green
	tag communication	1 x LED, yellow

Accessories

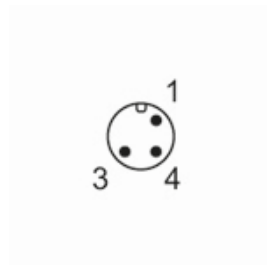
Items supplied	Nut 2 x M18 x 1
----------------	-----------------

Remarks

Pack quantity	1 pcs.
---------------	--------

Electrical connection

Connector: 1 x M12; coding: A



Connection

