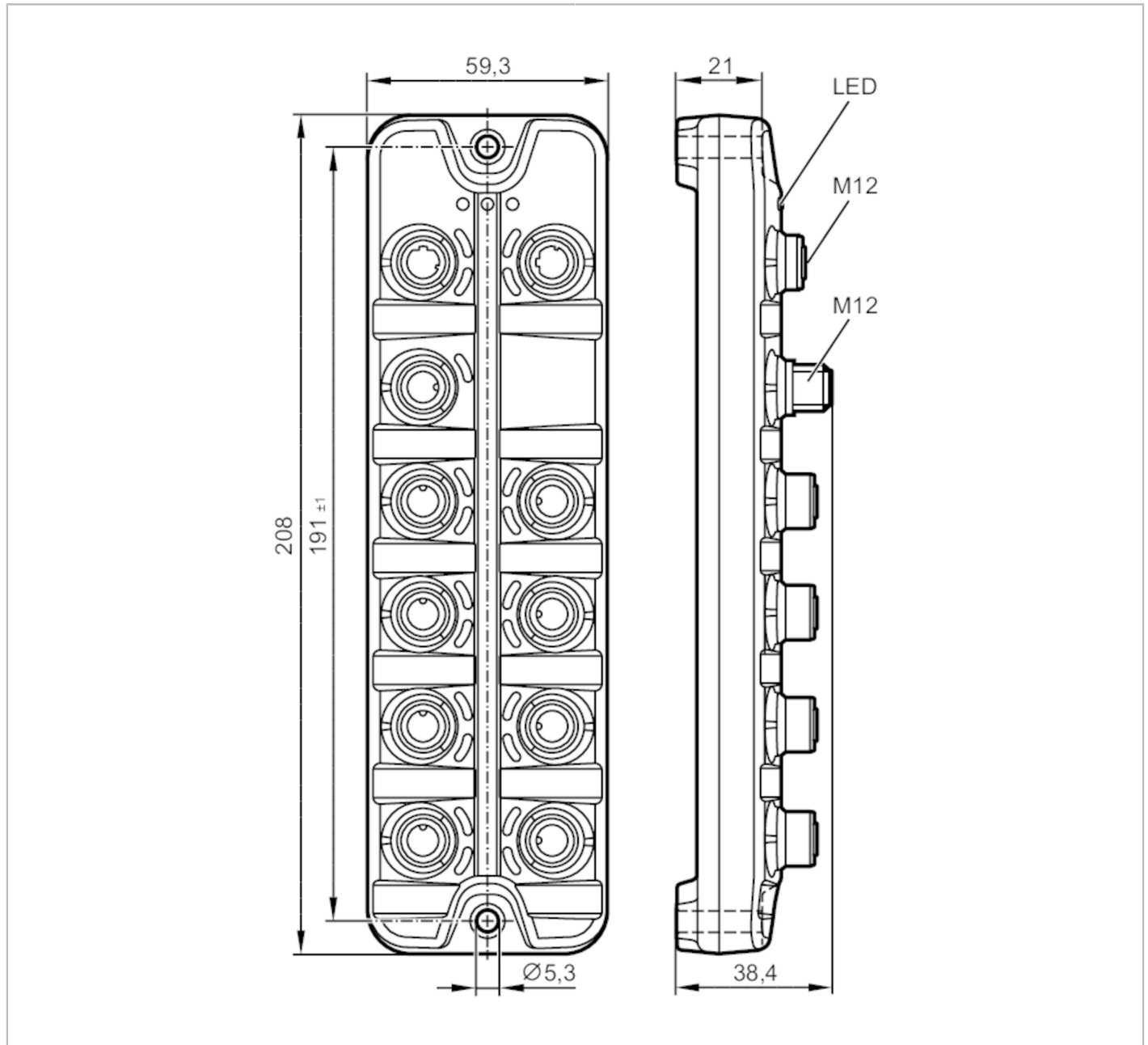


AL4042



Ethernet module with Modbus TCP interface

ETH Module SL MB 16DI IP67



Application	
Application	I/O modules for field applications
Daisy-chain function	fieldbus interface
Electrical data	
Operating voltage [V]	20...30 DC; (US ; to SELV/PELV)
Current consumption [mA]	200...3900; (US)
Protection class	III
Sensor supply US	
Max. current load total [A]	3.6



Ethernet module with Modbus TCP interface

ETH Module SL MB 16DI IP67

Inputs / outputs		
Number of inputs and outputs	Number of digital inputs: 16	
Inputs		
Number of digital inputs	16; (type 2 according to IEC 61131-2)	
Switching level high [V]	11...30	
Switching level low [V]	0...5	
Digital inputs protected against short circuits	yes	
Software / programming		
Parameter setting options	Counter function	
Functions and parameters	Function	CTU (Up Counter), CTD (Down Counter), CTUD (Up-Down Counter), CTDIR (Direction Counter)
	number	8 (1 counter for each port)
	count frequency	4500 Hz
	main counter	32 Bit (0...4.294.967.295)
	batch counter	16 Bit (0...65.535)
Interfaces		
Communication interface	Ethernet	
Ethernet - Modbus TCP		
Transmission standard	10Base-T; 100Base-TX	
Transmission rate	10 MBit/s; 100 MBit/s	
Protocol	Modbus TCP	
Factory settings	IP address: 192.168.1.250	
	subnet mask: 255.255.255.0	
	gateway IP address: 0.0.0.0	
	MAC address: see type label	
Operating conditions		
Ambient temperature [°C]	-25...60	
Storage temperature [°C]	-25...85	
Max. relative air humidity [%]	90	
Protection	IP 65; IP 66; IP 67	
Protection rating (NEMA 250)	6P	
Degree of soiling	2	
Chemical media	ISO 16750-5	AA, BA, BD, HLP, CC, DB, DC, DD, CA
	NEMA 250 5.13.1	AA
Tests / approvals		
EMC	EN 61000-6-2	
	EN 61000-6-4	
Shock resistance	DIN EN 60068-2-27	
Vibration resistance	DIN EN 60068-2-64 2009-04	
	DIN EN 60068-2-6 2008-10	
Mechanical data		
Weight [g]	406.2	
Material	housing: PA orange; Socket: brass nickel-plated	
Sealing material	FKM	



Ethernet module with Modbus TCP interface

ETH Module SL MB 16DI IP67

Remarks

Remarks	Further information is available in the manual.
Pack quantity	1 pcs.

Electrical connection - Ethernet

Connector: M12; coding: D; sealing: FKM

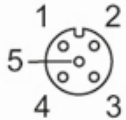


IN / OUT X21, X22

1	TX +
2	RX +
3	TX -
4	RX -
5	not used

Electrical connection - Process connection

Connector: M12; coding: A; sealing: FKM



Digital Input X01...X08

1	Sensor supply (US) L+
2	Digital input 2
3	Sensor supply (US) L-
4	Digital input 1
5	functional earth

Electrical connection - voltage supply

Connector: M12; coding: A



X31

1	+ 24 V DC (US)
2	not used
3	GND (US)
4	not used