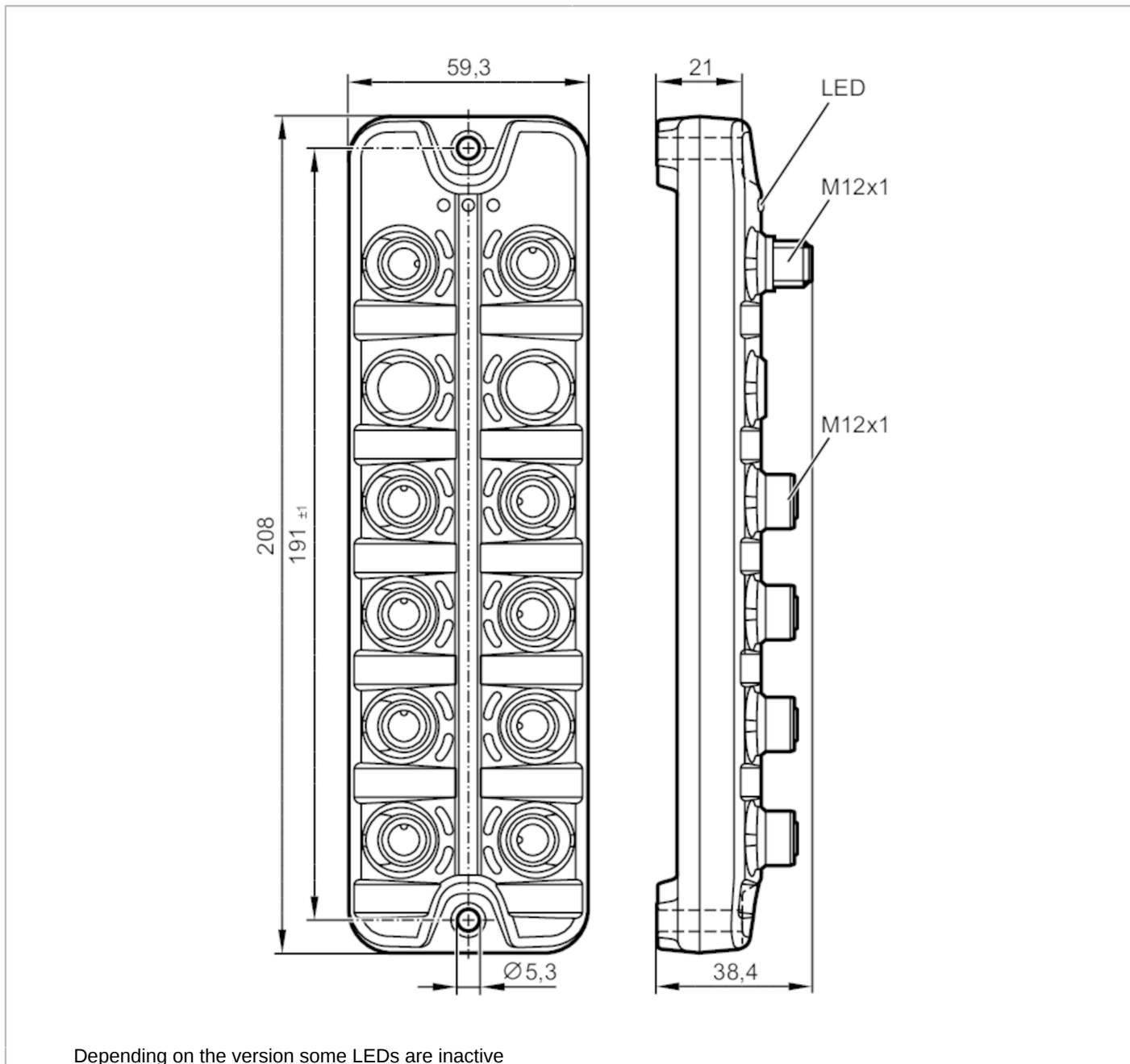


# AL2325



## IO-Link input/output module

IOL MOD SL 8XDX/DX E M12 IP67



Depending on the version some LEDs are inactive



Electrical data	
Operating voltage [V]	18...30 DC
Current consumption [mA]	100; (US)
Protection class	III
Additional voltage supply [V]	18...30 DC; (UA UAi)
Max. current consumption from additional supply [mA]	4000; (UA; UAi: 400 mA)
Inputs / outputs	
Total number of inputs and outputs	16

# AL2325



## IO-Link input/output module

IOL MOD SL 8XD/DX E M12 IP67

Number of inputs and outputs Number of digital inputs: 16; Number of digital outputs: 16

Inputs	
Number of digital inputs	16; (configurable)
Input circuit of digital inputs	PNP; (type 3 (IEC 61131-2))
Sensor supply of the inputs	AUX (UA, UAi)
Voltage supply [V]	18...30
Input current High [mA]	2...15
Input current low [mA]	0...1.5
Switching level high [V]	11...28
Switching level low [V]	0...5

Outputs	
Number of digital outputs	16; (configurable)
Max. current load per output [mA]	1800
Max. current load outputs total [A]	3.6; (max. current load per segment: 1800 mA)
Short-circuit protection	yes
Actuator supply outputs	AUX (UA)

Interfaces					
Communication interface	IO-Link				
SDCI standard	IEC 61131-9				
Transmission type	COM3 (230,4 kBaud)				
IO-Link revision	1.1				
SIO mode	no				
Required master port class	A				
Min. process cycle time [ms]	4				
Supported DeviceIDs	<table border="1"> <thead> <tr> <th>Type of operation</th> <th>DeviceID</th> </tr> </thead> <tbody> <tr> <td>default</td> <td>1314</td> </tr> </tbody> </table>	Type of operation	DeviceID	default	1314
Type of operation	DeviceID				
default	1314				
Note	For further information please see the IODD PDF file at "Downloads"				

Operating conditions					
Ambient temperature [°C]	-25...60				
Storage temperature [°C]	-25...70				
Max. relative air humidity [%]	90				
Max. height above sea level [m]	2000				
Protection	IP 65; IP 67				
Protection rating (NEMA 250)	6P				
Degree of soiling	2				
Chemical media	<table border="1"> <tbody> <tr> <td>ISO 16750-5</td> <td>AA, BA, BD, HLP, CC, DB, DC, DD, CA</td> </tr> <tr> <td>NEMA 250 5.13.1</td> <td>AA</td> </tr> </tbody> </table>	ISO 16750-5	AA, BA, BD, HLP, CC, DB, DC, DD, CA	NEMA 250 5.13.1	AA
ISO 16750-5	AA, BA, BD, HLP, CC, DB, DC, DD, CA				
NEMA 250 5.13.1	AA				

Tests / approvals	
EMC	EN 61000-6-2
	EN 61000-6-3
	IEC 61131-9
Shock resistance	DIN EN 60068-2-27
Vibration resistance	DIN EN 60068-2-64
	DIN EN 60068-2-6

# AL2325



## IO-Link input/output module

IOL MOD SL 8XDX/DX E M12 IP67

MTTF	[years]	46
------	---------	----

### Mechanical data

Weight	[g]	392.7
Dimensions	[mm]	26 x 59.3 x 208
Material		housing: PA orange; Socket: brass nickel-plated
Sealing material		FKM

### Displays / operating elements

Display	Power	1 x LED, green
	fault	1 x LED, red
	Function	1 x LED, yellow

### Accessories

Accessories (optional)	protective cap for M12 sockets
------------------------	--------------------------------

### Remarks

Pack quantity	1 pcs.
---------------	--------

### Electrical connection - AUX

Connector: 1 x M12; coding: A



### X31

1	+ 24 V DC (UAi)
2	GND (UA/UAi)
3	not used
4	+ 24 V DC (UA)

### Electrical connection - IO-Link

Connector: 1 x M12; coding: A



### X1

1	+ 24 V DC (US)
2	not used
3	GND (US)
4	IO-Link

# AL2325

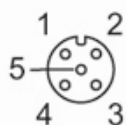


## IO-Link input/output module

IOL MOD SL 8XDX/DX E M12 IP67

### Electrical connection - inputs / outputs

Connector: 8 x M12; coding: A; sealing: FKM



#### X1.0...X1.7

1	+ 24 V DC (UA/UAi)
2	I/O2
3	GND (UA/UAi)
4	I/O1
5	not used