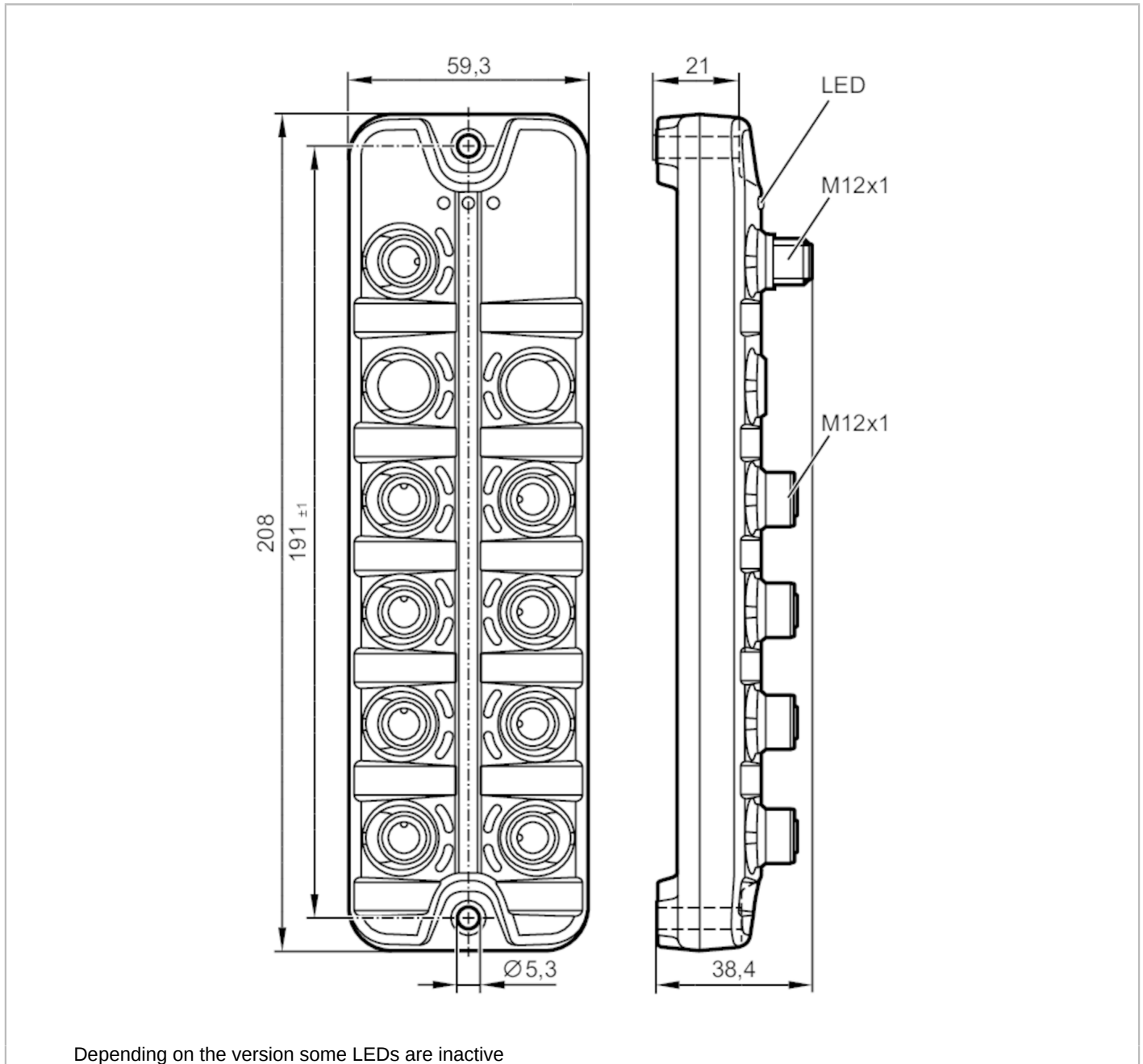


AL2321



IO-Link input/output module

IOL MOD SL 8XDX/DX A M12 IP67



Depending on the version some LEDs are inactive



Electrical data	
Operating voltage [V]	18...30 DC
Current consumption [mA]	1100; (US)
Protection class	III
Inputs / outputs	
Total number of inputs and outputs	16
Number of inputs and outputs	Number of digital inputs: 16; Number of digital outputs: 16
Inputs	
Number of digital inputs	16; (configurable)

AL2321



IO-Link input/output module

IOL MOD SL 8XDX/DX A M12 IP67

Input circuit of digital inputs	PNP; (type 3 (IEC 61131-2))
Sensor supply of the inputs	US
Voltage supply [V]	18...30
Input current High [mA]	2...15
Input current low [mA]	0...1.5
Switching level high [V]	11...28
Switching level low [V]	0...5

Outputs

Number of digital outputs	16; (configurable)
Max. current load per output [mA]	1000
Max. current load outputs total [A]	1
Short-circuit protection	yes
Actuator supply outputs	US

Interfaces

Communication interface	IO-Link
SDCI standard	IEC 61131-9
Transmission type	COM3 (230,4 kBaud)
IO-Link revision	1.1
SIO mode	no
Required master port class	A
Min. process cycle time [ms]	4

Supported DeviceIDs	Type of operation	DeviceID
	default	1314

Note For further information please see the IODD PDF file at "Downloads"

Operating conditions

Ambient temperature [°C]	-25...60
Storage temperature [°C]	-25...70
Max. relative air humidity [%]	90
Max. height above sea level [m]	2000
Protection	IP 65; IP 67
Protection rating (NEMA 250)	6P
Degree of soiling	2
Chemical media	ISO 16750-5 AA, BA, BD, HLP, CC, DB, DC, DD, CA NEMA 250 5.13.1 AA

Tests / approvals

EMC	EN 61000-6-2	
	EN 61000-6-3	
	IEC 61131-9	
Shock resistance	DIN EN 60068-2-27	
	DIN EN 60068-2-64	
Vibration resistance	DIN EN 60068-2-64	
	DIN EN 60068-2-6	
MTTF [years]	46	

Mechanical data

Weight [g]	435.932
------------	---------

AL2321



IO-Link input/output module

IOL MOD SL 8XDX/DX A M12 IP67

Dimensions [mm]	26 x 59.3 x 208
Material	housing: PA orange; Socket: brass nickel-plated
Sealing material	FKM

Displays / operating elements		
Display	Power	1 x LED, green
	fault	1 x LED, red
	Function	1 x LED, yellow

Accessories	
Accessories (optional)	protective cap for M12 sockets

Remarks	
Pack quantity	1 pcs.

Electrical connection - IO-Link

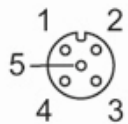
Connector: 1 x M12; coding: A



X1	
1	+ 24 V DC (US)
2	not used
3	GND (US)
4	IO-Link

Electrical connection - inputs / outputs

Connector: 8 x M12; coding: A; sealing: FKM



X1.0...X1.7	
1	+ 24 V DC (US)
2	I/O2
3	GND (US)
4	I/O1
5	not used