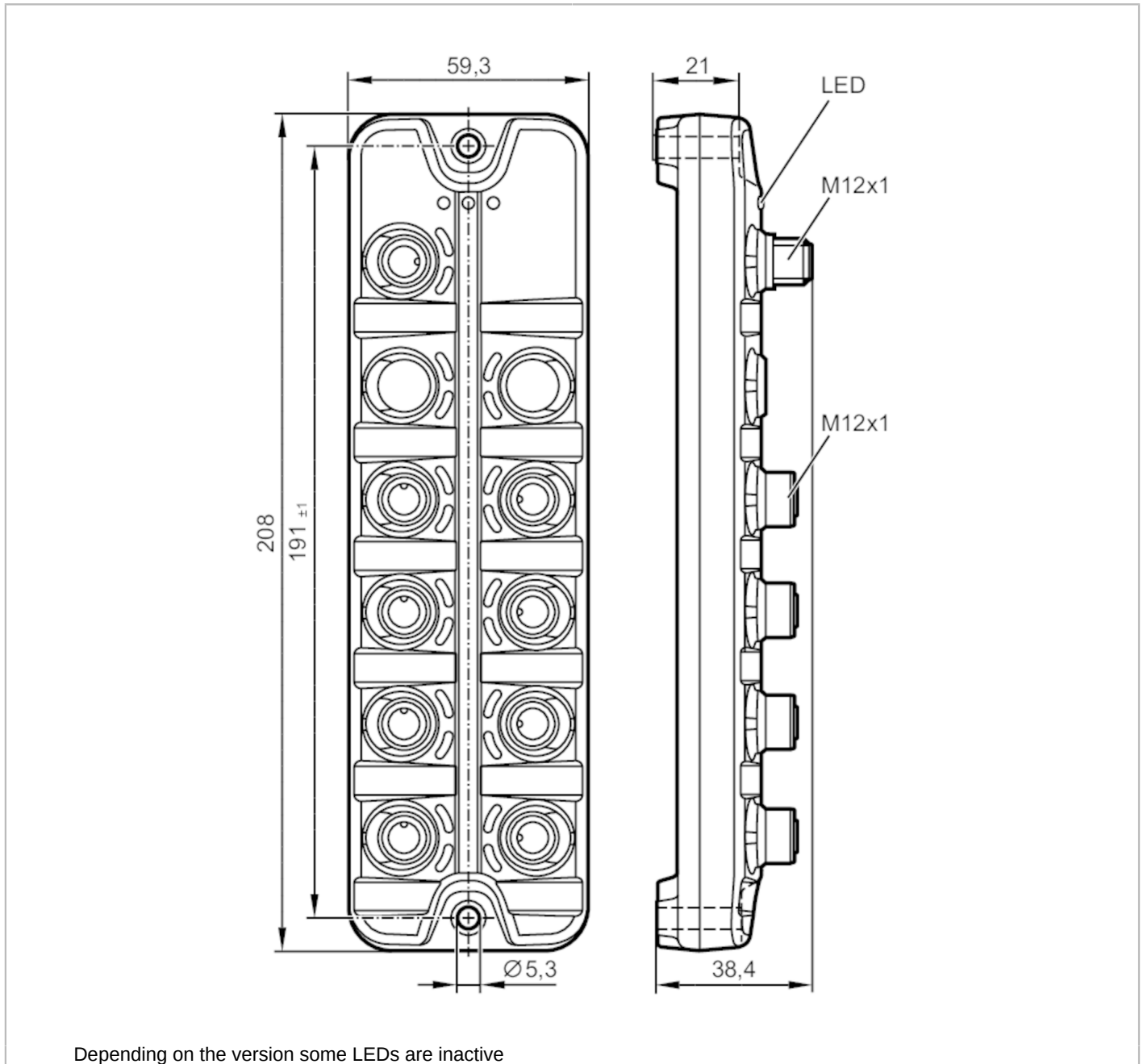


AL2301



IO-Link input/output module

IOL MOD SL 8XMP/DX A M12 IP67



Electrical data	
Operating voltage [V]	18...30 DC
Current consumption [mA]	1100; (US)
Protection class	III
Inputs / outputs	
Total number of inputs and outputs	16; (configurable)
Number of inputs and outputs	Number of digital inputs: 16; Number of analog inputs: 8; Number of digital outputs: 16
Inputs	
Number of digital inputs	16; (configurable)

AL2301



IO-Link input/output module

IOL MOD SL 8XMP/DX A M12 IP67

Input circuit of digital inputs		PNP; (type 3 (IEC 61131-2))
Sensor supply of the inputs		US
Voltage supply	[V]	18...30
Input current High	[mA]	2...15
Input current low	[mA]	0...1.5
Switching level high	[V]	11...28
Switching level low	[V]	0...5
Number of analog inputs		8; (configurable current/voltage input)
Analog input (current)	[mA]	4...20
Analog input (voltage)	[V]	0...10
Resolution of analog input		16 Bit

Outputs

Number of digital outputs		16; (configurable)
Max. current load per output	[mA]	1000
Max. current load outputs total	[A]	1
Short-circuit protection		yes
Actuator supply outputs		US

Interfaces

Communication interface		IO-Link
SDCI standard		IEC 61131-9
Transmission type		COM3 (230,4 kBaud)
IO-Link revision		1.1
SIO mode		no
Required master port class		A
Min. process cycle time	[ms]	4
Supported DeviceIDs	Type of operation	DeviceID
	Acyclic parametrisation	1408
	Factory setting: parametrisation via Pdout	1407
Note	Parameterization can be changed from cyclical to acyclical. For further information please see the IODD PDF file at "Downloads"	

Operating conditions

Ambient temperature	[°C]	-25...60
Storage temperature	[°C]	-25...70
Max. relative air humidity	[%]	90
Max. height above sea level	[m]	2000
Protection		IP 65; IP 67
Protection rating (NEMA 250)		6P
Degree of soiling		2
Chemical media	ISO 16750-5	AA, BA, BD, HLP, CC, DB, DC, DD, CA
	NEMA 250 5.13.1	AA

Tests / approvals

EMC	EN 61000-6-2	
	EN 61000-6-3	
	IEC 61131-9	

AL2301



IO-Link input/output module

IOL MOD SL 8XMP/DX A M12 IP67

Shock resistance	DIN EN 60068-2-27	
Vibration resistance	DIN EN 60068-2-64	
	DIN EN 60068-2-6	

Mechanical data		
Weight	[g]	467.68
Dimensions	[mm]	26 x 59.3 x 208
Material		housing: PA orange; Socket: brass nickel-plated
Sealing material		FKM
Tightening torque	[Nm]	< 0.8

Displays / operating elements		
Display	Power	1 x LED, green
	fault	1 x LED, red
	Function	1 x LED, yellow

Accessories	
Accessories (optional)	protective cap for M12 sockets

Remarks	
Pack quantity	1 pcs.

Electrical connection - IO-Link

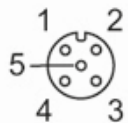
Connector: 1 x M12; coding: A



X1	
1	+ 24 V DC (US)
2	not used
3	GND (US)
4	IO-Link

Electrical connection - inputs / outputs

Connector: 8 x M12; coding: A; sealing: FKM



X1.0...X1.7	
1	Sensor supply + 24 V DC
2	multifunctional input I2 Digital output O2
3	GND
4	digital input/output I1/O1
5	not used