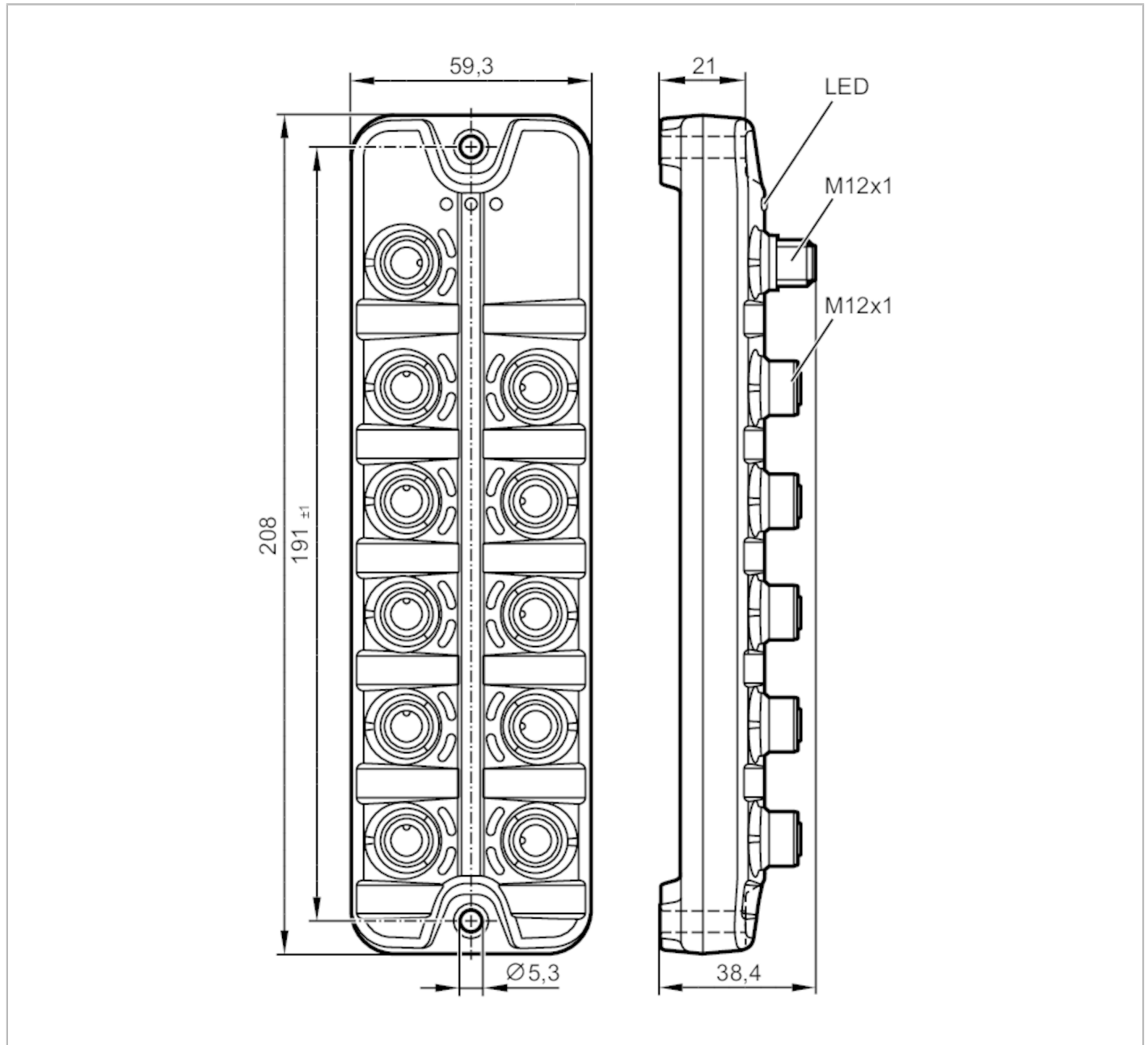


AL2241



IO-Link input module

IO-Link Module 10x2 DI M12 IP69K



Electrical data	
Operating voltage [V]	18...30 DC
Current consumption [mA]	100...1100; (US)
Protection class	III
Sensor supply US	
Current rating per port [A]	0.1
Inputs / outputs	
Number of inputs and outputs	Number of digital inputs: 20
Inputs	
Number of digital inputs	20; (10 x 2 PNP type 2 according to IEC 61131-2)

AL2241



IO-Link input module

IO-Link Module 10x2 DI M12 IP69K

Sensor supply of the inputs		IO-Link
Voltage supply	[V]	16...30

Interfaces

Communication interface		IO-Link
SDCI standard		IEC 61131-9
Transmission type		COM2 (38,4 kBaud)
IO-Link revision		1.1
SIO mode		no
Required master port class		A
Min. process cycle time	[ms]	4.3
Supported DeviceIDs	Type of operation	DeviceID
	default	940

Operating conditions

Ambient temperature	[°C]	-25...60
Storage temperature	[°C]	-25...70
Max. relative air humidity	[%]	90
Max. height above sea level	[m]	2000
Protection		IP 65; IP 67; IP 69K; (operation with stainless steel protective caps: IP 69K)
Protection rating (NEMA 250)		6P
Degree of soiling		2
Chemical media	ISO 16750-5	HLP, CC, DB, DC, DD, CA
	NEMA 250 5.13.1	AA

Tests / approvals

EMC	EN 61000-6-2	
	EN 61000-6-3	
	IEC 61131-9	
Shock resistance	DIN EN 60068-2-27	
Vibration resistance	DIN EN 60068-2-64	
	DIN EN 60068-2-6	
MTTF	[years]	140

Mechanical data

Weight	[g]	406
Material		housing: PA grey; Socket: stainless steel (1.4404 / 316L)
Sealing material		EPDM

Displays / operating elements

Display	Power	1 x LED, green
	fault	1 x LED, red
	Function	1 x LED, yellow

Accessories

Accessories (optional)	protective cap for M12 sockets
------------------------	--------------------------------

Remarks

Pack quantity	1 pcs.
---------------	--------



IO-Link input module

IO-Link Module 10x2 DI M12 IP69K

Electrical connection - IO-Link

Connector: 1 x M12; coding: A

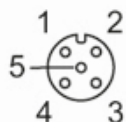


X1

1	+ 24 V DC (US)
2	not used
3	GND (US)
4	IO-Link

Electrical connection - Inputs

Connector: 10 x M12; coding: A; sealing: EPDM



X1.0...X1.9

1	Sensor supply + 24 V DC (US)
2	Digital input DI2
3	Sensor supply GND (US)
4	Digital input DI1
5	not used