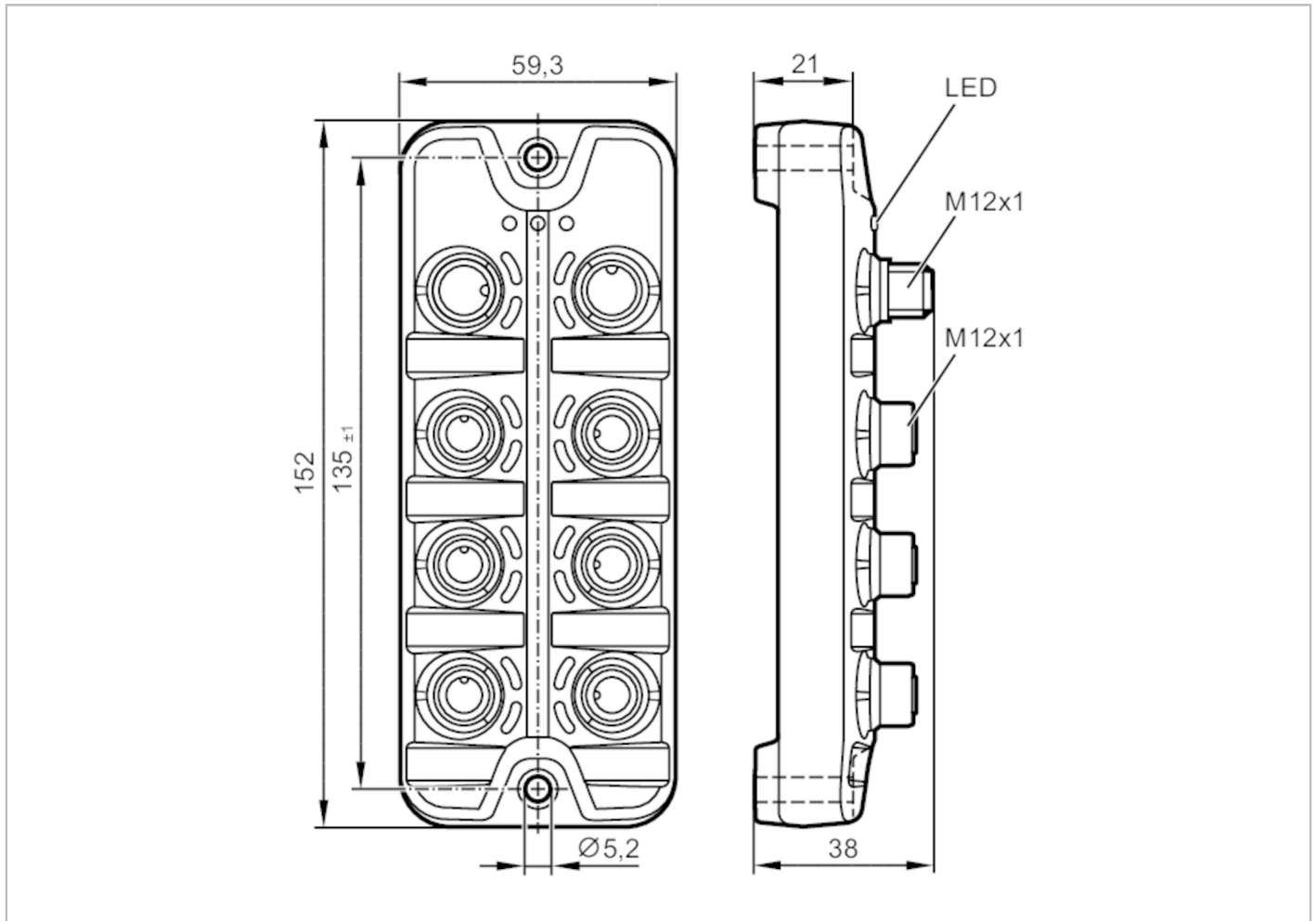


# AL2230



## IO-Link CompactLine module

IO-Link Module 6x2 DO M12 IP69K



Electrical data	
Operating voltage	[V] 18...30 DC; (US)
Current consumption	[mA] 50; (US)
Protection class	III
Additional voltage supply	[V] 18...28 DC; (UA)
Max. current consumption from additional supply	[mA] 3600; (UA)
Inputs / outputs	
Number of inputs and outputs	Number of digital outputs: 12
Outputs	
Number of digital outputs	12; (6 x 2)
Output function	PNP
Max. current load per output	[mA] 1800
Max. current load outputs total	[A] 3.6; (Max. current load per output side: 1800 mA)
Electrically separated	yes
Interfaces	
Communication interface	IO-Link

# AL2230



## IO-Link CompactLine module

IO-Link Module 6x2 DO M12 IP69K

Supported DeviceIDs	Type of operation	DeviceID
	default	893
<b>IO-Link Device</b>		
Transmission type	COM2 (38,4 kBaud)	
IO-Link revision	1.1	
SDCI standard	IEC 61131-9	
SIO mode	no	
Min. process cycle time [ms]	5.6	
<b>Operating conditions</b>		
Ambient temperature [°C]	-25...60	
Storage temperature [°C]	-25...70	
Max. relative air humidity [%]	90	
Max. height above sea level [m]	2000	
Protection	IP 65; IP 67; IP 69K; (operation with stainless steel protective caps: IP 69K)	
Protection rating (NEMA 250)	6P	
Degree of soiling	2	
Chemical media	ISO 16750-5	HLP, CC, DB, DC, DD, CA
	NEMA 250 5.13.1	AA
<b>Tests / approvals</b>		
EMC	DIN EN 61000-6-2	
	DIN EN 61000-6-3	
	DIN IEC 61131-9	
Shock resistance	DIN EN 60068-2-27	
Vibration resistance	DIN EN 60068-2-64	
	DIN EN 60068-2-6	
MTTF [years]	63	
<b>Mechanical data</b>		
Weight [g]	314	
Dimensions [mm]	26 x 59.3 x 152	
Material	housing: PA grey; Socket: stainless steel (1.4404 / 316L)	
Sealing material	EPDM	
<b>Displays / operating elements</b>		
Display	Power	LED, green
	errors	LED, red
	Function	LED, yellow
<b>Accessories</b>		
Accessories (optional)	Protective caps M12	
<b>Remarks</b>		
Pack quantity	1 pcs.	



## IO-Link CompactLine module

IO-Link Module 6x2 DO M12 IP69K

## Electrical connection - IO-Link

Connector: M12; coding: A

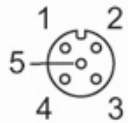


## X1

1	+ 24 V DC (US)
2	not used
3	GND (US)
4	IO-Link

## Electrical connection - Outputs

Connector: M12; coding: A; sealing: EPDM



## X1.0...X1.5

1	not used
2	DO2
3	GND (UA)
4	DO1
5	not used

## Electrical connection - voltage supply

Connector: M12; coding: A



## X31

1	+ 24 V DC (UAL)
2	GND (UAR)
3	GND (UAL)
4	+ 24 V DC (UAR)