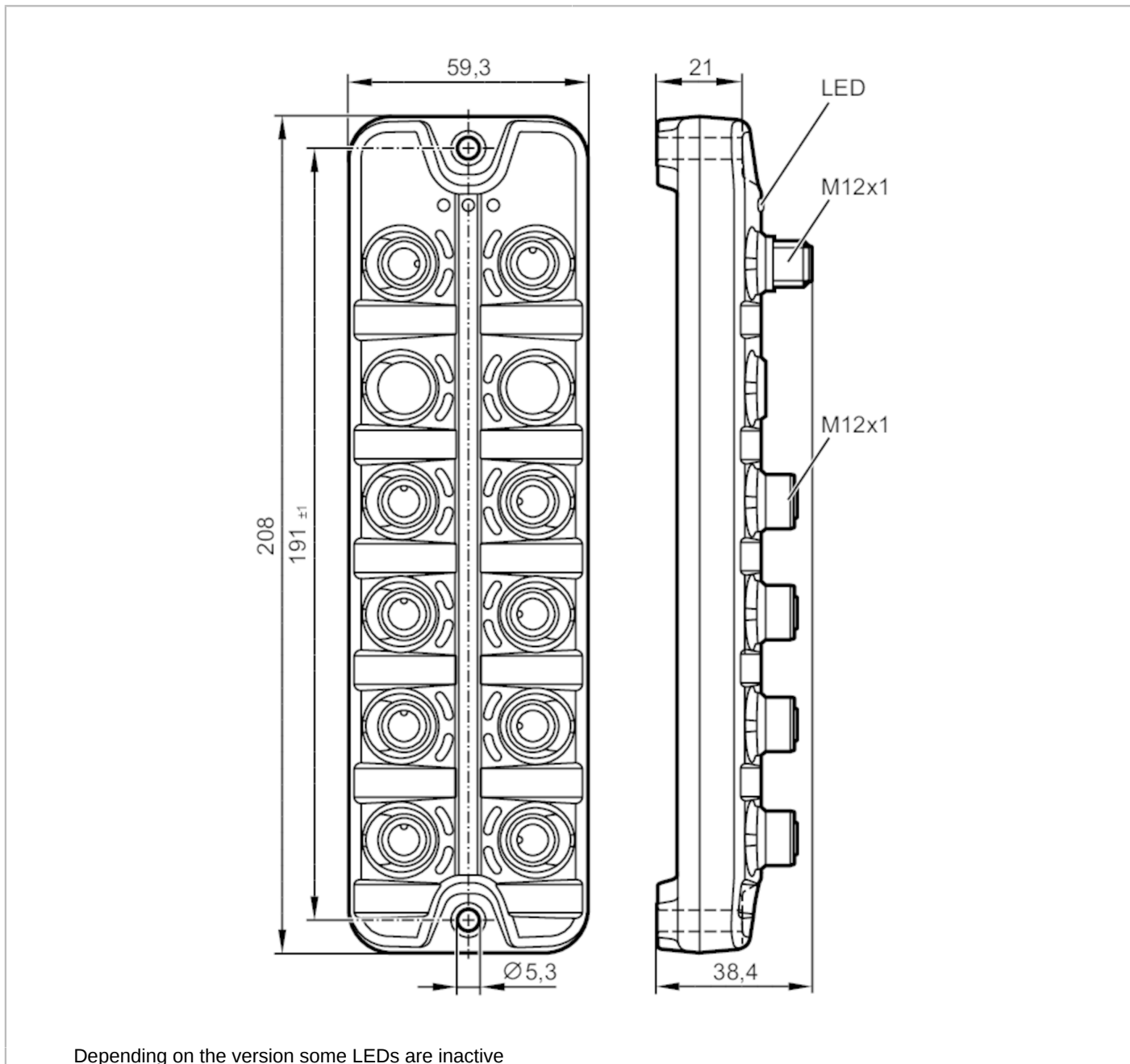


# AL2205



## IO-Link input/output module

IOL MOD SL 8XMP/DX E M12 IP69K



Depending on the version some LEDs are inactive



Electrical data	
Operating voltage [V]	18...30 DC
Current consumption [mA]	100; (US)
Protection class	III
Additional voltage supply [V]	18...30 DC; (UA UAi)
Max. current consumption from additional supply [mA]	4000; (UA; UAi: 400 mA)
Inputs / outputs	
Total number of inputs and outputs	16; (configurable)

# AL2205



## IO-Link input/output module

IOL MOD SL 8XMP/DX E M12 IP69K

Number of inputs and outputs	Number of digital inputs: 16; Number of analog inputs: 8; Number of digital outputs: 16						
<b>Inputs</b>							
Number of digital inputs	16; (configurable)						
Input circuit of digital inputs	PNP; (type 3 (IEC 61131-2))						
Sensor supply of the inputs	AUX (UA, UAi)						
Voltage supply [V]	18...30						
Input current High [mA]	2...15						
Input current low [mA]	0...1.5						
Switching level high [V]	11...28						
Switching level low [V]	0...5						
Number of analog inputs	8; (configurable current/voltage input)						
Analog input (current) [mA]	4...20						
Analog input (voltage) [V]	0...10						
Resolution of analog input	16 Bit						
<b>Outputs</b>							
Number of digital outputs	16; (configurable)						
Max. current load per output [mA]	1800						
Max. current load outputs total [A]	3.6; (max. current load per segment: 1800 mA)						
Short-circuit protection	yes						
Actuator supply outputs	AUX (UA)						
<b>Interfaces</b>							
Communication interface	IO-Link						
SDCI standard	IEC 61131-9						
Transmission type	COM3 (230,4 kBaud)						
IO-Link revision	1.1						
SIO mode	no						
Required master port class	A						
Min. process cycle time [ms]	4						
Supported DeviceIDs	<table border="1"> <thead> <tr> <th>Type of operation</th> <th>DeviceID</th> </tr> </thead> <tbody> <tr> <td>Acyclic parametrisation</td> <td>1316</td> </tr> <tr> <td>Factory setting: parametrisation via Pdout</td> <td>1315</td> </tr> </tbody> </table>	Type of operation	DeviceID	Acyclic parametrisation	1316	Factory setting: parametrisation via Pdout	1315
Type of operation	DeviceID						
Acyclic parametrisation	1316						
Factory setting: parametrisation via Pdout	1315						
Note	Parameterization can be changed from cyclical to acyclical. For further information please see the IODD PDF file at "Downloads"						
<b>Operating conditions</b>							
Ambient temperature [°C]	-25...60						
Storage temperature [°C]	-25...70						
Max. relative air humidity [%]	90						
Max. height above sea level [m]	2000						
Protection	IP 65; IP 67; IP 69K; (operation with stainless steel protective caps: IP 69K)						
Protection rating (NEMA 250)	6P						
Degree of soiling	2						
Chemical media	<table border="1"> <tbody> <tr> <td>ISO 16750-5</td> <td>HLP, CC, DB, DC, DD, CA</td> </tr> <tr> <td>NEMA 250 5.13.1</td> <td>AA</td> </tr> </tbody> </table>	ISO 16750-5	HLP, CC, DB, DC, DD, CA	NEMA 250 5.13.1	AA		
ISO 16750-5	HLP, CC, DB, DC, DD, CA						
NEMA 250 5.13.1	AA						

# AL2205



## IO-Link input/output module

IOL MOD SL 8XMP/DX E M12 IP69K

Tests / approvals		
EMC	EN 61000-6-2	
	EN 61000-6-3	
	IEC 61131-9	
Shock resistance	DIN EN 60068-2-27	
Vibration resistance	DIN EN 60068-2-64	
	DIN EN 60068-2-6	
MTTF	[years]	46

Mechanical data		
Weight	[g]	407
Dimensions	[mm]	26 x 59.3 x 208
Material	housing: PA grey; Socket: stainless steel (1.4404 / 316L)	
Sealing material	EPDM	
Tightening torque	[Nm]	< 0.8

Displays / operating elements		
Display	Power	1 x LED, green
	fault	1 x LED, red
	Function	1 x LED, yellow

Accessories	
Accessories (optional)	protective cap for M12 sockets

Remarks	
Pack quantity	1 pcs.

### Electrical connection - AUX

Connector: 1 x M12; coding: A



### X31

1	+ 24 V DC (U <sub>Ai</sub> )
2	GND (U <sub>A</sub> /U <sub>Ai</sub> )
3	not used
4	+ 24 V DC (U <sub>A</sub> )

### Electrical connection - IO-Link

Connector: 1 x M12; coding: A



# AL2205



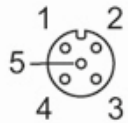
## IO-Link input/output module

IOL MOD SL 8XMP/DX E M12 IP69K

X1	
1	+ 24 V DC (US)
2	not used
3	GND (US)
4	IO-Link

### Electrical connection - inputs / outputs

Connector: 8 x M12; coding: A; sealing: EPDM



### X1.0...X1.7

1	Sensor supply + 24 V DC (UA/UAi)
2	multifunctional input I2 Digital output O2
3	GND (UA/UAi)
4	digital input/output I1/O1
5	not used