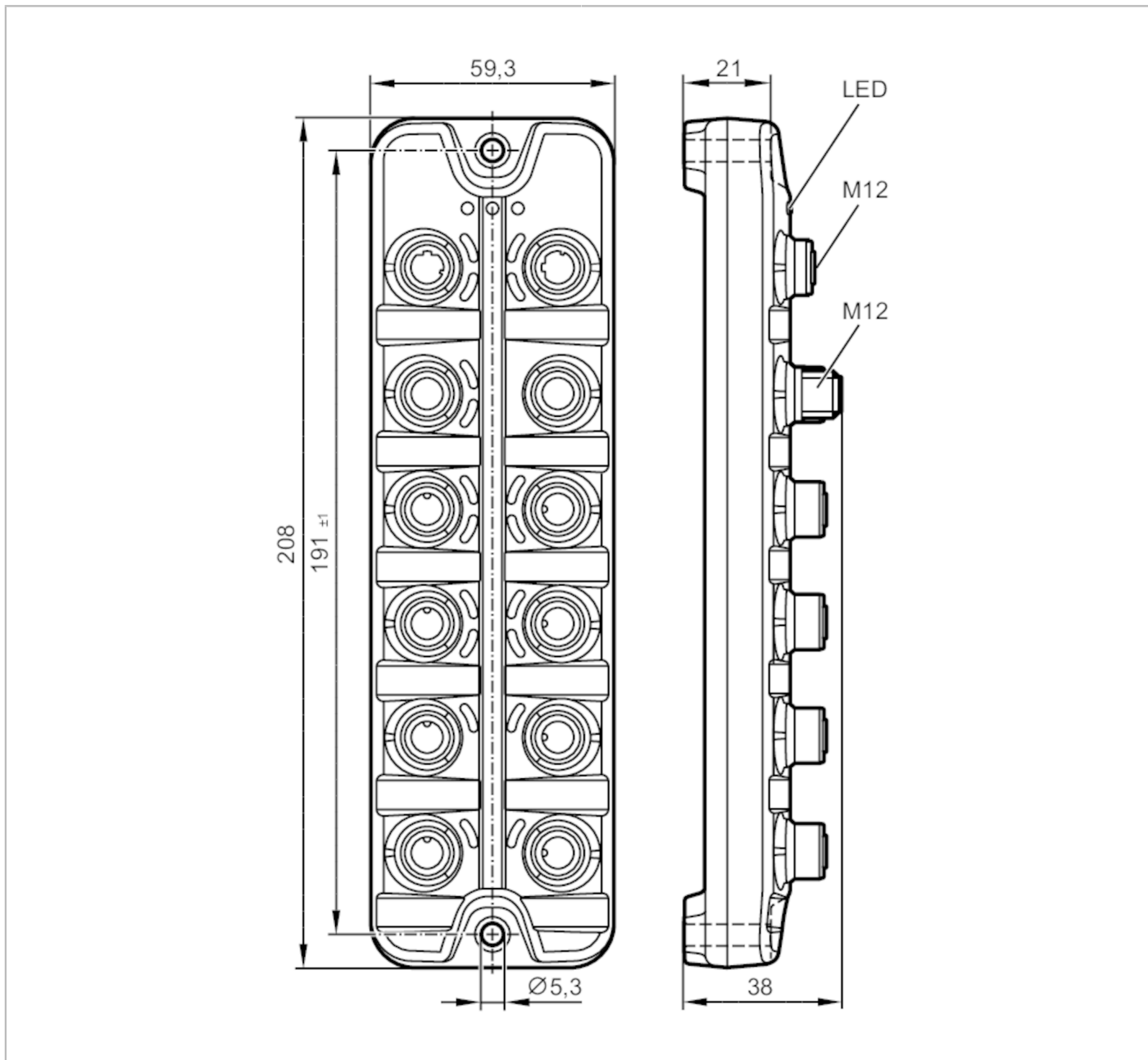


# AL1402



## IO-Link master with Profinet interface

IO-Link Master PFL PN 8P IP67



Application	
Application	I/O modules for field applications
Daisy-chain function	voltage supply; fieldbus interface
Electrical data	
Operating voltage [V]	20...30 DC; (US ; to SELV/PELV)
Current consumption [mA]	300...3900; (US)
Protection class	III
Additional voltage supply [V]	20...30 DC; (UA)
Actuator supply UA	
Max. current load total [A]	8

# AL1402



## IO-Link master with Profinet interface

IO-Link Master PFL PN 8P IP67

Current rating per port	[A]	2; (adjustable: 0...2; Factory setting: 2)
Sensor supply US		
Max. current load total	[A]	3.6
Current rating per port	[A]	2; (adjustable: 0...2; Factory setting: 0,45)
<b>Inputs / outputs</b>		
Total number of inputs and outputs		16; (configurable)
Number of inputs and outputs		Number of digital inputs: 12; Number of digital outputs: 12
<b>Inputs</b>		
Number of digital inputs		12; (IO-Link Port Class A: 4 x 2; IO-Link Port Class B: 4 x 1)
Switching level high	[V]	11...30
Switching level low	[V]	0...5
Digital inputs protected against short circuits		yes
<b>Outputs</b>		
Number of digital outputs		12; (IO-Link Port Class A: 4 x 1; IO-Link Port Class B: 4 x 2)
Short-circuit proof		yes
Actuator supply UA		
Max. current load per output	[mA]	2000
Sensor supply US		
Max. current load per output	[mA]	2000
<b>Interfaces</b>		
Communication interface		Ethernet; IO-Link
Ethernet - PROFINET		
Transmission standard		100Base-TX
Transmission rate		100 MBit/s
Protocol		PROFINET
Factory settings		IP address: 0.0.0.0
		subnet mask: 0.0.0.0
		gateway IP address: 0.0.0.0
		MAC address: see type label
Note on interfaces		IO-Link Integration Edition 2
		CC-C (Conformance Class C) (IRT-Switch)
		S2 redundancy
		Netload Class III
		CiR (Configuration in Run)
		SNMP (Simple Network Management Protocol)
		MRP (Media Redundancy Protocol)
		Supported network topologies: line
		ring
<b>IO-Link Master</b>		
Transmission type		COM1 (4,8 kBaud); COM2 (38,4 kBaud); COM3 (230,4 kBaud)
IO-Link revision		1.1
Number of ports class A		4
Number of ports class B		4

# AL1402



## IO-Link master with Profinet interface

IO-Link Master PFL PN 8P IP67

Operating conditions		
Ambient temperature	[°C]	-25...60
Storage temperature	[°C]	-25...85
Max. relative air humidity	[%]	90
Protection		IP 65; IP 66; IP 67
Protection rating (NEMA 250)		6P
Degree of soiling		2
Chemical media	ISO 16750-5	AA, BA, BD, HLP, CC, DB, DC, DD, CA
	NEMA 250 5.13.1	AA

Tests / approvals		
EMC	EN 61000-6-2	
	EN 61000-6-4	
Shock resistance	DIN EN 60068-2-27	
Vibration resistance	DIN EN 60068-2-64 2009-04	
	DIN EN 60068-2-6 2008-10	
MTTF	[years]	43

Mechanical data		
Weight	[g]	412.1
Material		housing: PA orange; Socket: brass nickel-plated
Sealing material		FKM

Remarks		
Remarks		Further information is available in the manual.
Pack quantity		1 pcs.

### Electrical connection - Ethernet

Connector: M12; coding: D; sealing: FKM



IN / OUT XF1, XF2		
1		TX +
2		RX +
3		TX -
4		RX -
5		not used

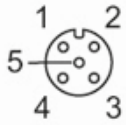


## IO-Link master with Profinet interface

IO-Link Master PFL PN 8P IP67

## Electrical connection - Process connection

Connector: M12; coding: A; sealing: FKM



## IO-Link Port Class B X1...X4

1	Sensor supply (US) L +
2	Actuator supply / Digital output (UA) L+
3	Sensor supply (US) L-
4	C/Q IO-Link
5	Actuator supply (UA) L-

## IO-Link Port Class A X5...X8

1	Sensor supply (US) L+
2	Digital input (US)
3	Sensor supply (US) L-
4	C/Q IO-Link
5	not used

## Electrical connection - voltage supply IN

Connector: M12; coding: L



## XD1

1	+ 24 V DC (US) brown
2	GND (UA) white
3	GND (US) blue
4	+ 24 V DC (UA) black
5	FE grey

## Electrical connection - voltage supply OUT

Connector: M12; coding: L; sealing: FKM



# AL1402



## IO-Link master with Profinet interface

IO-Link Master PFL PN 8P IP67

### XD2

1	+ 24 V DC (US) brown
2	GND (UA) white
3	GND (US) blue
4	+ 24 V DC (UA) black
5	FE grey