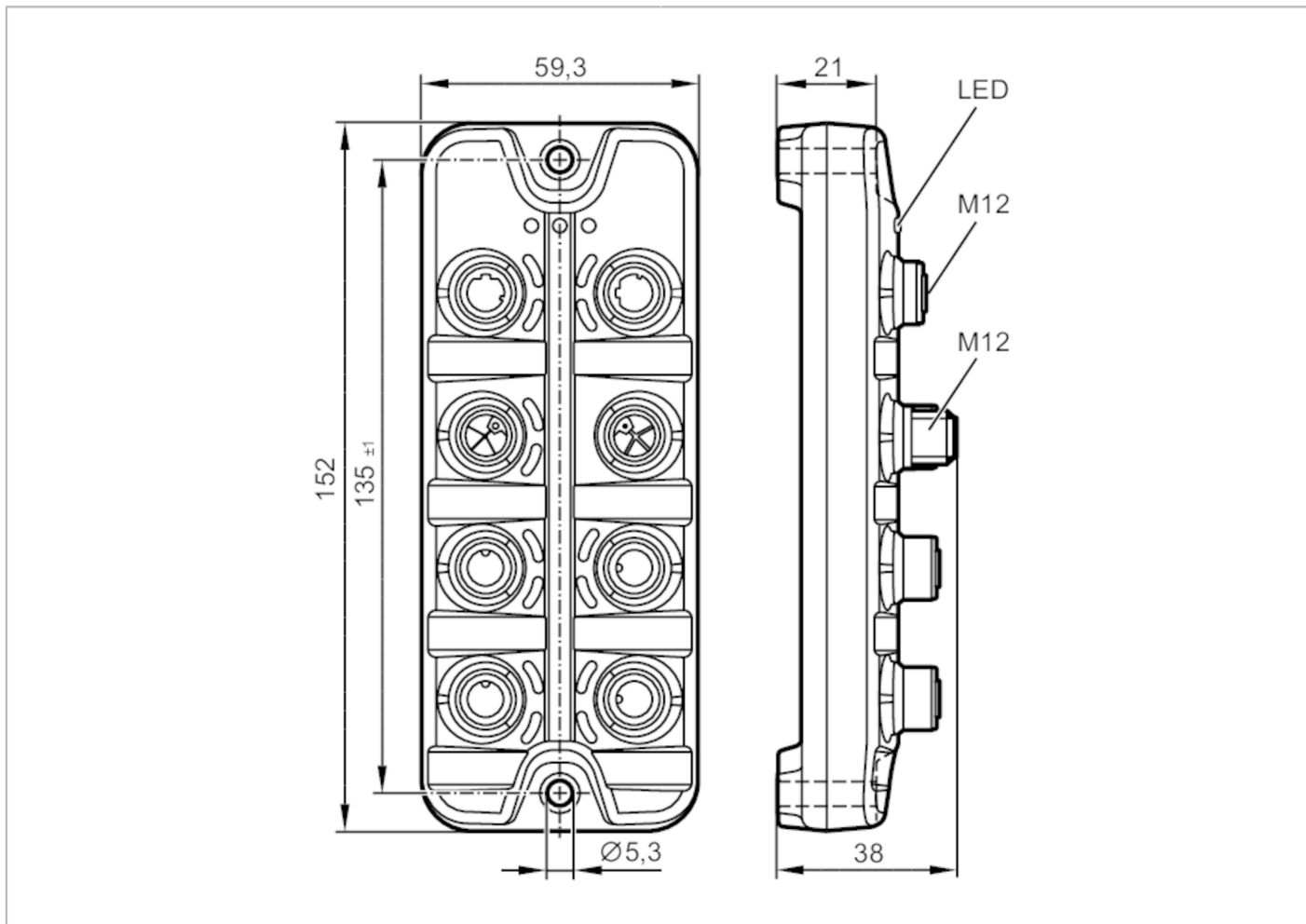


AL1401



IO-Link master with Profinet interface

IO-Link Master PFL PN 4P IP69K



Application	
Application	hygienic systems; I/O modules for field applications
Daisy-chain function	voltage supply; fieldbus interface
Electrical data	
Operating voltage [V]	20...28 DC; (US ; to SELV/PELV)
Current consumption [mA]	300...3900; (US)
Protection class	III
Additional voltage supply [V]	20...30 DC; (UA)
Actuator supply UA	
Max. current load total [A]	8
Current rating per port [A]	2; (adjustable: 0...2; Factory setting: 2)
Sensor supply US	
Max. current load total [A]	3.6
Current rating per port [A]	2; (adjustable: 0...2; Factory setting: 0,45)
Inputs / outputs	
Total number of inputs and outputs	12; (configurable)

AL1401



IO-Link master with Profinet interface

IO-Link Master PFL PN 4P IP69K

Number of inputs and outputs	Number of digital inputs: 4; Number of digital outputs: 8
Inputs	
Number of digital inputs	4; (IO-Link Port Class B: 4 x 1)
Switching level high [V]	11...30
Switching level low [V]	0...5
Digital inputs protected against short circuits	yes
Outputs	
Number of digital outputs	8; (IO-Link Port Class B: 4 x 2)
Short-circuit proof	yes
Actuator supply UA	
Max. current load per output [mA]	2000
Sensor supply US	
Max. current load per output [mA]	2000
Interfaces	
Communication interface	Ethernet; IO-Link
Ethernet - PROFINET	
Transmission standard	100Base-TX
Transmission rate	100 MBit/s
Protocol	PROFINET
Factory settings	IP address: 0.0.0.0
	subnet mask: 0.0.0.0
	gateway IP address: 0.0.0.0
	MAC address: see type label
Note on interfaces	IO-Link Integration Edition 2
	CC-C (Conformance Class C) (IRT-Switch)
	S2 redundancy
	Netload Class III
	CiR (Configuration in Run)
	SNMP (Simple Network Management Protocol)
	MRP (Media Redundancy Protocol)
	Supported network topologies: line
	ring
	IO-Link Master
Transmission type	COM1 (4,8 kBaud); COM2 (38,4 kBaud); COM3 (230,4 kBaud)
IO-Link revision	1.1
Number of ports class B	4
Operating conditions	
Ambient temperature [°C]	-25...60
Storage temperature [°C]	-25...85
Max. relative air humidity [%]	90
Protection	IP 65; IP 66; IP 67; IP 69K; (operation with stainless steel protective caps: IP 69K)
Protection rating (NEMA 250)	6P
Degree of soiling	2

AL1401



IO-Link master with Profinet interface

IO-Link Master PFL PN 4P IP69K

Chemical media	ISO 16750-5 NEMA 250 5.13.1	HLP, CC, DB, DC, DD, CA AA
----------------	--------------------------------	-------------------------------

Tests / approvals

EMC	EN 61000-6-2 EN 61000-6-4	
Shock resistance	DIN EN 60068-2-27	
Vibration resistance	DIN EN 60068-2-64 2009-04 DIN EN 60068-2-6 2008-10	
MTTF [years]		60

Mechanical data

Weight [g]	321.9
Material	housing: PA grey; Socket: stainless steel (1.4404 / 316L)
Sealing material	EPDM

Accessories

Items supplied	Protective cap: 1 x M12, stainless steel, E12542
----------------	--------------------------------------------------

Remarks

Remarks	Further information is available in the manual.
Pack quantity	1 pcs.

Electrical connection

Electrical connection - Ethernet

Connector: M12; coding: D; sealing: EPDM

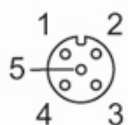


IN / OUT XF1, XF2

1	TX +
2	RX +
3	TX -
4	RX -
5	not used

Electrical connection - Process connection

Connector: M12; coding: A; sealing: EPDM



AL1401



IO-Link master with Profinet interface

IO-Link Master PFL PN 4P IP69K

IO-Link Port Class B X1...X4

1	Sensor supply (US) L +
2	Actuator supply / Digital output (UA) L+
3	Sensor supply (US) L-
4	C/Q IO-Link
5	Actuator supply (UA) L-

Electrical connection - voltage supply IN

Connector: M12; coding: L



XD1

1	+ 24 V DC (US) brown
2	GND (UA) white
3	GND (US) blue
4	+ 24 V DC (UA) black
5	FE grey

Electrical connection - voltage supply OUT

Connector: M12; coding: L; sealing: EPDM



XD2

1	+ 24 V DC (US) brown
2	GND (UA) white
3	GND (US) blue
4	+ 24 V DC (UA) black
5	FE grey