

# AL1301

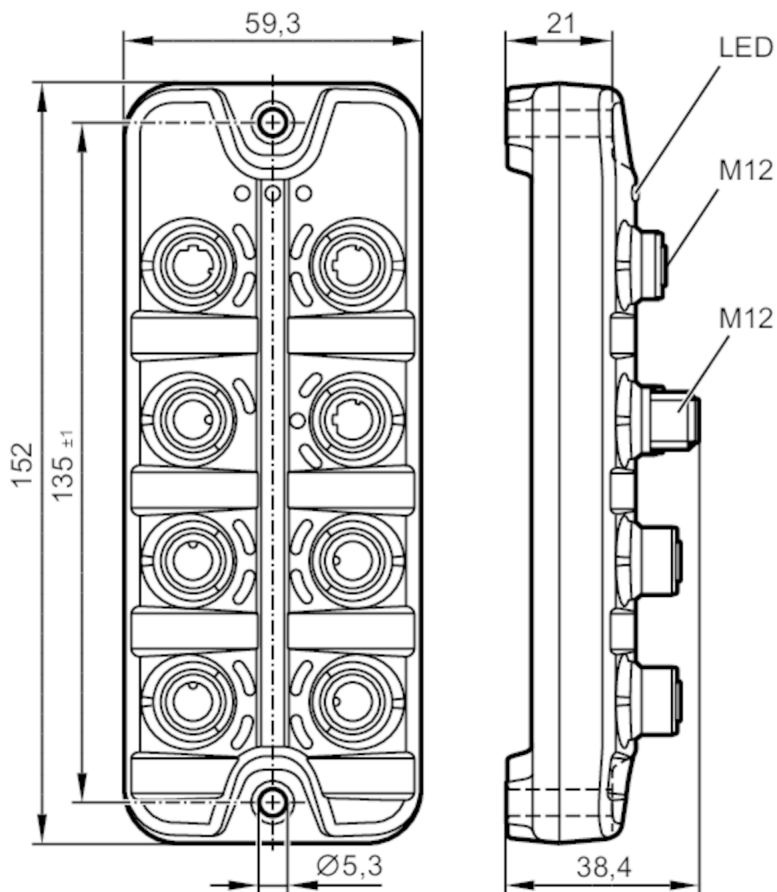


## IO-Link master with Profinet interface

IO-Link Master DL PN 4P IP69K

Alternative articles: AL1305

When selecting an alternative article and accessories please note that technical data may differ!



Application	
Application	hygienic systems; I/O modules for field applications
Daisy-chain function	fieldbus interface
Electrical data	
Operating voltage [V]	20...28 DC; (US ; to SELV/PELV)
Current consumption [mA]	300...3900; (US)
Protection class	III
Sensor supply US	
Max. current load total [A]	3.6
Inputs / outputs	
Total number of inputs and outputs	8; (configurable)
Number of inputs and outputs	Number of digital inputs: 8; Number of digital outputs: 4
Inputs	
Number of digital inputs	8; (IO-Link Port Class A: 4 x 2)

# AL1301



## IO-Link master with Profinet interface

IO-Link Master DL PN 4P IP69K

Switching level high	[M]	11...28
Switching level low	[M]	0...5
Digital inputs protected against short circuits		yes
<b>Outputs</b>		
Number of digital outputs		4; (IO-Link Port Class A: 4 x 1)
Max. current load per output	[mA]	300
Short-circuit proof		yes
<b>Interfaces</b>		
Communication interface		Ethernet; IO-Link
<b>Ethernet - PROFINET</b>		
Transmission standard		100Base-TX
Transmission rate		100 MBit/s
Protocol		PROFINET
Factory settings		IP address: 0.0.0.0 subnet mask: 0.0.0.0 gateway IP address: 0.0.0.0 MAC address: see type label
Note on interfaces		CC-C (Conformance Class C) (IRT-Switch) Netload Class III SNMP (Simple Network Management Protocol) MRP (Media Redundancy Protocol) Supported network topologies: line ring
<b>Ethernet - Internet of Things</b>		
Transmission standard		10Base-T; 100Base-TX
Transmission rate		10 MBit/s; 100 MBit/s
Protocol		MQTT JSON
Factory settings		IP address: 169.254.x.x subnet mask: 255.255.0.0 gateway IP address: 0.0.0.0 MAC address: see type label
Note on interfaces		Safety protocol: HTTPS
<b>IO-Link Master</b>		
Transmission type		COM1 (4,8 kBaud); COM2 (38,4 kBaud); COM3 (230,4 kBaud)
IO-Link revision		1.1
Number of ports class A		4
<b>Operating conditions</b>		
Ambient temperature	[°C]	-25...60
Storage temperature	[°C]	-25...85
Max. relative air humidity	[%]	90
Protection		IP 65; IP 66; IP 67; IP 69K; (operation with stainless steel protective caps: IP 69K)
Protection rating (NEMA 250)		6P
Degree of soiling		2

# AL1301



## IO-Link master with Profinet interface

IO-Link Master DL PN 4P IP69K

Chemical media	ISO 16750-5 NEMA 250 5.13.1	HLP, CC, DB, DC, DD, CA AA
----------------	--------------------------------	-------------------------------

### Tests / approvals

EMC	EN 61000-6-2 EN 61000-6-4	
Shock resistance	DIN EN 60068-2-27	
Vibration resistance	DIN EN 60068-2-64 2009-04 DIN EN 60068-2-6 2008-10	
MTTF [years]		95

### Mechanical data

Weight [g]	314
Material	housing: PA grey; Socket: stainless steel (1.4404 / 316L)
Sealing material	EPDM

### Accessories

Items supplied	Protective cap: 1 x M12, stainless steel, E12542
----------------	--

### Remarks

Remarks	Further information is available in the manual.
Pack quantity	1 pcs.

### Electrical connection - Ethernet

Connector: M12; coding: D; sealing: EPDM



### PROFINET X21, X22

1	TX +
2	RX +
3	TX -
4	RX -
5	not used

### IoT X23

1	TX +
2	RX +
3	TX -
4	RX -
5	not used

# AL1301

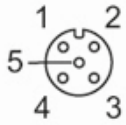


## IO-Link master with Profinet interface

IO-Link Master DL PN 4P IP69K

### Electrical connection - Process connection

Connector: M12; coding: A; sealing: EPDM



### IO-Link Port Class A X01...X04

1	Sensor supply (US) L+
2	Digital input
3	Sensor supply (US) L-
4	C/Q IO-Link
5	not used

### Electrical connection - voltage supply

Connector: M12; coding: A



### X31

1	+ 24 V DC (US)
2	not used
3	GND (US)
4	not used