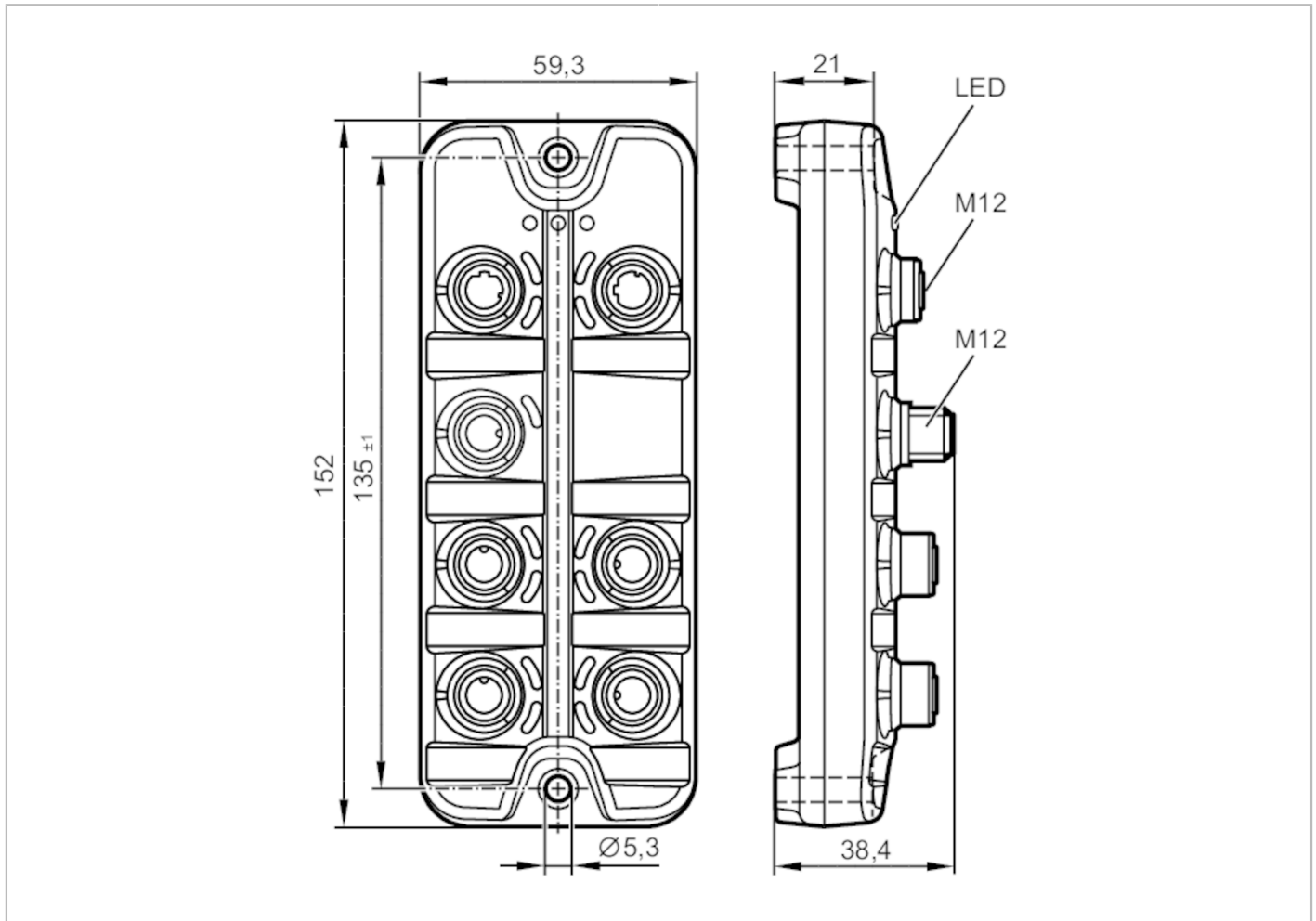


AL1101



IO-Link master with Profinet interface

IO-Link Master SL PN 4P IP69K



Application	
Application	hygienic systems; I/O modules for field applications
Daisy-chain function	fieldbus interface
Electrical data	
Operating voltage [V]	20...30 DC; (US ; to SELV/PELV)
Current consumption [mA]	300...3900; (US)
Protection class	III
Sensor supply US	
Max. current load total [A]	3.6
Inputs / outputs	
Total number of inputs and outputs	8; (configurable)
Number of inputs and outputs	Number of digital inputs: 8; Number of digital outputs: 4
Inputs	
Number of digital inputs	8; (IO-Link Port Class A: 4 x 2)
Switching level high [V]	11...30
Switching level low [V]	0...5



IO-Link master with Profinet interface

IO-Link Master SL PN 4P IP69K

Digital inputs protected against short circuits	yes	
Outputs		
Number of digital outputs	4; (IO-Link Port Class A: 4 x 1)	
Max. current load per output [mA]	300	
Short-circuit proof	yes	
Interfaces		
Communication interface	Ethernet; IO-Link	
Ethernet - PROFINET		
Transmission standard	100Base-TX	
Transmission rate	100 MBit/s	
Protocol	PROFINET	
Factory settings	IP address: 0.0.0.0	
	subnet mask: 0.0.0.0	
	gateway IP address: 0.0.0.0	
	MAC address: see type label	
Note on interfaces	CC-C (Conformance Class C) (IRT-Switch)	
	Netload Class III	
	SNMP (Simple Network Management Protocol)	
	MRP (Media Redundancy Protocol)	
	Supported network topologies: line	
	ring	
IO-Link Master		
Transmission type	COM1 (4,8 kBaud); COM2 (38,4 kBaud); COM3 (230,4 kBaud)	
IO-Link revision	1.1	
Number of ports class A	4	
Operating conditions		
Ambient temperature [°C]	-25...60	
Storage temperature [°C]	-25...85	
Max. relative air humidity [%]	90	
Protection	IP 65; IP 66; IP 67; IP 69K; (operation with stainless steel protective caps: IP 69K)	
Protection rating (NEMA 250)	6P	
Degree of soiling	2	
Chemical media	ISO 16750-5	HLP, CC, DB, DC, DD, CA
	NEMA 250 5.13.1	AA
Tests / approvals		
EMC	EN 61000-6-2	
	EN 61000-6-4	
Shock resistance	DIN EN 60068-2-27	
Vibration resistance	DIN EN 60068-2-64 2009-04	
	DIN EN 60068-2-6 2008-10	
MTTF [years]	96	
Mechanical data		
Weight [g]	273.5	
Material	housing: PA grey; Socket: stainless steel (1.4404 / 316L)	

AL1101



IO-Link master with Profinet interface

IO-Link Master SL PN 4P IP69K

Sealing material	EPDM
------------------	------

Accessories

Items supplied	Protective cap: 1 x M12, stainless steel, E12542
----------------	--

Remarks

Remarks	Further information is available in the manual.
---------	---

Pack quantity	1 pcs.
---------------	--------

Electrical connection - Ethernet

Connector: M12; coding: D; sealing: EPDM

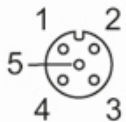


IN / OUT X21, X22

1	TX +
2	RX +
3	TX -
4	RX -
5	not used

Electrical connection - Process connection

Connector: M12; coding: A; sealing: EPDM



IO-Link Port Class A X01...X04

1	Sensor supply (US) L+
2	Digital input
3	Sensor supply (US) L-
4	C/Q IO-Link
5	not used

Electrical connection - voltage supply

Connector: M12; coding: A



AL1101



IO-Link master with Profinet interface

IO-Link Master SL PN 4P IP69K

X31

1	+ 24 V DC (US)
2	not used
3	GND (US)
4	not used