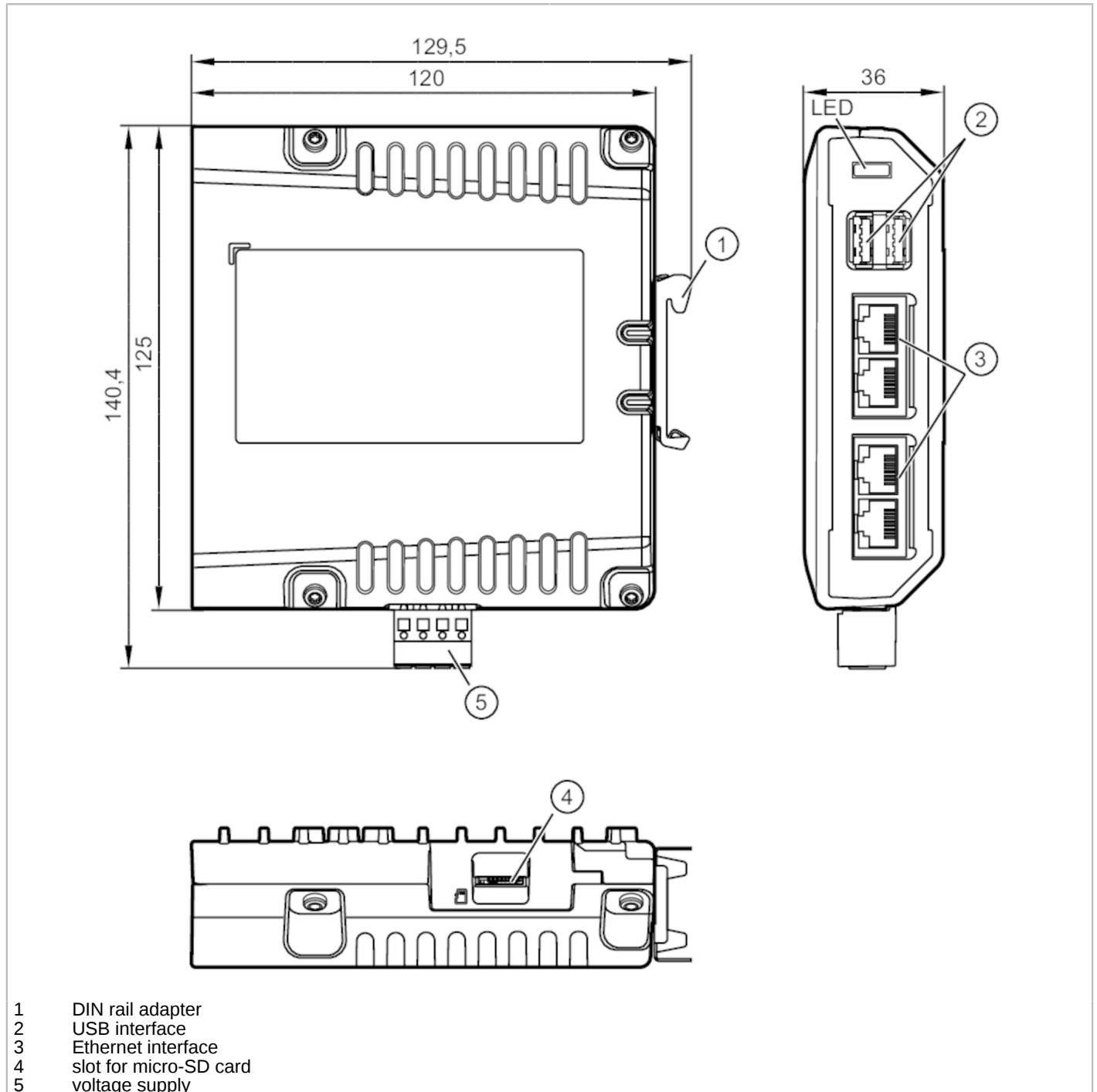


AE3100



IIoT controller

IIoT Controller IP20 1S



Product characteristics

Communication interface	Ethernet; USB
-------------------------	---------------

Application

Application	freely programmable edgeDevice for industrial applications
-------------	--

Electrical data

Operating voltage	[V]	18...32 DC; (PELV)
Nominal voltage DC	[V]	24

AE3100



IIoT controller

IIoT Controller IP20 1S

Power consumption [W]	14; (max. power for USB devices: 1,5 A / 5 V)
Reverse polarity protection	yes
Software / programming	
Parameter setting options	CODESYS 3.5
PLC function to IEC 61131-3	yes
Interfaces	
Communication interface	Ethernet; USB
Number of Ethernet interfaces	4
Number of USB interfaces	2
Ethernet	
Transmission standard	10Base-T; 100Base-TX
Transmission rate	10 MBit/s; 100 MBit/s
Type of connector	RJ45
Protocol	EtherNet/IP; PROFINET; EtherCAT; Modbus TCP; OPC UA; IoT (MQTT, HTTP, Cloud connectors)
USB	
Transmission rate	< 480 MBit/s
Type of connector	type A
Version	USB 2.0
Note on interfaces	Output current limitation: 1,5 A Output current total: 1,5 A
Operating conditions	
Ambient temperature [°C]	-25...55
Note on ambient temperature	2000 m: 55 °C 3000 m: 50 °C
Storage temperature [°C]	-25...85
Max. relative air humidity [%]	90; (non condensing)
Max. height above sea level [m]	3000
Protection	IP 20
Degree of soiling	2
Tests / approvals	
EMC	EN 61000-6-2 EN 61000-6-3
Mechanical data	
Weight [g]	685
Type of mounting	DIN rail mounting
Material	housing: diecast aluminium passivated; stainless steel
Displays / operating elements	
Display	3 LED, three-color
Hardware	
Processor	ARM 64 Bit Quad Core 1,2 GHz
Working memory	1 GByte RAM
Mass storage	8 GByte Flash

AE3100



IIoT controller

IIoT Controller IP20 1S

Removable storage	Micro SD card; SD; SDHX; SDXC; USB interface
-------------------	--

Data memory

Real-time clock	yes; UTC, battery buffered
-----------------	----------------------------

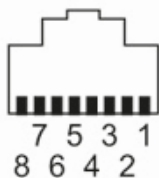
Remarks

Remarks	Further information is available in the manual.
---------	---

Pack quantity	1 pcs.
---------------	--------

Electrical connection - Ethernet

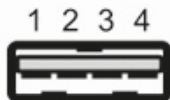
Connector: 4 x RJ45



- 1 TD +
- 3 RD +
- 2 TD -
- 6 RD -

Electrical connection - USB

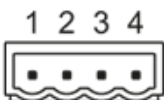
Connector: 2 x type A



- 1 + 5 V
- 2 Data -
- 3 Data +
- 4 GND

Electrical connection - voltage supply

Connector: 1 x Cage clamp



- 1 + 24 V
- 2 0 V
- 3 n.c.
- 4 n.c.