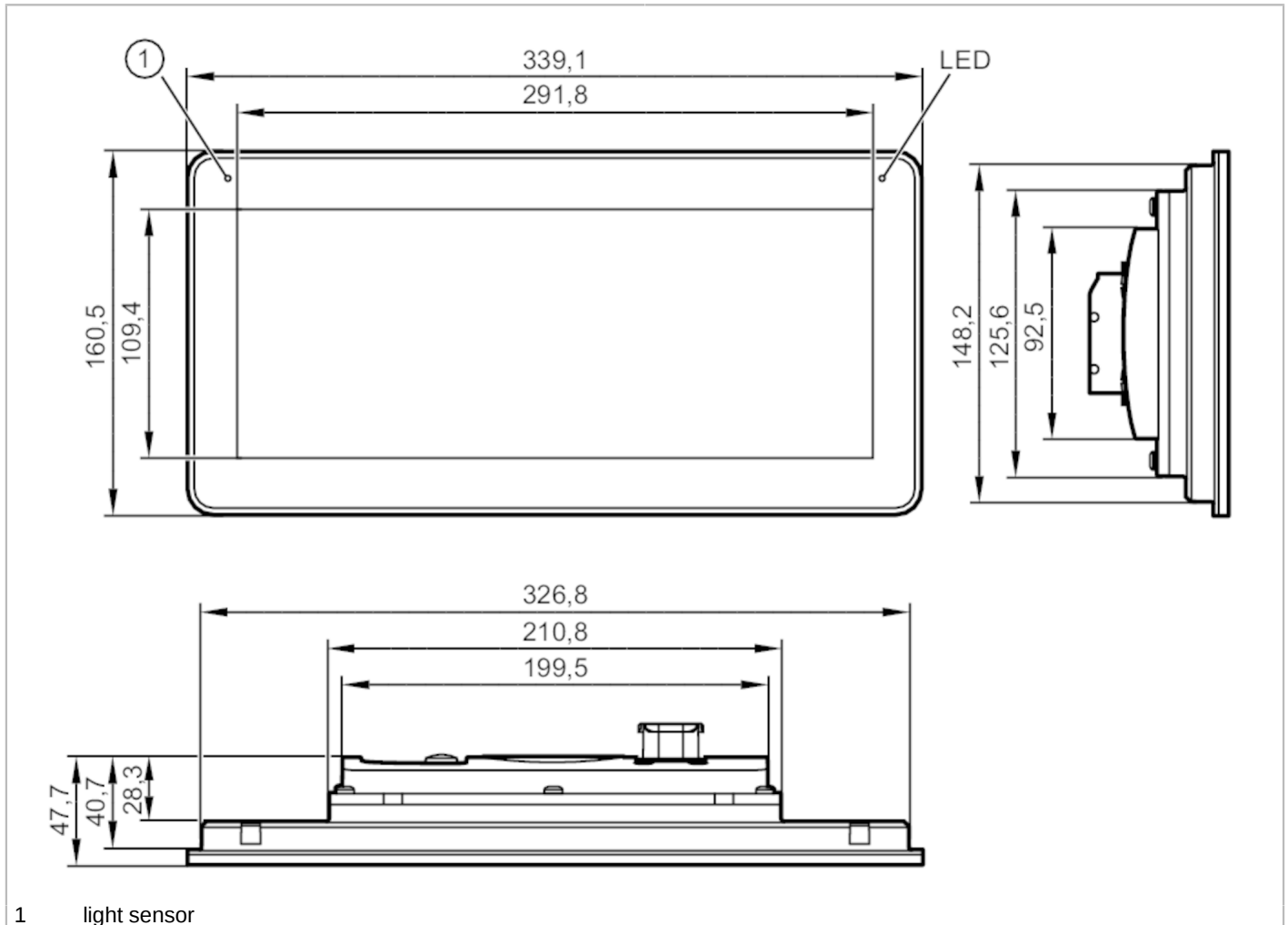


# AE1300



## EdgeController

IIoT edgeController/12"/Touch



1 light sensor



Product characteristics	
Communication interface	Ethernet; USB
Dimensions [mm]	339.1 x 160.5 x 47.7
Application	
Application	freely programmable edgeDevice for industrial applications
Electrical data	
Operating voltage [V]	20...32 DC
Nominal voltage DC [V]	24
Power consumption [W]	32
Reverse polarity protection	yes
Software / programming	
Parameter setting options	CODESYS 3.5
PLC function to IEC 61131-3	yes
Interfaces	
Communication interface	Ethernet; USB
Number of Ethernet interfaces	2

# AE1300



## EdgeController

IIoT edgeController/12"/Touch

Number of USB interfaces	2
<b>Ethernet</b>	
Transmission standard	10Base-T; 100Base-TX
Transmission rate	10 MBit/s; 100 MBit/s
Type of connector	M12
Protocol	TCP/IP; TCP/IP JSON; UDP; HTTP
<b>USB</b>	
Transmission rate	< 480 MBit/s
Type of connector	M12
Version	USB 2.0
Note on interfaces	Output current limitation: 1,5 A Output current total: 1,5 A
<b>Operating conditions</b>	
Ambient temperature [°C]	-30...65
Note on ambient temperature	2000 m: -30...65 °C 3000 m: -30...60 °C The temperature of the mainboard must not exceed 85 °C. for further information please see the operating instructions
Storage temperature [°C]	-35...85
Max. relative air humidity [%]	90; (non condensing)
Max. height above sea level [m]	3000
Protection	IP 65
Degree of soiling	2
<b>Mechanical data</b>	
Weight [g]	2306.3
Type of mounting	panel/surf.
Dimensions [mm]	339.1 x 160.5 x 47.7
Material	housing: diecast aluminium powder-coated; Display: glass chemically hardened and anti-reflective
<b>Displays / operating elements</b>	
Display	Status LED LED, multi-color programmable
Display resolution	1280 x 480
Display type	color display with touch function
Display size	12.3" 8:3
Display background illumination	LED
Color depth	24 Bit
Brightness [cd/m <sup>2</sup> ]	> 1000
Contrast ratio	1000:1
<b>Hardware</b>	
Processor	ARM 64 Bit Quad Core 1,2 GHz
Working memory	1 GByte RAM
Mass storage	8 GByte Flash
Removable storage	USB interface

# AE1300



## EdgeController

IIoT edgeController/12"/Touch

### Data memory

Real-time clock | yes; UTC, battery buffered

### Accessories

Accessory required | All male cordsets: AMP - M12, E70450  
| connection cable with open cable end: AMP, E70451

### Remarks

Pack quantity | 1 pcs.

### Electrical connection - Ethernet

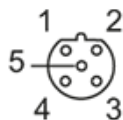
Connector: 2 x M12; coding: D



- 1 TxD +
- 2 RxD +
- 3 TxD -
- 4 RxD -

### Electrical connection - USB

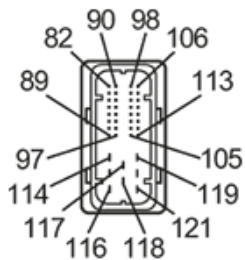
Connector: 2 x M12; coding: B



- 1 + 5 V DC
- 2 Data -
- 3 Data +
- 4 ID
- 5 GND

### Electrical connection - voltage supply

Connector: 1 x AMP connector



- 120 GND
- 114 L +
- 119 L +
- 121 L +