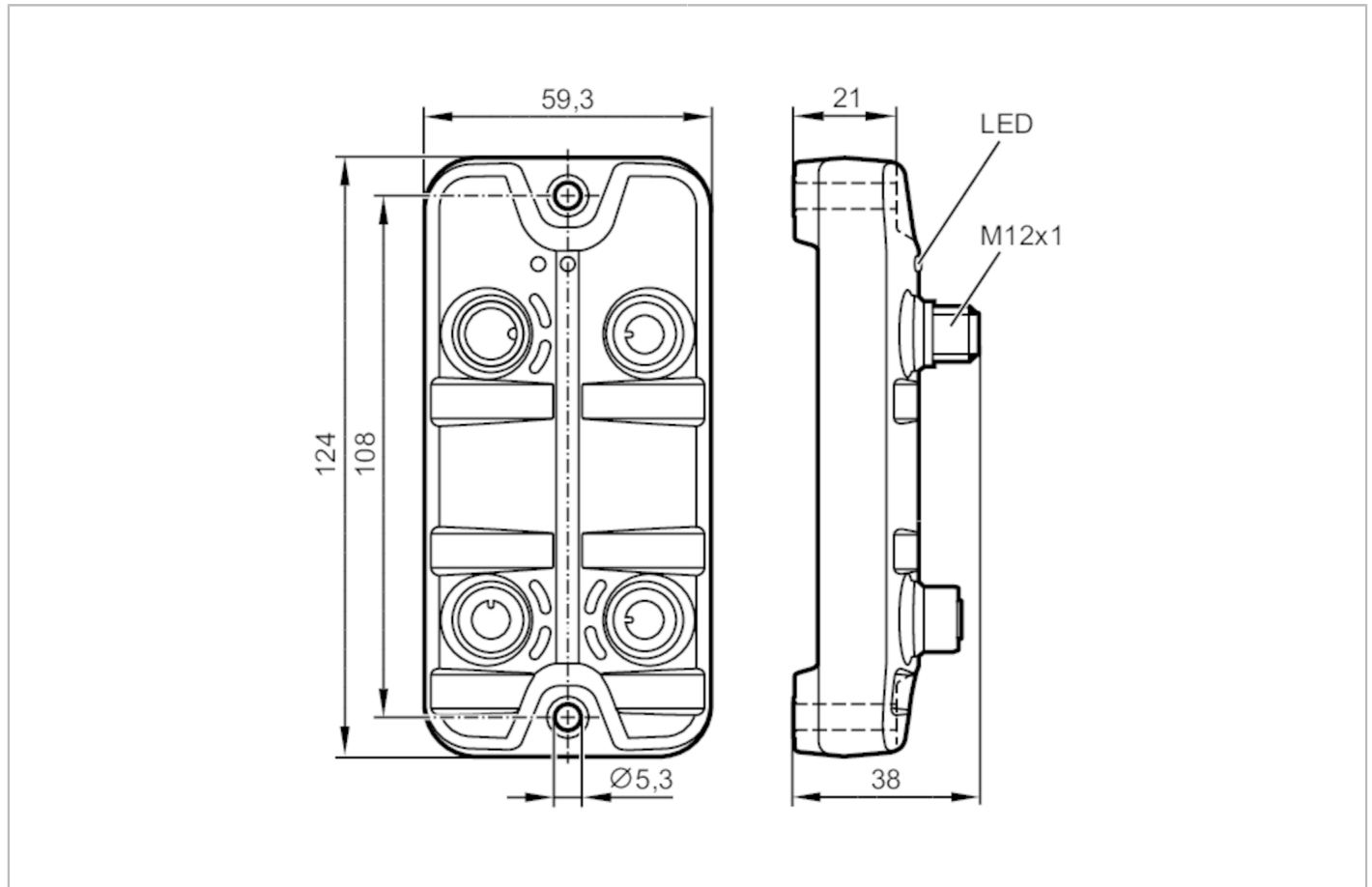


# AC6002



## IO-Link master with AS-i interface

IO-Link Master AS-i 2P IP67



Application	
Application	field installation
Daisy-chain function	voltage supply; fieldbus interface
Electrical data	
Operating voltage [V]	26...31.6 DC; (AS-i)
Max. current consumption from AS-i [mA]	350
Protection class	III
Max. current load total [A]	0.3; (ports 1+2: 0,3 (AS-i))
Inputs / outputs	
Total number of inputs and outputs	4; (configurable)
Number of inputs and outputs	Number of digital inputs: 4; Number of digital outputs: 2
Inputs	
Number of digital inputs	4; (IO-Link Port Class A: 2 x 2)
Sensor supply of the inputs	AS-i
Switching level high [V]	11...30
Switching level low [V]	0...5
Digital inputs protected against short circuits	yes

# AC6002



## IO-Link master with AS-i interface

IO-Link Master AS-i 2P IP67

Outputs		
Number of digital outputs	2; (IO-Link Port Class A: 2 x 1)	
Max. current load outputs total [A]	0.3	
Short-circuit proof	yes	
Actuator supply outputs	AS-i	
Interfaces		
Communication interface	IO-Link; AS-i	
IO-Link Master		
Transmission type	COM1 (4,8 kBaud); COM2 (38,4 kBaud); COM3 (230,4 kBaud)	
IO-Link revision	1.1	
Number of ports class A	2	
Operating conditions		
Ambient temperature [°C]	-25...60	
Storage temperature [°C]	-25...85	
Max. relative air humidity [%]	90	
Protection	IP 65; IP 66; IP 67	
Protection rating (NEMA 250)	6P	
Degree of soiling	2	
Chemical media	ISO 16750-5	AA, BA, BD, HLP, CC, DB, DC, DD, CA
	NEMA 250 5.13.1	AA
Tests / approvals		
EMC	EN 61000-6-2	
	EN 61000-6-4	
Shock resistance	DIN EN 60068-2-27	
Vibration resistance	DIN EN 60068-2-64 2009-04	
	DIN EN 60068-2-6 2008-10	
MTTF [years]	194	
AS-i classification		
AS-i version	2.11; 3.0	
Extended addressing mode	no	
AS-i profile	basic slave (CTT1 input)	S-7.4.E
	additional slave (CTT1 input)	S-7.3.E
	additional slave (CTT1 output)	S-7.3.2
Number of AS-i devices	1...5	
Mechanical data		
Weight [g]	235.7	
Material	housing: PA orange; Socket: brass nickel-plated	
Electrical connection		
Module connection	M12	
Remarks		
Remarks	Further information is available in the manual.	
Pack quantity	1 pcs.	

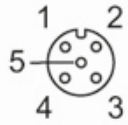


## IO-Link master with AS-i interface

IO-Link Master AS-i 2P IP67

### Electrical connection - Process connection

Connector: 2 x M12; coding: A

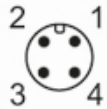


#### IO-Link Port Class A X01...X02

1	+ 24 V DC (AS-i)
2	Digital input
3	GND (AS-i)
4	C/Q IO-Link
5	not used

### Electrical connection - voltage supply IN

Connector: 1 x M12; coding: A

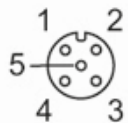


#### X21

1	AS-i +
2	AUX - bridged
3	AS-i -
4	AUX + bridged

### Electrical connection - voltage supply OUT

Connector: 1 x M12; coding: A



#### X22

1	AS-i +
2	AUX - bridged
3	AS-i -
4	AUX + bridged
5	not used