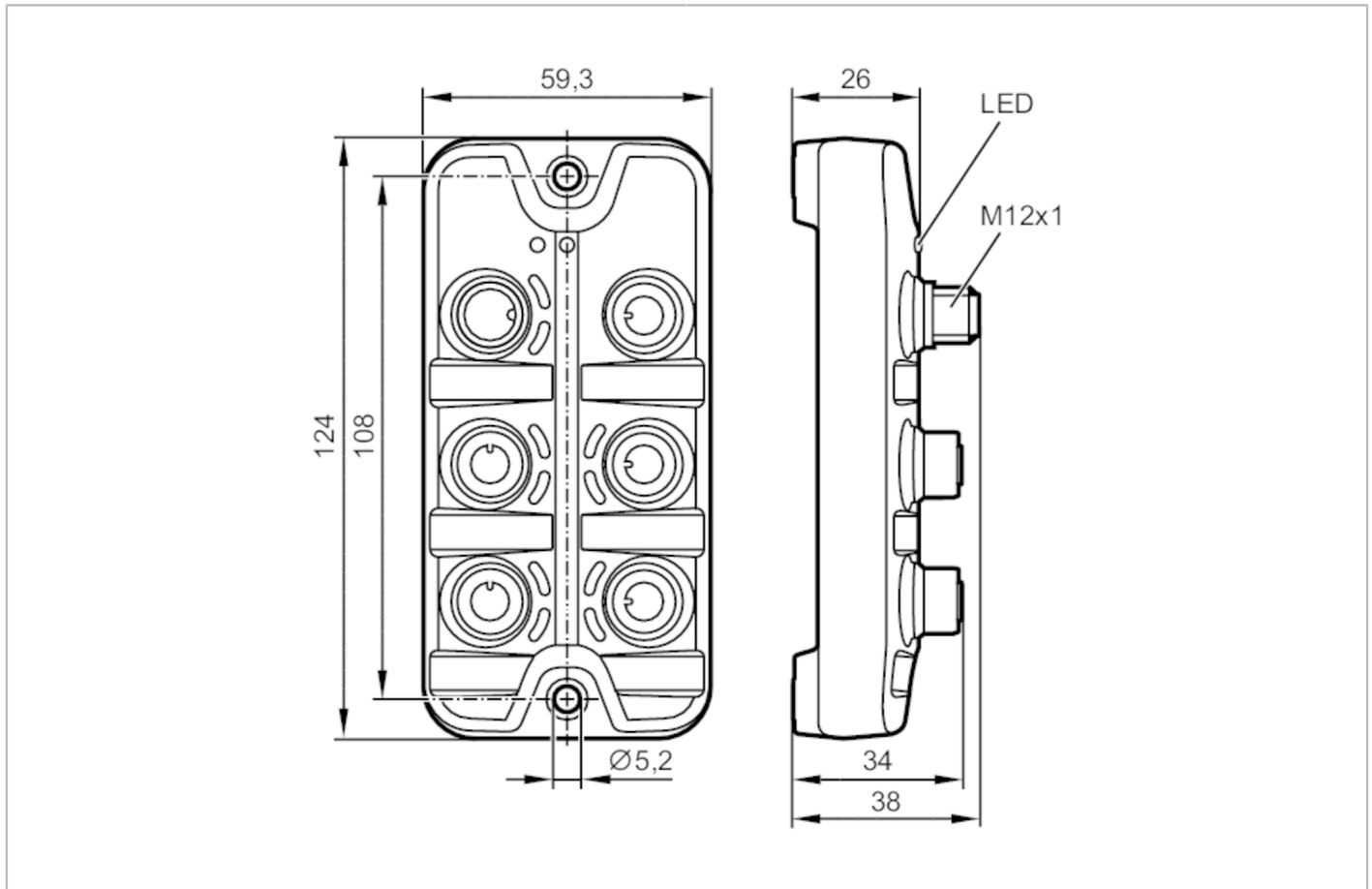


# AC6001



## IO-Link master with AS-i interface

IO-Link Master AS-i 4P IP69K



Application	
Application	sanitary and wet areas in the food industry
Daisy-chain function	voltage supply; fieldbus interface
Electrical data	
Operating voltage [V]	18...31.6 DC; (AS-i)
Current consumption [mA]	300...1500; (AUX)
Max. current consumption from AS-i [mA]	100
Protection class	III
Max. current load total [A]	1.1; (ports 1+2: 0,55 (AUX); ports 3+4: 0,55 (AUX))
Additional voltage supply [V]	20...30 DC; (AUX)
Inputs / outputs	
Total number of inputs and outputs	8; (configurable)
Number of inputs and outputs	Number of digital inputs: 8; Number of digital outputs: 4
Inputs	
Number of digital inputs	8; (IO-Link Port Class A: 4 x 2)
Sensor supply of the inputs	AUX
Switching level high [V]	11...30
Switching level low [V]	0...5

# AC6001



## IO-Link master with AS-i interface

IO-Link Master AS-i 4P IP69K

Digital inputs protected against short circuits	yes
---	-----

### Outputs

Number of digital outputs	4; (IO-Link Port Class A: 4 x 1)
Max. current load per output [mA]	300
Short-circuit proof	yes
Actuator supply outputs	AUX

### Interfaces

Communication interface	IO-Link; AS-i
-------------------------	---------------

### IO-Link Master

Transmission type	COM1 (4,8 kBaud); COM2 (38,4 kBaud); COM3 (230,4 kBaud)
IO-Link revision	1.1
Number of ports class A	4

### Operating conditions

Ambient temperature [°C]	-25...60	
Storage temperature [°C]	-25...85	
Max. relative air humidity [%]	90	
Protection	IP 65; IP 66; IP 67; IP 69K; (operation with stainless steel protective caps: IP 69K)	
Protection rating (NEMA 250)	6P	
Degree of soiling	2	
Chemical media	ISO 16750-5 NEMA 250 5.13.1	HLP, CC, DB, DC, DD, CA AA

### Tests / approvals

EMC	EN 61000-6-2 EN 61000-6-4
Shock resistance	DIN EN 60068-2-27
Vibration resistance	DIN EN 60068-2-64 2009-04 DIN EN 60068-2-6 2008-10
MTTF [years]	161

### AS-i classification

AS-i version	2.11; 3.0
Extended addressing mode	no
AS-i profile	basic slave (CTT1 input) S-7.4.E additional slave (CTT1 input) S-7.3.E additional slave (CTT1 output) S-7.3.2
Number of AS-i devices	1...5

### Mechanical data

Weight [g]	255
Material	housing: PA grey; Socket: stainless steel (1.4404 / 316L)

### Electrical connection

Module connection	M12
-------------------	-----

### Remarks

Remarks	Further information is available in the manual.
Pack quantity	1 pcs.

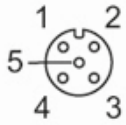


## IO-Link master with AS-i interface

IO-Link Master AS-i 4P IP69K

### Electrical connection - Process connection

Connector: 4 x M12; coding: A



### IO-Link Port Class A X01...X04

1	+ 24 V DC (AUX)
2	Digital input
3	GND (AUX)
4	C/Q IO-Link
5	not used

### Electrical connection - voltage supply IN

Connector: 1 x M12; coding: A

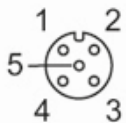


### X21

1	AS-i +
2	AUX -
3	AS-i -
4	AUX +

### Electrical connection - voltage supply OUT

Connector: 1 x M12; coding: A



### X22

1	AS-i +
2	AUX -
3	AS-i -
4	AUX +
5	not used