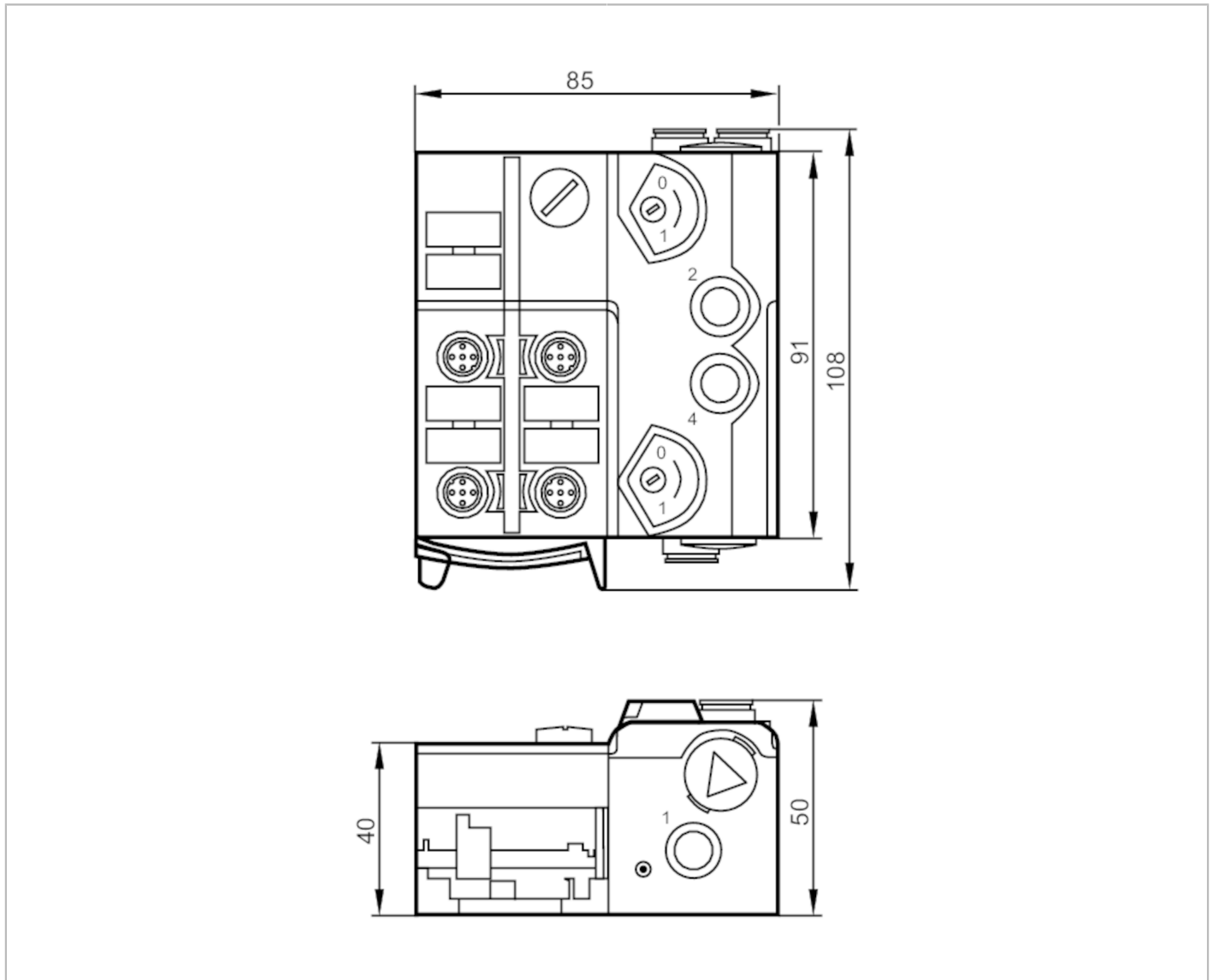


AC551A



AS-Interface Airbox with quick mounting technology

AirBox 5/2 bist. 4DI-Y II 3D



Application	
Application	AS-i ATEX module
Electrical data	
Operating voltage [V]	26.5...31.6 DC
Max. current consumption from AS-i [mA]	280
Integrated watchdog	yes
Inputs / outputs	
Number of inputs and outputs	Number of digital inputs: 4; Number of pneumatic outputs: 2
Inputs	
Number of digital inputs	4
Input circuit of digital inputs	PNP
Sensor supply of the inputs	AS-i
Voltage supply [V]	20...30; (via flat cable)

AC551A



AS-Interface Airbox with quick mounting technology

AirBox 5/2 bist. 4DI-Y II 3D

Max. total current rating of inputs	[mA]	200
Input current High	[mA]	6...10
Input current low	[mA]	0...2
Switching level high	[V]	> 11
Digital inputs protected against short circuits		yes

Outputs		
Electrical design		AS-i
Number of pneumatic outputs		2

Operating conditions		
Ambient temperature	[°C]	-10...50
Protection		IP 50

Tests / approvals		
ATEX marking		Ex II 3D Ex tc IIIB T80°C Dc X IP50
EMC		EN 50295 IEC 61000-6-2
MTTF	[years]	258

AS-i classification						
AS-i version		2.11; 3.0				
AS-i addressing		Addressing socket				
Extended addressing mode		yes				
AS-i master profile		M2; M3; M4				
AS-i profile		S-7.A.E				
AS-i I/O configuration	[hex]	7				
AS-i ID code	[hex]	A.E				
AS-i certificate pending		yes				
Data bits		Data bit	D0	D1	D2	D3
		Input	1	2	3	4
		Socket	I-1/2	I-1/2 I-2	I-3/4	I-3/4 I-4
		Pin	4	2 4	4	2 4
		pneumatic output	2	4	-	-

Mechanical data		
Weight	[g]	413.5
Type of mounting		quick mounting
Material		PA; POM; Piercing contacts: CuSn6 nickel-plated and tin-plated
Pneumatic system		1 x 5/2-way slide valve (free from overlapping); bistable
Operating pressure range	[bar]	3...8
Operating pressure range	[MPa]	0.3...0.8
Air flow at 6/5 bar	[l/min]	500
Permissible compressed air		non-lubricated compressed air class 6-3-1; lubricated compressed air class 6-3-4
Manual override		pressing/releasing or pressing/turning/locking
Tube fittings		8 mm
Exhaust		exhaust can be discharged through tube connection

AC551A



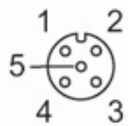
AS-Interface Airbox with quick mounting technology

AirBox 5/2 bist. 4DI-Y II 3D

Displays / operating elements	
Display	Power errors Function
	LED, green LED, red LED, yellow
Electrical connection	
Module connection	Flat cable
Accessories	
Items supplied	lower part
Accessories (optional)	Mounting plate:, E74999 Module lower part:, E75000 Protective cap: M12, E73004 sealing plug:, E75231 impact protection housing:, E7000A Silencer:, E75232 Push-in L-fitting:, E75228 Push-in T-fitting:, E75227
Remarks	
Remarks	Mechanical protection has to be implemented. Otherwise the unit must be installed together with the impact protection housing (E7000A). If not pneumatically operated, E75231 sealing plug must be inserted. Avoid ingress of dirt and dust. Do not connect any of the following points to an external potential: L-, L+, I-1, I-2, I-3, I-4 The connections are electrically connected with the AS-i cable. Please see the notes on compressed air and EMC/ESD under "Downloads"
Pack quantity	1 pcs.

Electrical connection
quick mounting technology for AS-i flat cable: ; three selectable directions

Connector: 4 x M12; coding: A



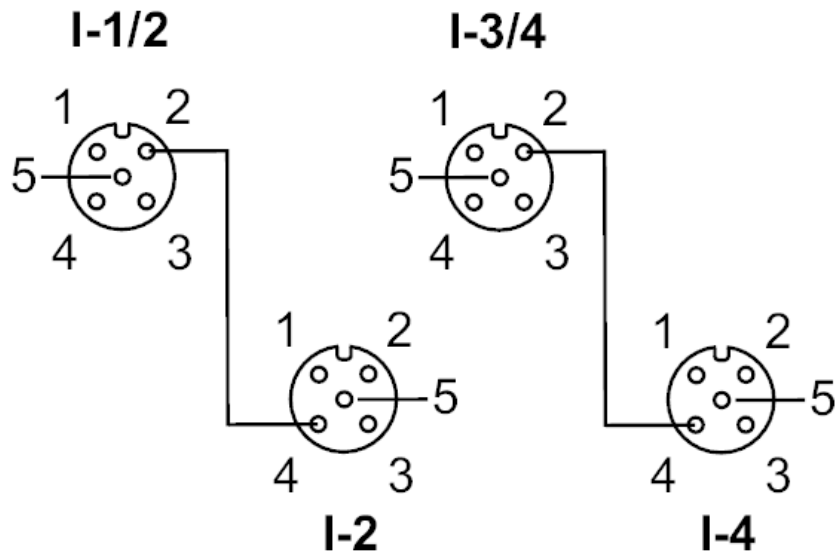
AC551A



AS-Interface Airbox with quick mounting technology

AirBox 5/2 bist. 4DI-Y II 3D

Connection



	Inputs
	Socket I-1/2
1	Sensor supply L+
2	Data input 2
3	Sensor supply L-
4	Data input 1
5	not used
	Socket I-2
1	Sensor supply L+
2	not used
3	Sensor supply L-
4	Data input 2
5	not used
	Socket I-3/4
1	voltage supply L+
2	Data input 4
3	Sensor supply L-
4	Data input 3
5	not used
	Socket I-4
1	Sensor supply L+
2	not used
3	Sensor supply L-
4	Data input 4
5	not used

AC551A

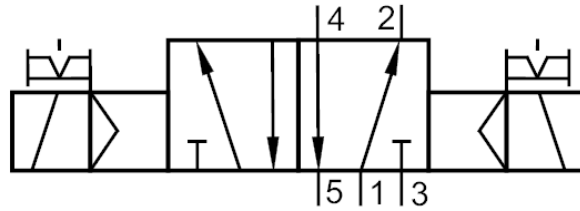


AS-Interface Airbox with quick mounting technology

AirBox 5/2 bist. 4DI-Y II 3D

Diagrams and graphs

Pneumatic symbol



1 x 5/2-way slide valve (free from overlapping); bistable