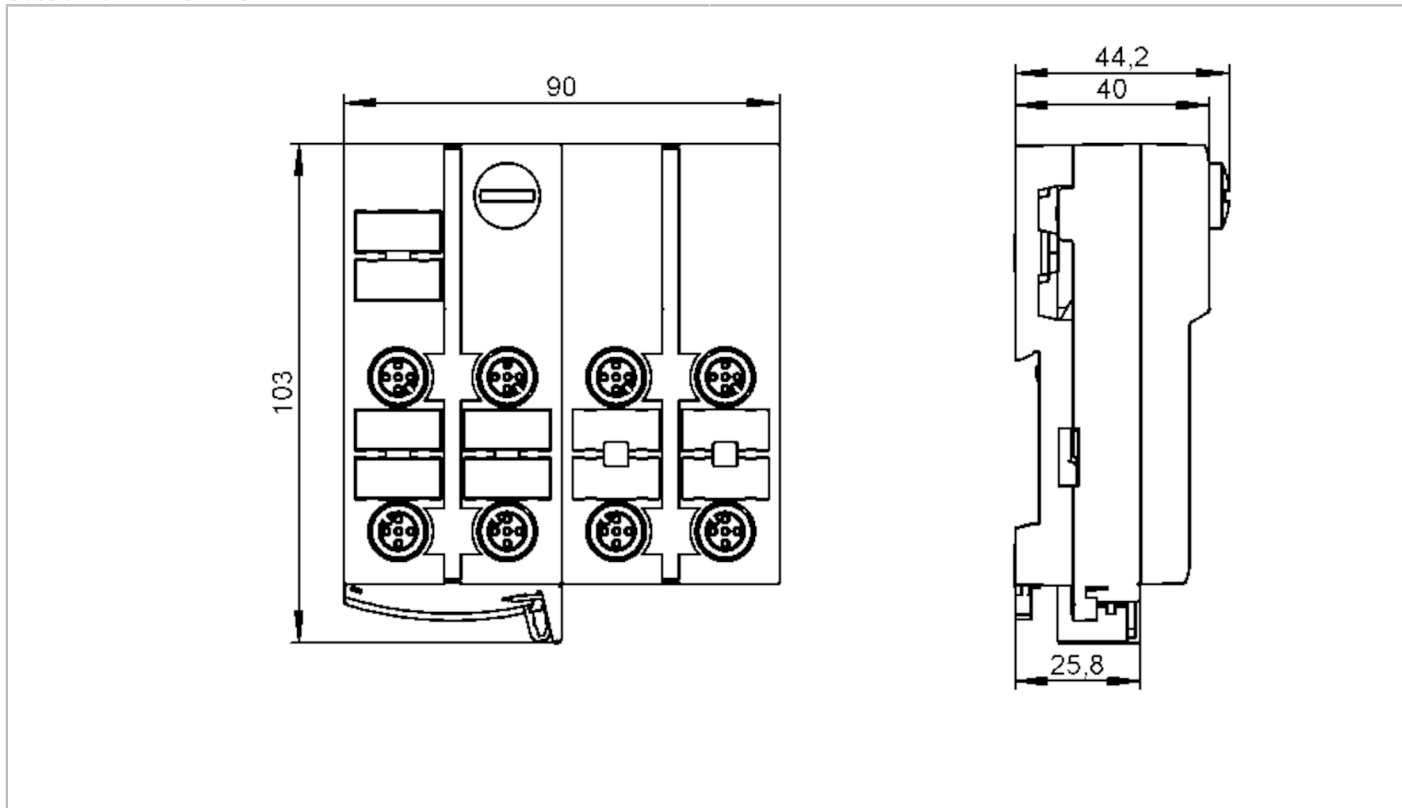


AC5293



AS-Interface ClassicLine module with quick mounting technology

ClassicLine 4DI-Y AUX 4DO-Y



Application	
Design	Only for operation with AS-i masters with the profile M4
Application	field installation
Electrical data	
Operating voltage [V]	26.5...31.6 DC; (cULus - Class 2 source required)
Max. current consumption from AS-i [mA]	30
Max. current load total [A]	3
Integrated watchdog	yes
Inputs / outputs	
Number of inputs and outputs	Number of digital inputs: 4; Number of digital outputs: 4
Inputs	
Number of digital inputs	4
Input circuit of digital inputs	PNP
Sensor supply of the inputs	AUX
Voltage supply [V]	20...30; (via flat cable)
Max. total current rating of inputs [mA]	1000
Input current High [mA]	6...10
Input current low [mA]	0...2
Switching level high [V]	> 11
Electrically separated	yes



AS-Interface ClassicLine module with quick mounting technology

ClassicLine 4DI-Y AUX 4DO-Y

Digital inputs protected against short circuits	yes
---	-----

Outputs

Number of digital outputs	4
Circuit	PNP
Voltage range DC [V]	20...30; (to PELV; via flat cable)
Max. current load per output [mA]	1000; (utilization category DC-13 (control of electromagnets): 20 W (IEC 60947-5-1))
Short-circuit proof	yes
Electrically separated	yes
Actuator supply outputs	AUX

Operating conditions

Ambient temperature [°C]	-25...70
Protection	IP 67

Tests / approvals

EMC	EN 50295	
	IEC 61000-6-2	

AS-i classification

AS-i version	3.0				
AS-i addressing	Addressing socket				
Extended addressing mode	yes				
AS-i master profile	M4				
AS-i profile	S-7.A.7				
AS-i I/O configuration [hex]	7				
AS-i ID code [hex]	A.7				
Data bits	Data bit	D0	D1	D2	D3
	Input	1	2	3	4
	Socket	I-1/2	I-1/2 I-2	I-3/4	I-3/4 I-4
	Pin	4	2 4	4	2 4
	Output	1	2	3	4
	Socket	O-1/2	O-1/2 O2	O-3/4	O-3/4 O-4
	Pin	4	2 4	4	2 4

Mechanical data

Weight [g]	289
Type of mounting	AS-i flat cable connection
Material	PA; Piercing contacts: CuSn6 nickel-plated and tin-plated

Displays / operating elements

Display	Power	LED, green Voltage AUX > 7 V
	errors	LED, red AUX 15 V ± 2 V
	Function	LED, yellow

Electrical connection

Module connection	Flat cable
-------------------	------------

Accessories

Items supplied	lower part
Accessories (optional)	Protective cap: M12, E73004

AC5293



AS-Interface ClassicLine module with quick mounting technology

ClassicLine 4DI-Y AUX 4DO-Y

Remarks

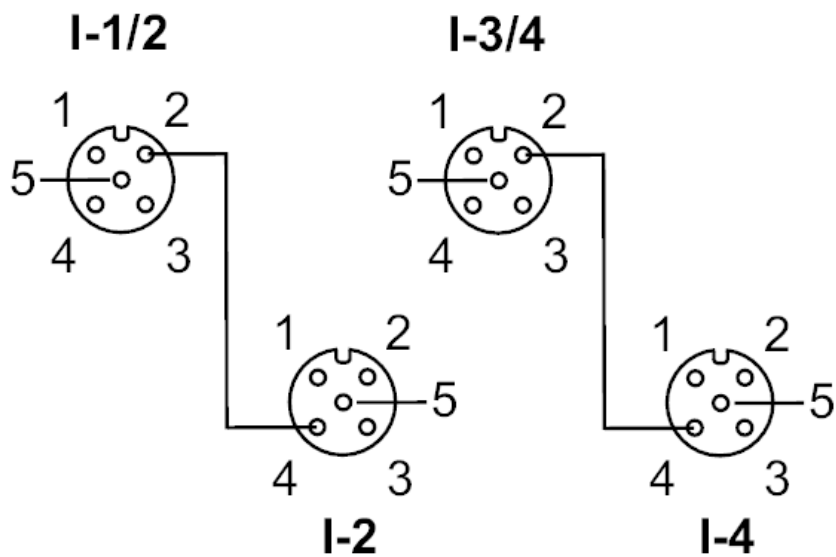
Pack quantity 1 pcs.

Electrical connection

quick mounting technology for AS-i flat cable: ; three selectable directions

Electrical connection - Inputs

Connection





AS-Interface ClassicLine module with quick mounting technology

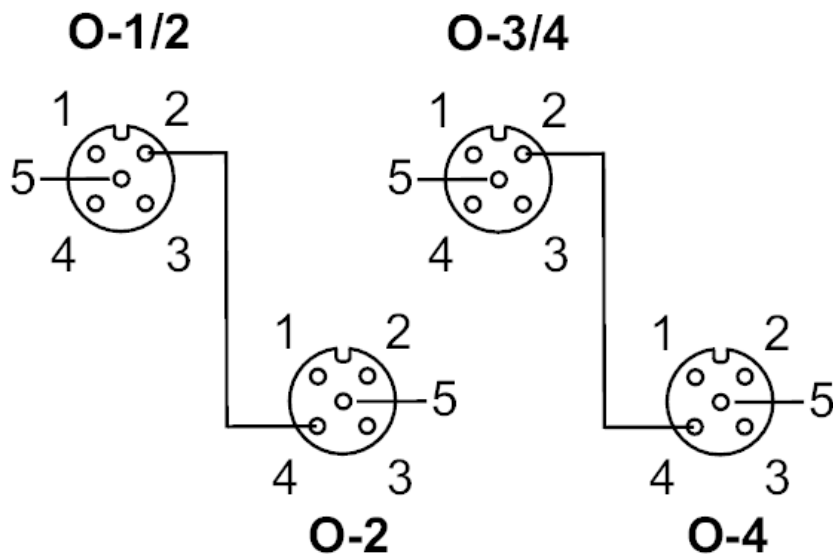
ClassicLine 4DI-Y AUX 4DO-Y

Connector: M12

Inputs	
Socket I-1/2	
1	Sensor supply L+
2	Data input 2
3	Sensor supply L-
4	Data input 1
5	not used
Socket I-2	
1	Sensor supply L+
2	not used
3	Sensor supply L-
4	Data input 2
5	not used
Socket I-3/4	
1	voltage supply L+
2	Data input 4
3	Sensor supply L-
4	Data input 3
5	not used
Socket I-4	
1	Sensor supply L+
2	not used
3	Sensor supply L-
4	Data input 4
5	not used

Electrical connection - Outputs

Connection



AC5293



AS-Interface ClassicLine module with quick mounting technology

ClassicLine 4DI-Y AUX 4DO-Y

Connector: M12

	Outputs
	Socket O-1/2
1	not used
2	Switching output 2
3	External voltage AUX -
4	Switching output 1
5	not used
	Socket O-2
1	not used
2	not used
3	External voltage AUX -
4	Switching output 2
5	not used
	Socket O-3/4
1	not used
2	Switching output 4
3	External voltage AUX -
4	Switching output 3
5	not used
	Socket O-4
1	not used
2	not used
3	External voltage AUX -
4	Switching output 4
5	not used