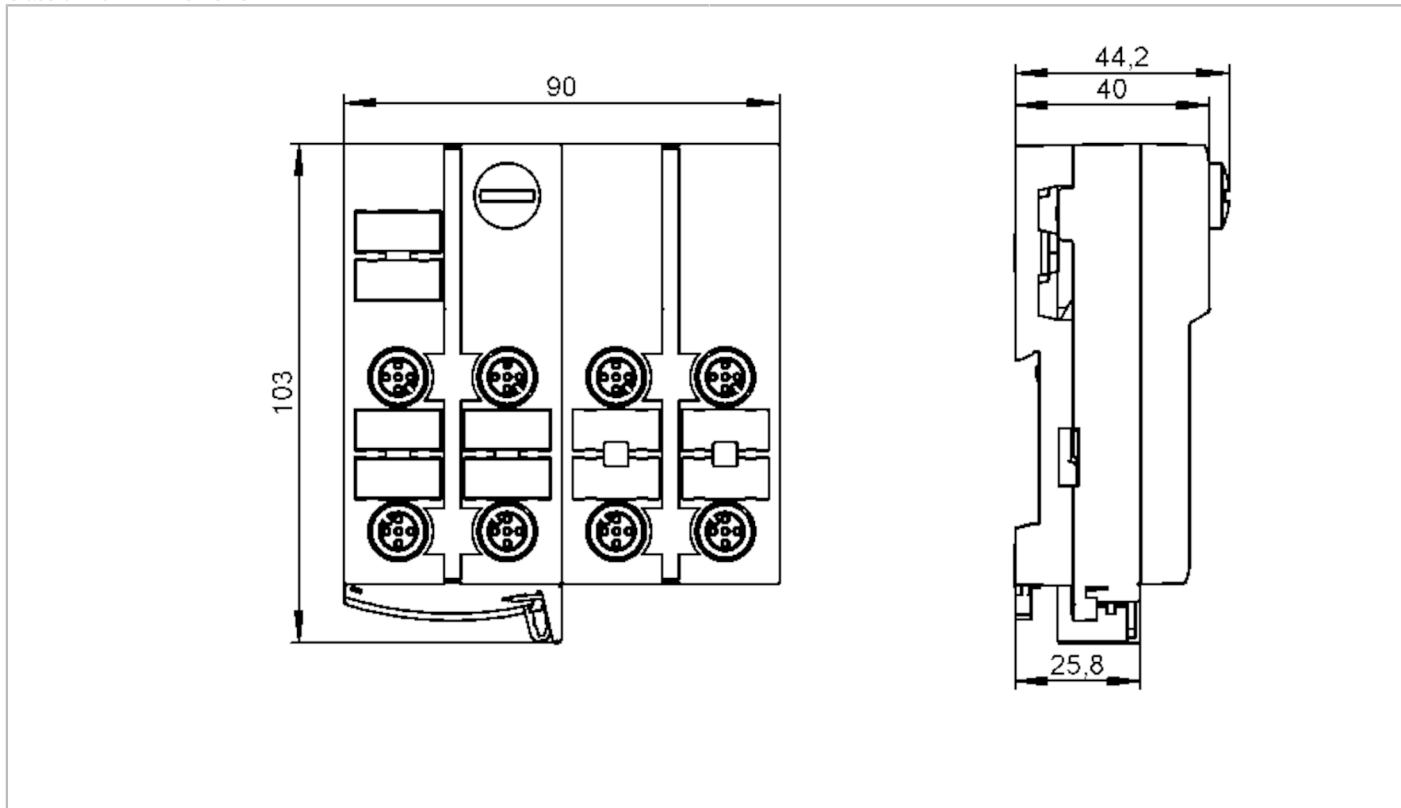


AC5292



AS-Interface ClassicLine module with quick mounting technology

ClassicLine 4DI-Y AUX 3DO-Y



Application	
Application	field installation
Electrical data	
Operating voltage [V]	26.5...31.6 DC; (cULus - Class 2 source required)
Max. current consumption from AS-i [mA]	30
Max. current load total [A]	3
Integrated watchdog	yes
Inputs / outputs	
Number of inputs and outputs	Number of digital inputs: 4; Number of digital outputs: 3
Inputs	
Number of digital inputs	4
Input circuit of digital inputs	PNP
Sensor supply of the inputs	AUX
Voltage supply [V]	20...30; (via flat cable)
Max. total current rating of inputs [mA]	1000
Input current High [mA]	6...10
Input current low [mA]	0...2
Switching level high [V]	> 11
Digital inputs protected against short circuits	yes



AS-Interface ClassicLine module with quick mounting technology

ClassicLine 4DI-Y AUX 3DO-Y

Outputs	
Number of digital outputs	3
Circuit	PNP
Voltage range DC [V]	20...30; (to PELV; via flat cable)
Max. current load per output [mA]	1000; (utilization category DC-13 (control of electromagnets): 20 W (IEC 60947-5-1))
Short-circuit proof	yes
Electrically separated	yes
Actuator supply outputs	AUX

Operating conditions	
Ambient temperature [°C]	-25...70
Protection	IP 67

Tests / approvals	
EMC	EN 50295
	IEC 61000-6-2
MTTF [years]	166

AS-i classification						
AS-i version	2.11; 3.0					
AS-i addressing	Addressing socket					
Extended addressing mode	yes					
AS-i master profile	M2; M3; M4					
AS-i profile	S-7.A.E					
AS-i I/O configuration [hex]	7					
AS-i ID code [hex]	A.E					
Data bits	Data bit	D0	D1	D2	D3	
	Input	1	2	3	4	
	Socket	I-1/2	I-1/2 I-2	I-3/4	I-3/4 I-4	
	Pin	4	2 4	4	2 4	
	Output	1	2	3	4	
	Socket	O-1/2	O-1/2 O2	O-3	-	
	Pin	4	2 4	4	-	
	Parameter bits	Parameter bit	Description			
P0		not used				
P1		peripheral fault indication	: 1	activated	* / 0	disabled
P2		not used				
P3		not used				

Mechanical data	
Weight [g]	289.5
Type of mounting	AS-i flat cable connection
Material	PA; Piercing contacts: CuSn6 nickel-plated and tin-plated

Displays / operating elements		
Display	Power	LED, green Voltage AUX > 7 V
	errors	LED, red AUX 15 V ± 2 V
	Function	LED, yellow

AC5292



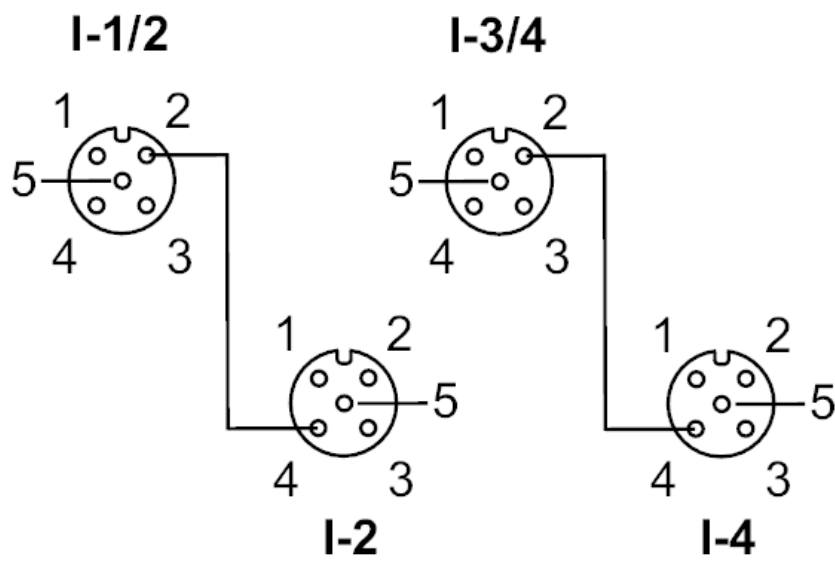
AS-Interface ClassicLine module with quick mounting technology

ClassicLine 4DI-Y AUX 3DO-Y

Electrical connection	
Module connection	Flat cable
Accessories	
Items supplied	lower part
Accessories (optional)	Protective cap: M12, E73004
Remarks	
Pack quantity	1 pcs.

Electrical connection
quick mounting technology for AS-i flat cable: ; three selectable directions

Electrical connection - Inputs
Connection





AS-Interface ClassicLine module with quick mounting technology

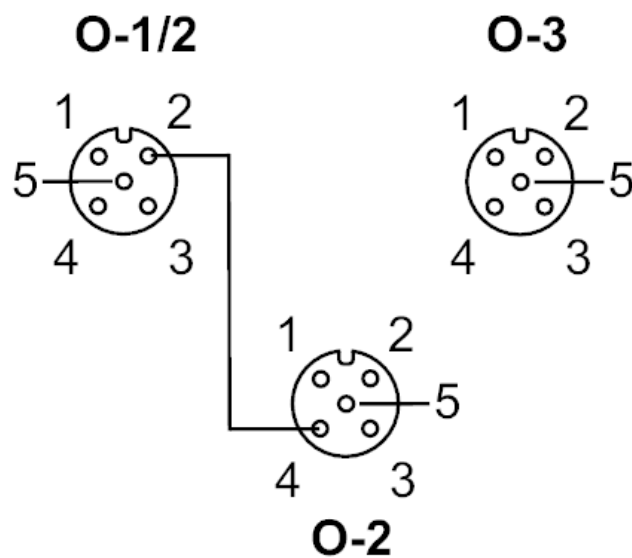
ClassicLine 4DI-Y AUX 3DO-Y

Connector: M12

Inputs	
Socket I-1/2	
1	Sensor supply L+
2	Data input 2
3	Sensor supply L-
4	Data input 1
5	not used
Socket I-2	
1	Sensor supply L+
2	not used
3	Sensor supply L-
4	Data input 2
5	not used
Socket I-3/4	
1	voltage supply L+
2	Data input 4
3	Sensor supply L-
4	Data input 3
5	not used
Socket I-4	
1	Sensor supply L+
2	not used
3	Sensor supply L-
4	Data input 4
5	not used

Electrical connection - Outputs

Connection



AC5292



AS-Interface ClassicLine module with quick mounting technology

ClassicLine 4DI-Y AUX 3DO-Y

Connector: M12

	Outputs
	Socket O-1/2
1	not used
2	Switching output 2
3	External voltage AUX -
4	Switching output 1
5	not used
	Socket O-2
1	not used
2	not used
3	External voltage AUX -
4	Switching output 2
5	not used
	Socket O-3
1	not used
2	not used
3	External voltage AUX -
4	Switching output 3
5	not used