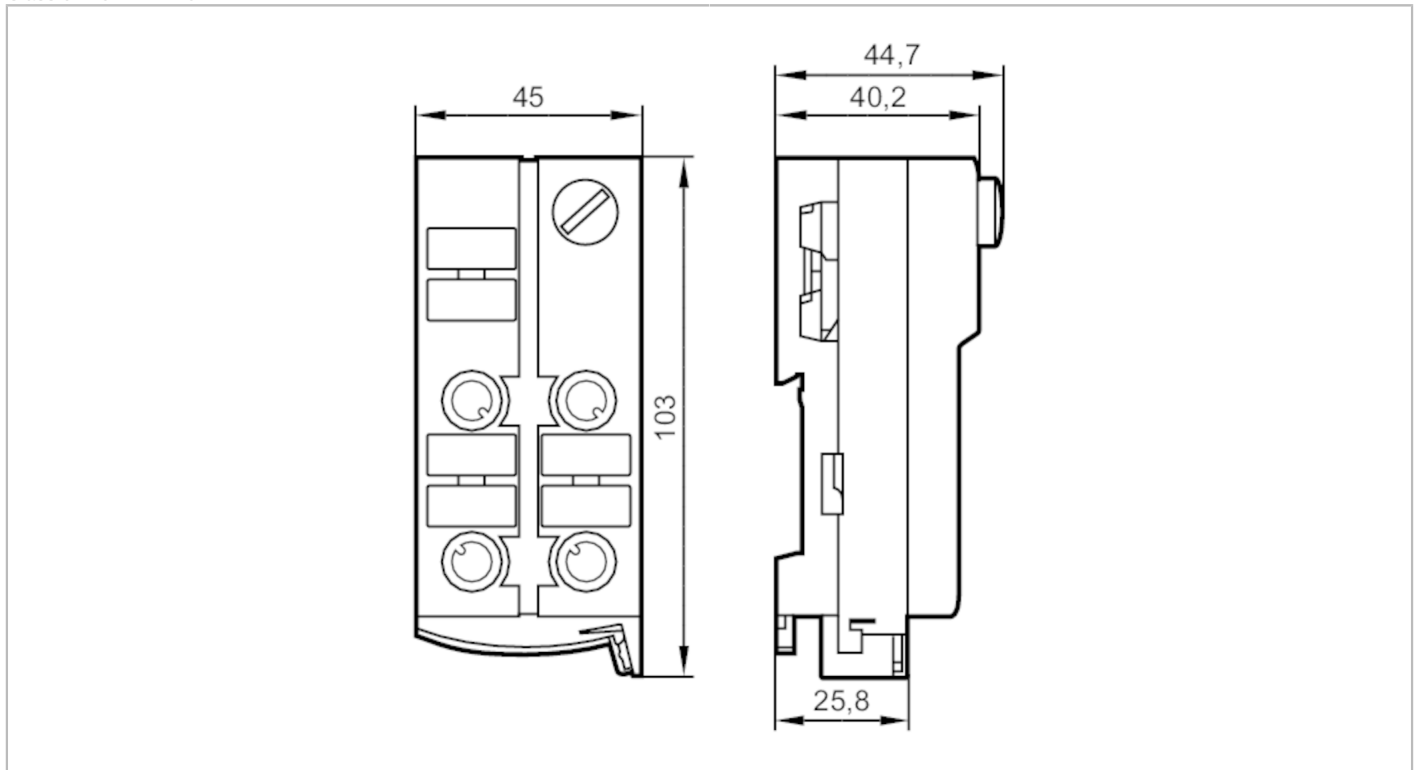


AC5291



AS-Interface ClassicLine module with quick mounting technology

ClassicLine 4DI-Y IP67



Application	
Application	field installation
Electrical data	
Operating voltage [V]	26.5...31.6 DC
Max. current consumption from AS-i [mA]	250
Max. current load total [A]	4; (max. current rating of the piercing points)
Inputs / outputs	
Number of inputs and outputs	Number of digital inputs: 4
Inputs	
Number of digital inputs	4
Input circuit of digital inputs	PNP
Sensor supply of the inputs	AS-i
Voltage supply [V]	18...30; (via flat cable)
Max. total current rating of inputs [mA]	200
Input current High [mA]	6...10
Input current low [mA]	0...2
Switching level high [V]	> 11
Digital inputs protected against short circuits	yes
Operating conditions	
Ambient temperature [°C]	-25...70



AS-Interface ClassicLine module with quick mounting technology

ClassicLine 4DI-Y IP67

Protection

IP 67

Tests / approvals

EMC	EN 50295	
	IEC 61000-6-2	
MTTF	[years]	405

AS-i classification

AS-i version	2.11; 3.0				
AS-i addressing	Addressing socket				
Extended addressing mode	yes				
AS-i master profile	M2; M3; M4				
AS-i profile	S-0.A.E				
AS-i I/O configuration	[hex]	0			
AS-i ID code	[hex]	A.E			
Data bits	Data bit	D0	D1	D2	D3
	Input	1	2	3	4
	Socket	I-1/2	I-1/2 I-2	I-3/4	I-3/4 I-4
	Pin	4	2 4	4	2 4

Mechanical data

Weight	[g]	157.35
Type of mounting	AS-i flat cable connection	
Material	PA; Piercing contacts: CuSn6 nickel-plated and tin-plated	

Displays / operating elements

Display	Power	LED, green
	errors	LED, red
	Function	LED, yellow

Electrical connection

Module connection	Flat cable
-------------------	------------

Accessories

Items supplied	lower part Flat cable blank
Accessories (optional)	Protective cap: M12, E73004

Remarks

Remarks	cULus - Class 2 source required The module allows the distribution of the AS-i voltage. Flat cable blank to cover the unused cable entry. Do not connect any of the following points to an external potential: I-, I+, I-1/2, I-2, I-3/4, I-4 The connections are electrically connected with the AS-i cable.
Pack quantity	1 pcs.



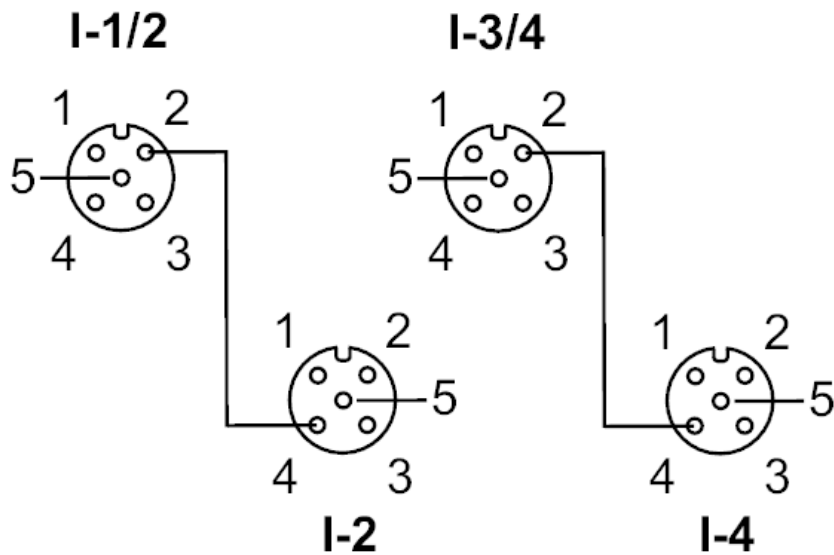
AS-Interface ClassicLine module with quick mounting technology

ClassicLine 4DI-Y IP67

Electrical connection

quick mounting technology for AS-i flat cable: ; three selectable directions

Connection



Connector: M12

	Inputs
	Socket I-1/2
1	Sensor supply L+
2	Data input 2
3	Sensor supply L-
4	Data input 1
5	not used
	Socket I-2
1	Sensor supply L+
2	not used
3	Sensor supply L-
4	Data input 2
5	not used
	Socket I-3/4
1	voltage supply L+
2	Data input 4
3	Sensor supply L-
4	Data input 3
5	not used
	Socket I-4
1	Sensor supply L+
2	not used
3	Sensor supply L-
4	Data input 4
5	not used