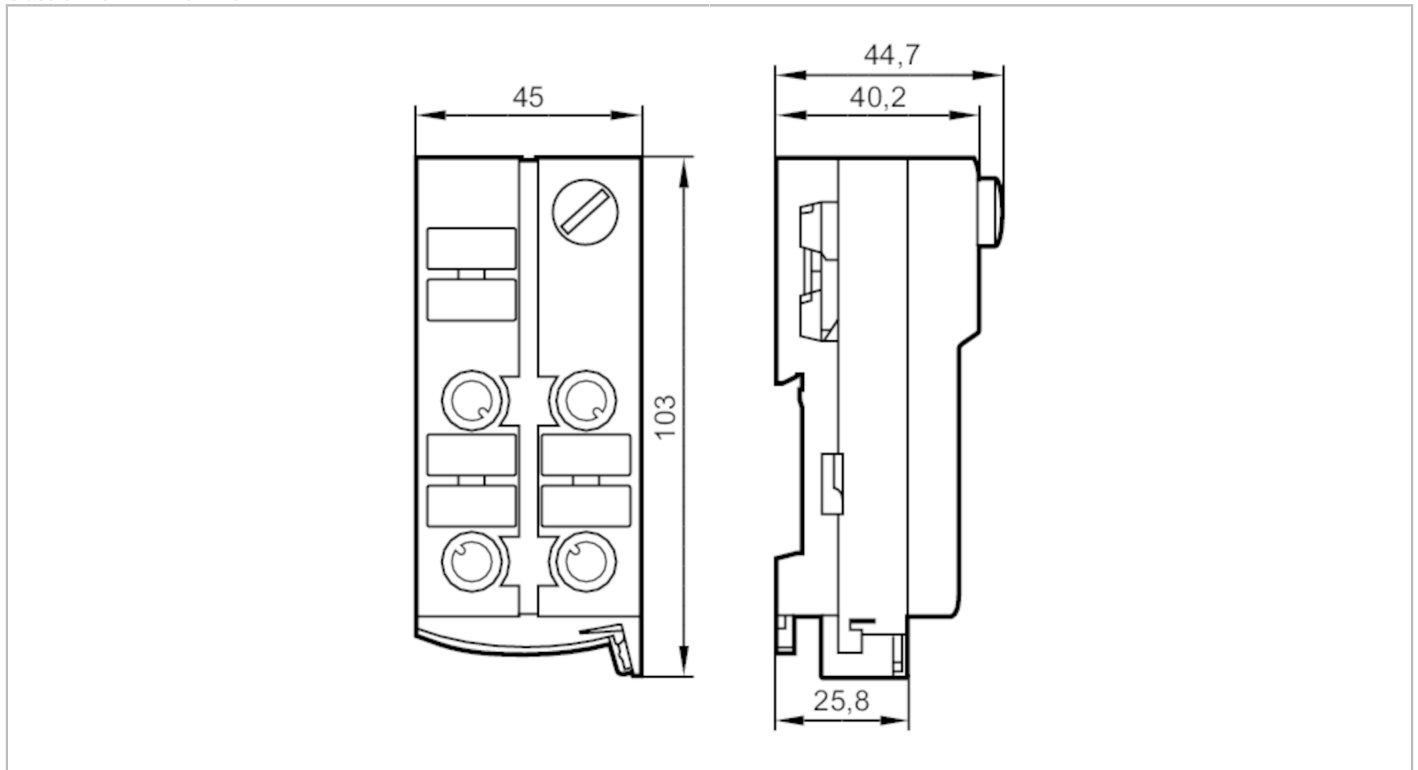


# AC5290



## AS-Interface ClassicLine module with quick mounting technology

ClassicLine 4DI-Y AUX IP67



Application	
Application	field installation
Electrical data	
Operating voltage [V]	26.5...31.6 DC; (cULus - Class 2 source required)
Max. current consumption from AS-i [mA]	30
Inputs / outputs	
Number of inputs and outputs	Number of digital inputs: 4
Inputs	
Number of digital inputs	4
Input circuit of digital inputs	PNP
Sensor supply of the inputs	AUX
Voltage supply [V]	20...30; (via flat cable)
Max. total current rating of inputs [mA]	1000
Input current High [mA]	6...10
Input current low [mA]	0...2
Switching level high [V]	> 11
Digital inputs protected against short circuits	yes
Operating conditions	
Ambient temperature [°C]	-25...70
Protection	IP 67

# AC5290



## AS-Interface ClassicLine module with quick mounting technology

ClassicLine 4DI-Y AUX IP67

Tests / approvals																															
EMC	EN 50295 IEC 61000-6-2																														
MTTF [years]	225																														
AS-i classification																															
AS-i version	2.11; 3.0																														
AS-i addressing	Addressing socket																														
Extended addressing mode	yes																														
AS-i master profile	M2; M3; M4																														
AS-i profile	S-0.A.E																														
AS-i I/O configuration [hex]	0																														
AS-i ID code [hex]	A.E																														
Data bits	<table border="1"> <thead> <tr> <th>Data bit</th> <th>D0</th> <th>D1</th> <th>D2</th> <th>D3</th> </tr> </thead> <tbody> <tr> <td>Input</td> <td>1</td> <td>2</td> <td>3</td> <td>4</td> </tr> <tr> <td>Socket</td> <td>I-1/2</td> <td>I-1/2 I-2</td> <td>I-3/4</td> <td>I-3/4 I-4</td> </tr> <tr> <td>Pin</td> <td>4</td> <td>2 4</td> <td>4</td> <td>2 4</td> </tr> </tbody> </table>	Data bit	D0	D1	D2	D3	Input	1	2	3	4	Socket	I-1/2	I-1/2 I-2	I-3/4	I-3/4 I-4	Pin	4	2 4	4	2 4										
Data bit	D0	D1	D2	D3																											
Input	1	2	3	4																											
Socket	I-1/2	I-1/2 I-2	I-3/4	I-3/4 I-4																											
Pin	4	2 4	4	2 4																											
Parameter bits	<table border="1"> <thead> <tr> <th>Parameter bit</th> <th>Description</th> <th></th> <th></th> <th></th> <th></th> </tr> </thead> <tbody> <tr> <td>P0</td> <td>not used</td> <td></td> <td></td> <td></td> <td></td> </tr> <tr> <td>P1</td> <td>peripheral fault indication</td> <td>: 1</td> <td>activated</td> <td>* / 0</td> <td>disabled</td> </tr> <tr> <td>P2</td> <td>not used</td> <td></td> <td></td> <td></td> <td></td> </tr> <tr> <td>P3</td> <td>not used</td> <td></td> <td></td> <td></td> <td></td> </tr> </tbody> </table>	Parameter bit	Description					P0	not used					P1	peripheral fault indication	: 1	activated	* / 0	disabled	P2	not used					P3	not used				
Parameter bit	Description																														
P0	not used																														
P1	peripheral fault indication	: 1	activated	* / 0	disabled																										
P2	not used																														
P3	not used																														
Mechanical data																															
Weight [g]	173																														
Type of mounting	AS-i flat cable connection																														
Material	PA; Piercing contacts: CuSn6 nickel-plated and tin-plated																														
Displays / operating elements																															
Display	Power	LED, green Voltage AUX > 7 V																													
	errors	LED, red AUX 15 V ± 2 V																													
	Function	LED, yellow																													
Electrical connection																															
Module connection	Flat cable																														
Accessories																															
Items supplied	lower part																														
Accessories (optional)	Protective cap: M12, E73004																														
Remarks																															
Pack quantity	1 pcs.																														



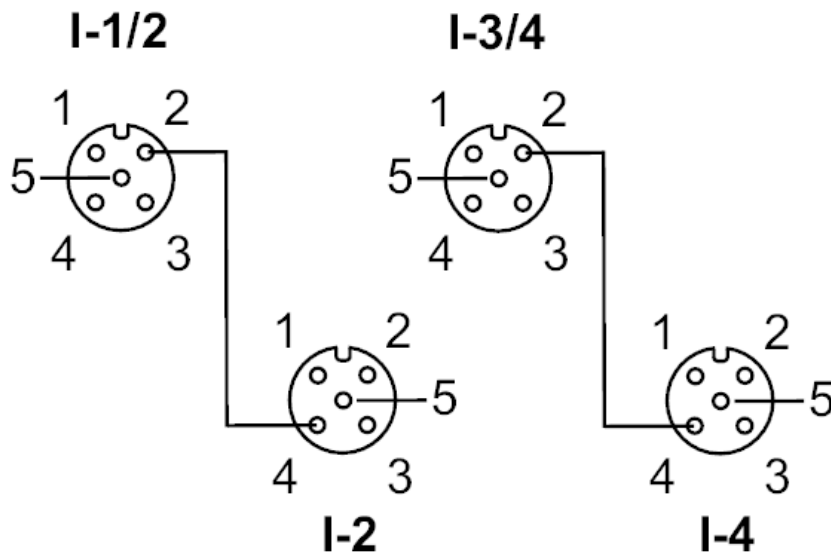
## AS-Interface ClassicLine module with quick mounting technology

ClassicLine 4DI-Y AUX IP67

### Electrical connection

quick mounting technology for AS-i flat cable: ; three selectable directions

#### Connection



Connector: M12

	Inputs
	Socket I-1/2
1	Sensor supply L+
2	Data input 2
3	Sensor supply L-
4	Data input 1
5	not used
	Socket I-2
1	Sensor supply L+
2	not used
3	Sensor supply L-
4	Data input 2
5	not used
	Socket I-3/4
1	voltage supply L+
2	Data input 4
3	Sensor supply L-
4	Data input 3
5	not used
	Socket I-4
1	Sensor supply L+
2	not used
3	Sensor supply L-
4	Data input 4
5	not used