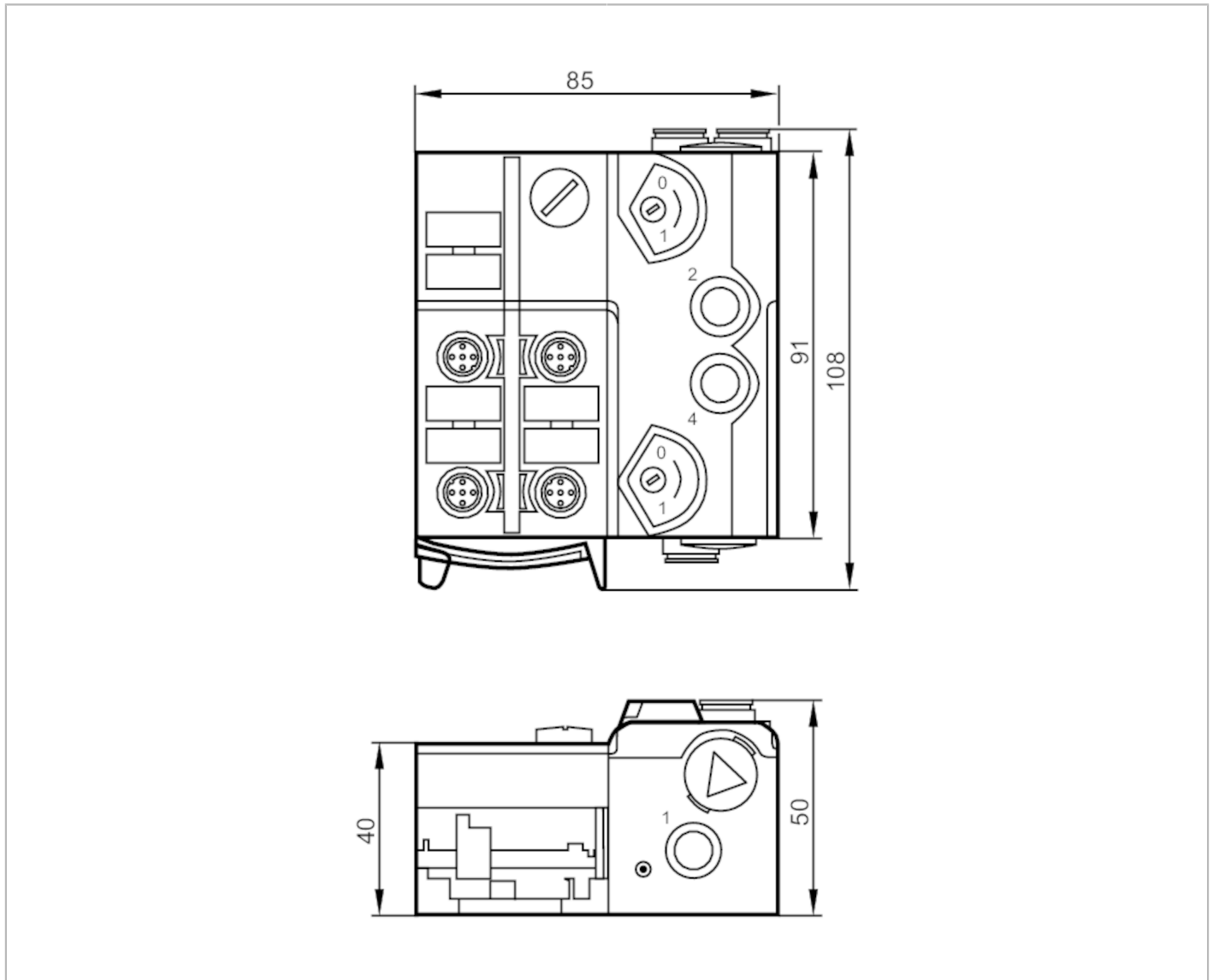


AC528A



AS-Interface Airbox with quick mounting technology

AirBox 2x3/2 4DI-Y II 3D



Application	
Application	AS-i ATEX module
Electrical data	
Operating voltage [V]	26.5...31.6 DC
Max. current consumption from AS-i [mA]	280
Integrated watchdog	yes
Inputs / outputs	
Number of inputs and outputs	Number of digital inputs: 4; Number of pneumatic outputs: 2
Inputs	
Number of digital inputs	4
Input circuit of digital inputs	PNP
Sensor supply of the inputs	AS-i
Voltage supply [V]	20...30; (via flat cable)

AC528A



AS-Interface Airbox with quick mounting technology

AirBox 2x3/2 4DI-Y II 3D

Max. total current rating of inputs	[mA]	200
Input current High	[mA]	6...10
Input current low	[mA]	0...2
Switching level high	[V]	> 11
Digital inputs protected against short circuits		yes

Outputs		
Electrical design		AS-i
Number of pneumatic outputs		2

Operating conditions		
Ambient temperature	[°C]	-10...50
Protection		IP 50

Tests / approvals		
ATEX marking		Ex II 3D Ex tc IIIB T80°C Dc X IP50
EMC		EN 50295 IEC 61000-6-2
MTTF	[years]	287

AS-i classification																											
AS-i version		2.11; 3.0																									
AS-i addressing		Addressing socket																									
Extended addressing mode		yes																									
AS-i master profile		M2; M3; M4																									
AS-i profile		S-7.A.E																									
AS-i I/O configuration	[hex]	7																									
AS-i ID code	[hex]	A.E																									
AS-i certificate pending		yes																									
Data bits		<table border="1"> <thead> <tr> <th>Data bit</th> <th>D0</th> <th>D1</th> <th>D2</th> <th>D3</th> </tr> </thead> <tbody> <tr> <td>Input</td> <td>1</td> <td>2</td> <td>3</td> <td>4</td> </tr> <tr> <td>Socket</td> <td>I-1/2</td> <td>I-1/2 I-2</td> <td>I-3/4</td> <td>I-3/4 I-4</td> </tr> <tr> <td>Pin</td> <td>4</td> <td>2 4</td> <td>4</td> <td>2 4</td> </tr> <tr> <td>pneumatic output</td> <td>2</td> <td>4</td> <td>-</td> <td>-</td> </tr> </tbody> </table>	Data bit	D0	D1	D2	D3	Input	1	2	3	4	Socket	I-1/2	I-1/2 I-2	I-3/4	I-3/4 I-4	Pin	4	2 4	4	2 4	pneumatic output	2	4	-	-
Data bit	D0	D1	D2	D3																							
Input	1	2	3	4																							
Socket	I-1/2	I-1/2 I-2	I-3/4	I-3/4 I-4																							
Pin	4	2 4	4	2 4																							
pneumatic output	2	4	-	-																							

Mechanical data		
Weight	[g]	415.5
Type of mounting		quick mounting
Material		PA; POM; Piercing contacts: CuSn6 nickel-plated and tin-plated
Pneumatic system		2 x 3/2-way slide valves (free from overlapping)
Operating pressure range	[bar]	2...8
Operating pressure range	[MPa]	0.2...0.8
Air flow at 6/5 bar	[l/min]	500
Permissible compressed air		non-lubricated compressed air class 6-3-1; lubricated compressed air class 6-3-4
Manual override		pressing/releasing or pressing/turning/locking
Tube fittings		8 mm
Exhaust		exhaust can be discharged through tube connection

AC528A



AS-Interface Airbox with quick mounting technology

AirBox 2x3/2 4DI-Y II 3D

Displays / operating elements		
Display	Power	LED, green
	errors	LED, red
	Function	LED, yellow
Electrical connection		
Module connection	Flat cable	
Accessories		
Items supplied	lower part	
Accessories (optional)	Mounting plate:, E74999	
	Module lower part:, E75000	
	Protective cap: M12, E73004	
	sealing plug:, E75231	
	impact protection housing:, E7000A	
	Silencer:, E75232	
	Push-in L-fitting:, E75228	
	Push-in T-fitting:, E75227	
Remarks		
Remarks	Mechanical protection has to be implemented.	
	Otherwise the unit must be installed together with the impact protection housing (E7000A).	
	If not pneumatically operated, E75231 sealing plug must be inserted.	
	Avoid ingress of dirt and dust.	
	Do not connect any of the following points to an external potential:	
	L-, L+, I-1, I-2, I-3, I-4	
	The connections are electrically connected with the AS-i cable.	
	Please see the notes on compressed air and EMC/ESD under "Downloads"	
Pack quantity	1 pcs.	



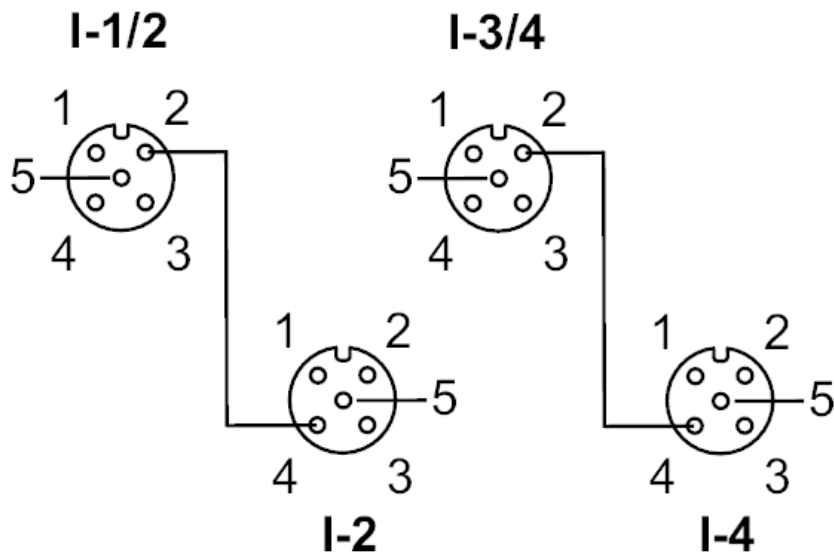
AS-Interface Airbox with quick mounting technology

AirBox 2x3/2 4DI-Y II 3D

Electrical connection

quick mounting technology for AS-i flat cable: ; three selectable directions

Connection



Connector: M12

	Inputs
	Socket I-1/2
1	Sensor supply L+
2	Data input 2
3	Sensor supply L-
4	Data input 1
5	not used
	Socket I-2
1	Sensor supply L+
2	not used
3	Sensor supply L-
4	Data input 2
5	not used
	Socket I-3/4
1	voltage supply L+
2	Data input 4
3	Sensor supply L-
4	Data input 3
5	not used
	Socket I-4
1	Sensor supply L+
2	not used
3	Sensor supply L-
4	Data input 4
5	not used

AC528A

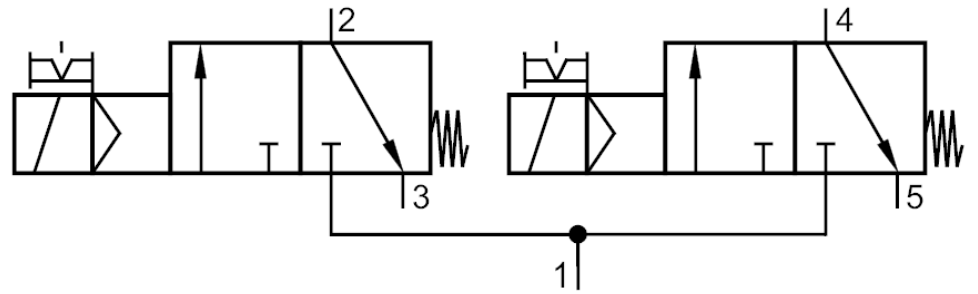


AS-Interface Airbox with quick mounting technology

AirBox 2x3/2 4DI-Y II 3D

Diagrams and graphs

Pneumatic symbol



2 x 3/2-way slide valves (free from overlapping)