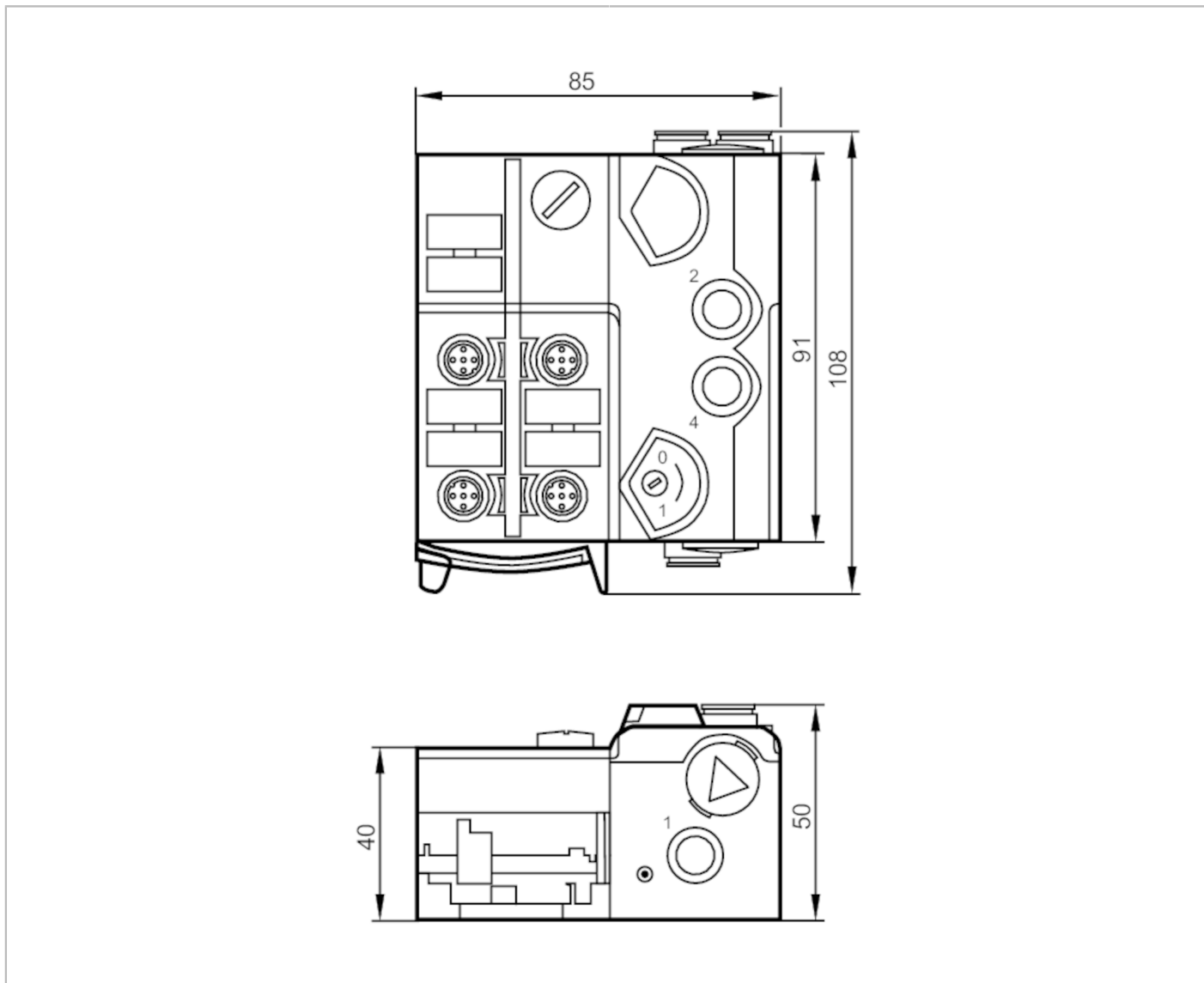


AC5249



AS-Interface Airbox with quick mounting technology

AirBox 5/2 4DI-Y IP67 AUX



Application	
Application	field installation
Medium temperature [°C]	-10...50
Electrical data	
Operating voltage [V]	26.5...31.6 DC
Max. current consumption from AS-i [mA]	300
Additional voltage supply [V]	18...30 DC; (to PELV)
Additional voltage supply	required
Max. current consumption from additional supply [mA]	10
Integrated watchdog	yes
Inputs / outputs	
Number of inputs and outputs	Number of digital inputs: 4; Number of pneumatic outputs: 1



AS-Interface Airbox with quick mounting technology

AirBox 5/2 4DI-Y IP67 AUX

Inputs																										
Number of digital inputs	4																									
Input circuit of digital inputs	PNP																									
Sensor supply of the inputs	AS-i																									
Voltage supply [V]	20...30; (via flat cable)																									
Max. total current rating of inputs [mA]	200																									
Input current High [mA]	6...10																									
Input current low [mA]	0...2																									
Switching level high [V]	> 11																									
Digital inputs protected against short circuits	yes																									
Outputs																										
Number of pneumatic outputs	1; (pneumatic NO/NC selectable output ; monostable; supply: external 24 V power supply)																									
Actuator supply outputs	AUX																									
Operating conditions																										
Ambient temperature [°C]	-10...55																									
Protection	IP 65; IP 67																									
Tests / approvals																										
EMC	EN 50295 IEC 61000-6-2																									
MTTF [years]	257																									
AS-i classification																										
AS-i version	2.11; 3.0																									
AS-i addressing	Addressing socket																									
Extended addressing mode	yes																									
AS-i master profile	M2; M3; M4																									
AS-i profile	S-7.A.E																									
AS-i I/O configuration [hex]	7																									
AS-i ID code [hex]	A.E																									
Data bits	<table border="1"> <thead> <tr> <th>Data bit</th> <th>D0</th> <th>D1</th> <th>D2</th> <th>D3</th> </tr> </thead> <tbody> <tr> <td>Input</td> <td>1</td> <td>2</td> <td>3</td> <td>4</td> </tr> <tr> <td>Socket</td> <td>I-1/2</td> <td>I-1/2 I-2</td> <td>I-3/4</td> <td>I-3/4 I-4</td> </tr> <tr> <td>Pin</td> <td>4</td> <td>2 4</td> <td>4</td> <td>2 4</td> </tr> <tr> <td>pneumatic output</td> <td>4</td> <td>-</td> <td>-</td> <td>-</td> </tr> </tbody> </table>	Data bit	D0	D1	D2	D3	Input	1	2	3	4	Socket	I-1/2	I-1/2 I-2	I-3/4	I-3/4 I-4	Pin	4	2 4	4	2 4	pneumatic output	4	-	-	-
Data bit	D0	D1	D2	D3																						
Input	1	2	3	4																						
Socket	I-1/2	I-1/2 I-2	I-3/4	I-3/4 I-4																						
Pin	4	2 4	4	2 4																						
pneumatic output	4	-	-	-																						
Mechanical data																										
Weight [g]	369																									
Type of mounting	quick mounting																									
Material	PA; POM; Piercing contacts: CuSn6 nickel-plated and tin-plated																									
Pneumatic system	1 x 5/2-way slide valve (free from overlapping)																									
Operating pressure range [bar]	3...8																									
Operating pressure range [MPa]	0.3...0.8																									
Operating pressure range [psi]	43.5...116																									
Air flow at 6/5 bar [l/min]	500																									
Permissible compressed air	non-lubricated compressed air class 6-3-1; lubricated compressed air class 6-3-4																									

AC5249



AS-Interface Airbox with quick mounting technology

AirBox 5/2 4DI-Y IP67 AUX

Manual override	pressing/releasing or pressing/turning/locking	
Tube fittings	8 mm	
Exhaust	exhaust can be discharged through tube connection	
Displays / operating elements		
Display	Power	LED, green
	errors	LED, red
	Function	LED, yellow
Electrical connection		
Module connection	Flat cable	
Accessories		
Items supplied	lower part	
Accessories (optional)	Mounting plate:, E74999	
	Module lower part:, E75000	
	Protective cap: M12, E73004	
	sealing plug:, E75231	
	Silencer:, E75232	
	Push-in L-fitting:, E75228	
Push-in T-fitting:, E75227		
Remarks		
Remarks	If not pneumatically operated, E75231 sealing plug must be inserted.	
	Avoid ingress of dirt and dust.	
	Do not connect any of the following points to an external potential:	
	L-, L+, I-1, I-2, I-3, I-4	
	The connections are electrically connected with the AS-i cable.	
Pack quantity	Please see the notes on compressed air and EMC/ESD under "Downloads"	
	1 pcs.	



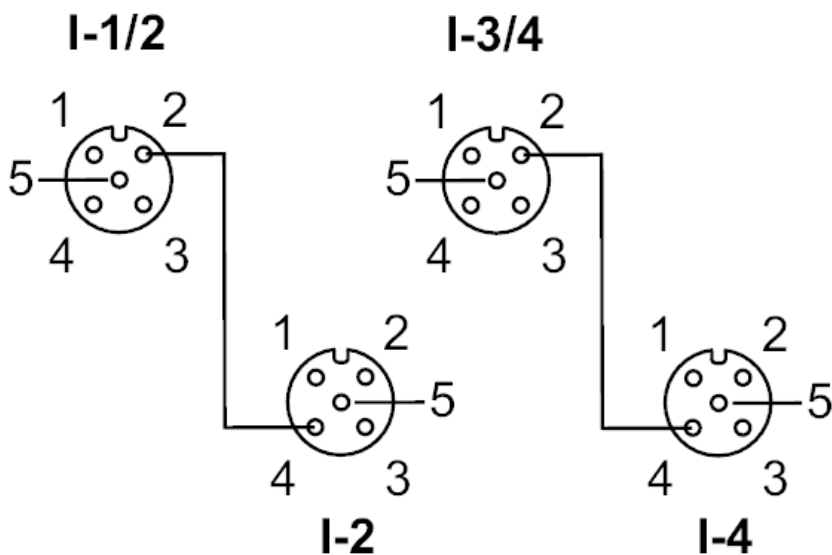
AS-Interface Airbox with quick mounting technology

AirBox 5/2 4DI-Y IP67 AUX

Electrical connection

quick mounting technology for AS-i flat cable: ; three selectable directions

Connection



Connector: M12

	Inputs
	Socket I-1/2
1	Sensor supply L+
2	Data input 2
3	Sensor supply L-
4	Data input 1
5	not used
	Socket I-2
1	Sensor supply L+
2	not used
3	Sensor supply L-
4	Data input 2
5	not used
	Socket I-3/4
1	voltage supply L+
2	Data input 4
3	Sensor supply L-
4	Data input 3
5	not used
	Socket I-4
1	Sensor supply L+
2	not used
3	Sensor supply L-
4	Data input 4
5	not used

AC5249

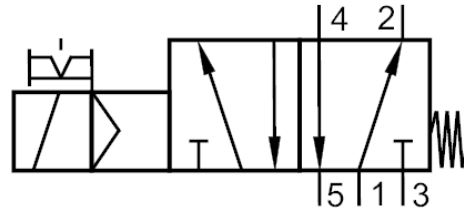


AS-Interface Airbox with quick mounting technology

AirBox 5/2 4DI-Y IP67 AUX

Diagrams and graphs

Pneumatic symbol



1 x 5/2-way slide valve (free from overlapping) monostable