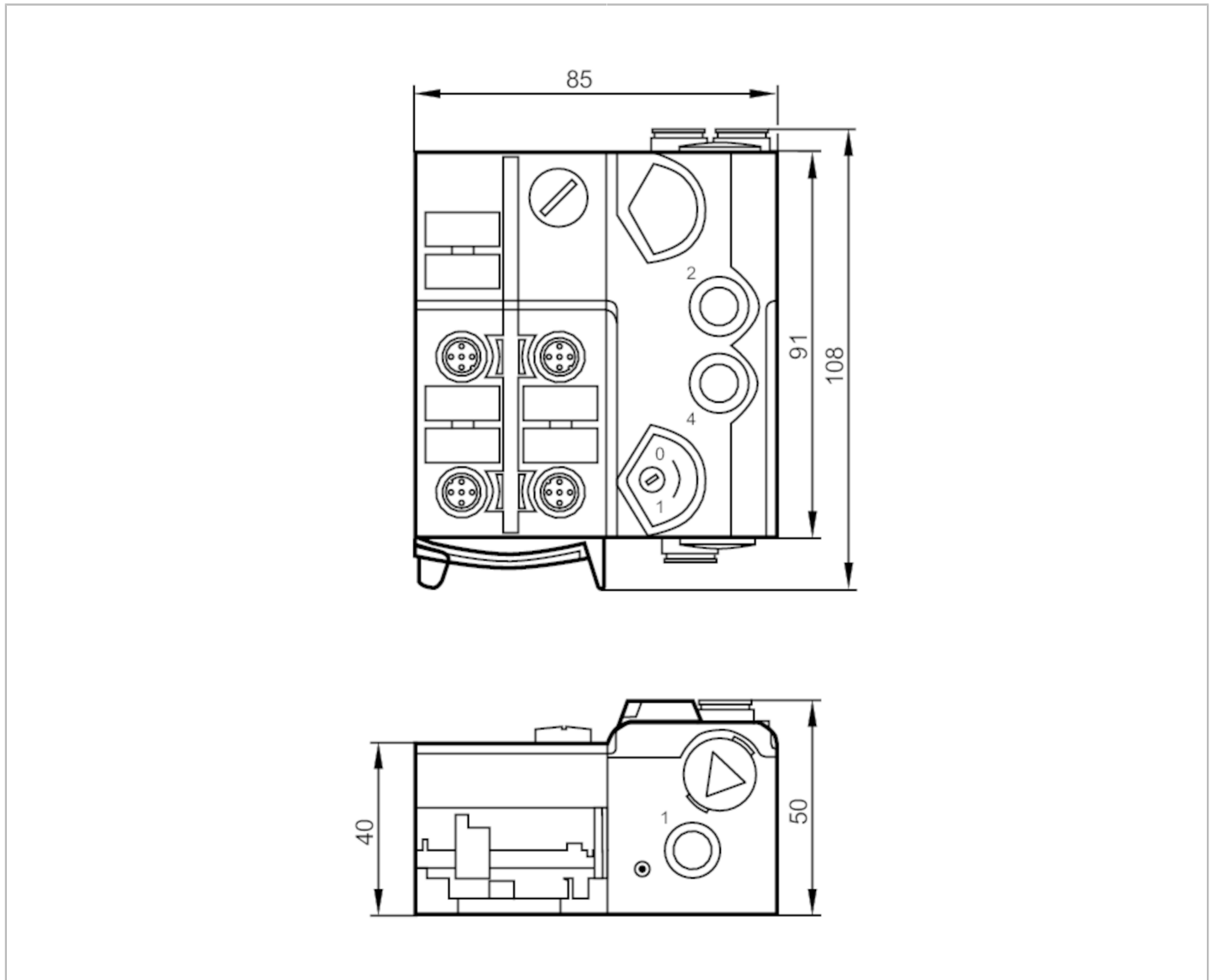


# AC5246



## AS-Interface Airbox with quick mounting technology

AirBox 5/2 4DI-Y IP67



Application	
Application	field installation
Medium temperature [°C]	-10...50
Electrical data	
Operating voltage [V]	26.5...31.6 DC
Max. current consumption from AS-i [mA]	300
Integrated watchdog	yes
Inputs / outputs	
Number of inputs and outputs	Number of digital inputs: 4; Number of pneumatic outputs: 1
Inputs	
Number of digital inputs	4
Input circuit of digital inputs	PNP
Sensor supply of the inputs	AS-i

# AC5246



## AS-Interface Airbox with quick mounting technology

AirBox 5/2 4DI-Y IP67

Voltage supply	[V]	20...30; (via flat cable)
Max. total current rating of inputs	[mA]	200
Input current High	[mA]	6...10
Input current low	[mA]	0...2
Switching level high	[V]	> 11
Digital inputs protected against short circuits		yes

### Outputs

Number of pneumatic outputs	1; (pneumatic NO/NC selectable output ; monostable)
Actuator supply outputs	AS-i

### Operating conditions

Ambient temperature	[°C]	-10...55
Protection		IP 65; IP 67

### Tests / approvals

EMC	EN 50295	
	IEC 61000-6-2	
MTTF	[years]	317

### AS-i classification

AS-i version	2.11; 3.0				
AS-i addressing	Addressing socket				
Extended addressing mode	yes				
AS-i master profile	M2; M3; M4				
AS-i profile	S-7.A.E				
AS-i I/O configuration	[hex]	7			
AS-i ID code	[hex]	A.E			
Data bits	Data bit	D0	D1	D2	D3
	Input	1	2	3	4
	Socket	I-1/2	I-1/2 I-2	I-3/4	I-3/4 I-4
	Pin	4	2 4	4	2 4
	pneumatic output	4	-	-	-

### Mechanical data

Weight	[g]	365.5
Type of mounting		quick mounting
Material		PA; POM; Piercing contacts: CuSn6 nickel-plated and tin-plated
Pneumatic system		1 x 5/2-way slide valve (free from overlapping)
Operating pressure range	[bar]	3...8
Operating pressure range	[MPa]	0.3...0.8
Operating pressure range	[psi]	43.5...116
Air flow at 6/5 bar	[l/min]	500
Permissible compressed air		non-lubricated compressed air class 6-3-1; lubricated compressed air class 6-3-4
Manual override		pressing/releasing or pressing/turning/locking
Tube fittings		8 mm
Exhaust		exhaust can be discharged through tube connection

# AC5246



## AS-Interface Airbox with quick mounting technology

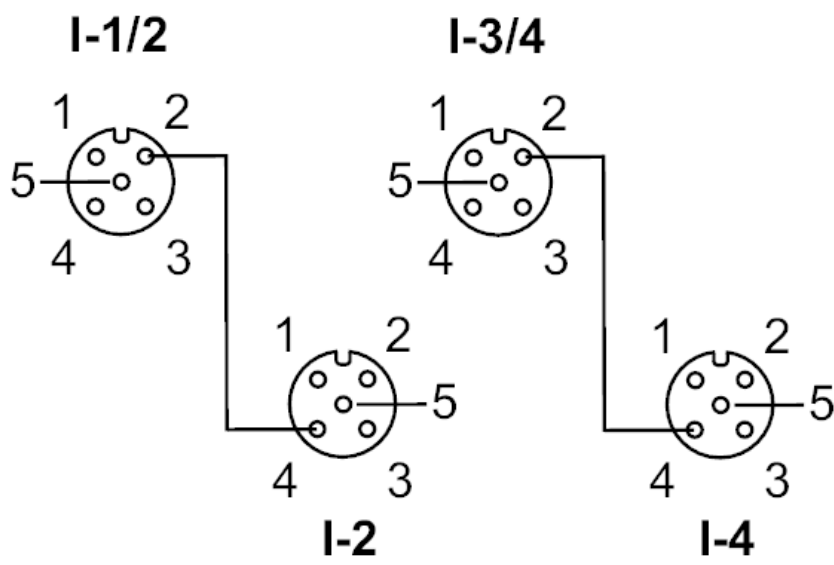
AirBox 5/2 4DI-Y IP67

Displays / operating elements		
Display	Power	LED, green
	errors	LED, red
	Function	LED, yellow
Electrical connection		
Module connection	Flat cable	
Accessories		
Items supplied	lower part	
Accessories (optional)	Mounting plate:, E74999	
	Module lower part:, E75000	
	Protective cap: M12, E73004	
	sealing plug:, E75231	
	Silencer:, E75232	
	Push-in L-fitting:, E75228	
	Push-in T-fitting:, E75227	
Remarks		
Remarks	If not pneumatically operated, E75231 sealing plug must be inserted.	
	Avoid ingress of dirt and dust.	
	Do not connect any of the following points to an external potential:	
	L-, L+, I-1, I-2, I-3, I-4	
	The connections are electrically connected with the AS-i cable.	
Pack quantity	Please see the notes on compressed air and EMC/ESD under "Downloads"	
	1 pcs.	

### Electrical connection

quick mounting technology for AS-i flat cable: ; three selectable directions

#### Connection





## AS-Interface Airbox with quick mounting technology

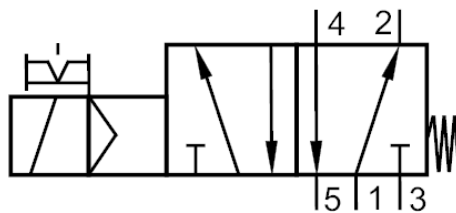
AirBox 5/2 4DI-Y IP67

Connector: M12

Inputs	
	Socket I-1/2
1	Sensor supply L+
2	Data input 2
3	Sensor supply L-
4	Data input 1
5	not used
	Socket I-2
1	Sensor supply L+
2	not used
3	Sensor supply L-
4	Data input 2
5	not used
	Socket I-3/4
1	voltage supply L+
2	Data input 4
3	Sensor supply L-
4	Data input 3
5	not used
	Socket I-4
1	Sensor supply L+
2	not used
3	Sensor supply L-
4	Data input 4
5	not used

### Diagrams and graphs

Pneumatic symbol



1 x 5/2-way slide valve (free from overlapping) monostable