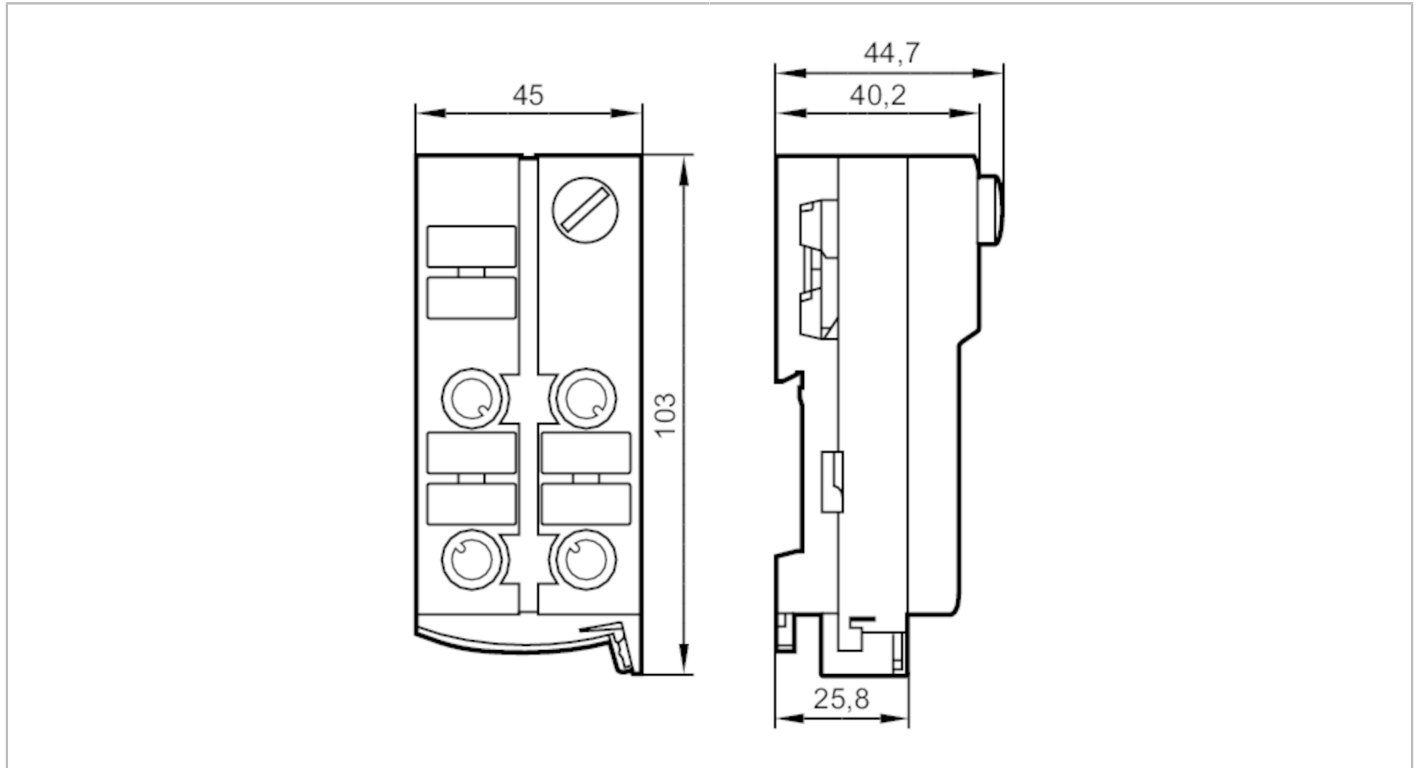


# AC5234



## AS-Interface ClassicLine module with quick mounting technology

ClassicL 2DO-Y 2DI-Y 2A IP67



| Application                                     |   |
|---|---|
| Application                                     | field installation  |
| Electrical data                                 |   |
| Operating voltage [V]                           | 26.5...31.6 DC; (cULus - Class 2 source required)         |
| Max. current consumption from AS-i [mA]         | 150   |
| Max. current load total [A]                     | 4   |
| Integrated watchdog                             | yes   |
| Inputs / outputs                                |   |
| Number of inputs and outputs                    | Number of digital inputs: 2; Number of digital outputs: 2 |
| Inputs  |   |
| Number of digital inputs                        | 2   |
| Input circuit of digital inputs                 | PNP   |
| Sensor supply of the inputs                     | AS-i  |
| Voltage supply [V]                              | 18...30; (via flat cable)                                 |
| Max. total current rating of inputs [mA]        | 100   |
| Input current High [mA]                         | 6...10  |
| Input current low [mA]                          | 0...2   |
| Switching level high [V]                        | > 11  |
| Digital inputs protected against short circuits | yes   |



## AS-Interface ClassicLine module with quick mounting technology

ClassicL 2DO-Y 2DI-Y 2A IP67

| Outputs                           |  |
|-----------------------------------|--|
| Number of digital outputs         | 2  |
| Circuit                           | PNP  |
| Voltage range DC [V]              | 15...30; (to PELV; via flat cable)   |
| Max. current load per output [mA] | 2000; (utilization category DC-13 (control of electromagnets): 40 W (IEC 60947-5-1)) |
| Short-circuit proof               | yes  |
| Electrically separated            | yes  |
| Actuator supply outputs           | AUX  |

| Operating conditions     |          |
|--------------------------|----------|
| Ambient temperature [°C] | -25...70 |
| Protection               | IP 67    |

| Tests / approvals |               |
|-------------------|---------------|
| EMC               | EN 50295      |
|                   | IEC 61000-6-2 |

| AS-i classification          |   |             |       |           |    |    |       |   |   |   |   |        |   |   |       |           |     |   |   |   |     |        |   |   |   |   |        |       |             |   |   |     |   |     |   |   |
|------------------------------|---|-------------|-------|-----------|----|----|-------|---|---|---|---|--------|---|---|-------|-----------|-----|---|---|---|-----|--------|---|---|---|---|--------|-------|-------------|---|---|-----|---|-----|---|---|
| AS-i version                 | 2.11; 3.0   |             |       |           |    |    |       |   |   |   |   |        |   |   |       |           |     |   |   |   |     |        |   |   |   |   |        |       |             |   |   |     |   |     |   |   |
| AS-i addressing              | Addressing socket   |             |       |           |    |    |       |   |   |   |   |        |   |   |       |           |     |   |   |   |     |        |   |   |   |   |        |       |             |   |   |     |   |     |   |   |
| Extended addressing mode     | yes   |             |       |           |    |    |       |   |   |   |   |        |   |   |       |           |     |   |   |   |     |        |   |   |   |   |        |       |             |   |   |     |   |     |   |   |
| AS-i master profile          | M2; M3; M4  |             |       |           |    |    |       |   |   |   |   |        |   |   |       |           |     |   |   |   |     |        |   |   |   |   |        |       |             |   |   |     |   |     |   |   |
| AS-i profile                 | S-B.A.E   |             |       |           |    |    |       |   |   |   |   |        |   |   |       |           |     |   |   |   |     |        |   |   |   |   |        |       |             |   |   |     |   |     |   |   |
| AS-i I/O configuration [hex] | B   |             |       |           |    |    |       |   |   |   |   |        |   |   |       |           |     |   |   |   |     |        |   |   |   |   |        |       |             |   |   |     |   |     |   |   |
| AS-i ID code [hex]           | A.E   |             |       |           |    |    |       |   |   |   |   |        |   |   |       |           |     |   |   |   |     |        |   |   |   |   |        |       |             |   |   |     |   |     |   |   |
| Data bits                    | <table border="1"> <thead> <tr> <th>Data bit</th> <th>D0</th> <th>D1</th> <th>D2</th> <th>D3</th> </tr> </thead> <tbody> <tr> <td>Input</td> <td>-</td> <td>-</td> <td>3</td> <td>4</td> </tr> <tr> <td>Socket</td> <td>-</td> <td>-</td> <td>I-3/4</td> <td>I-3/4 I-4</td> </tr> <tr> <td>Pin</td> <td>-</td> <td>-</td> <td>4</td> <td>2 4</td> </tr> <tr> <td>Output</td> <td>1</td> <td>2</td> <td>-</td> <td>-</td> </tr> <tr> <td>Socket</td> <td>O-1/2</td> <td>O-1/2 / O-2</td> <td>-</td> <td>-</td> </tr> <tr> <td>Pin</td> <td>4</td> <td>2 4</td> <td>-</td> <td>-</td> </tr> </tbody> </table> | Data bit    | D0    | D1        | D2 | D3 | Input | - | - | 3 | 4 | Socket | - | - | I-3/4 | I-3/4 I-4 | Pin | - | - | 4 | 2 4 | Output | 1 | 2 | - | - | Socket | O-1/2 | O-1/2 / O-2 | - | - | Pin | 4 | 2 4 | - | - |
| Data bit                     | D0  | D1          | D2    | D3        |    |    |       |   |   |   |   |        |   |   |       |           |     |   |   |   |     |        |   |   |   |   |        |       |             |   |   |     |   |     |   |   |
| Input                        | -   | -           | 3     | 4         |    |    |       |   |   |   |   |        |   |   |       |           |     |   |   |   |     |        |   |   |   |   |        |       |             |   |   |     |   |     |   |   |
| Socket                       | -   | -           | I-3/4 | I-3/4 I-4 |    |    |       |   |   |   |   |        |   |   |       |           |     |   |   |   |     |        |   |   |   |   |        |       |             |   |   |     |   |     |   |   |
| Pin                          | -   | -           | 4     | 2 4       |    |    |       |   |   |   |   |        |   |   |       |           |     |   |   |   |     |        |   |   |   |   |        |       |             |   |   |     |   |     |   |   |
| Output                       | 1   | 2           | -     | -         |    |    |       |   |   |   |   |        |   |   |       |           |     |   |   |   |     |        |   |   |   |   |        |       |             |   |   |     |   |     |   |   |
| Socket                       | O-1/2   | O-1/2 / O-2 | -     | -         |    |    |       |   |   |   |   |        |   |   |       |           |     |   |   |   |     |        |   |   |   |   |        |       |             |   |   |     |   |     |   |   |
| Pin                          | 4   | 2 4         | -     | -         |    |    |       |   |   |   |   |        |   |   |       |           |     |   |   |   |     |        |   |   |   |   |        |       |             |   |   |     |   |     |   |   |

| Mechanical data  |   |
|------------------|---|
| Weight [g]       | 187.5   |
| Type of mounting | AS-i flat cable connection                                |
| Material         | PA; Piercing contacts: CuSn6 nickel-plated and tin-plated |

| Displays / operating elements |          |             |
|-------------------------------|----------|-------------|
| Display                       | Power    | LED, green  |
|                               | errors   | LED, red    |
|                               | Function | LED, yellow |

| Electrical connection |            |
|-----------------------|------------|
| Module connection     | Flat cable |

| Accessories            |                             |
|------------------------|-----------------------------|
| Items supplied         | lower part                  |
| Accessories (optional) | Protective cap: M12, E73004 |



## AS-Interface ClassicLine module with quick mounting technology

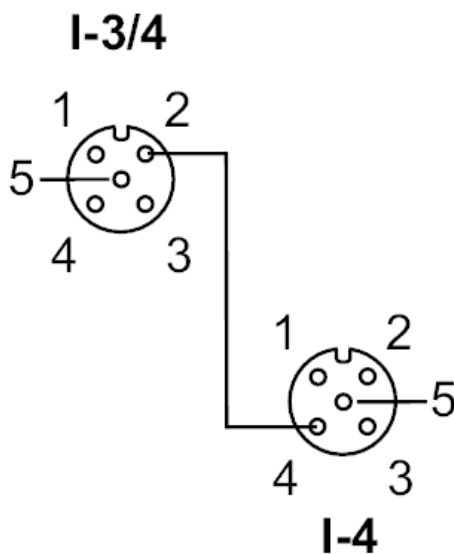
ClassicL 2DO-Y 2DI-Y 2A IP67

| Remarks       |  |
|---------------|--|
| Remarks       | Inputs and outputs must be electrically isolated.<br>Do not connect any of the following points to an external potential:<br>L-, L+, I-3/4, I-4<br>The connections are electrically connected with the AS-i cable. |
| Pack quantity | 1 pcs.   |

**Electrical connection**  
quick mounting technology for AS-i flat cable: ; three selectable directions

### Electrical connection - Inputs

Connection



Connector: M12

| Inputs       |                  |
|--------------|------------------|
| Socket I-3/4 |                  |
| 1            | Sensor supply L+ |
| 2            | Data input 4     |
| 3            | Sensor supply L- |
| 4            | Data input 3     |
| 5            | not used         |
| Socket I-4   |                  |
| 1            | Sensor supply L+ |
| 2            | not used         |
| 3            | Sensor supply L- |
| 4            | Data input 4     |
| 5            | not used         |

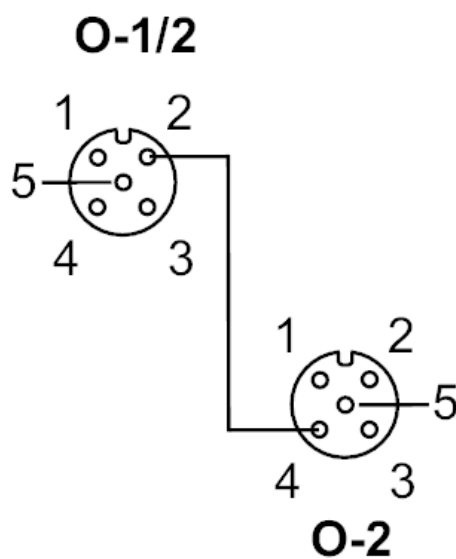


## AS-Interface ClassicLine module with quick mounting technology

ClassicL 2DO-Y 2DI-Y 2A IP67

### Electrical connection - Outputs

#### Connection



Connector: M12

| Outputs      |                        |
|--------------|------------------------|
| Socket O-1/2 |                        |
| 1            | not used               |
| 2            | Switching output 2     |
| 3            | External voltage AUX - |
| 4            | Switching output 1     |
| 5            | not used               |
| Socket O-2   |                        |
| 1            | not used               |
| 2            | not used               |
| 3            | External voltage AUX - |
| 4            | Switching output 2     |
| 5            | not used               |