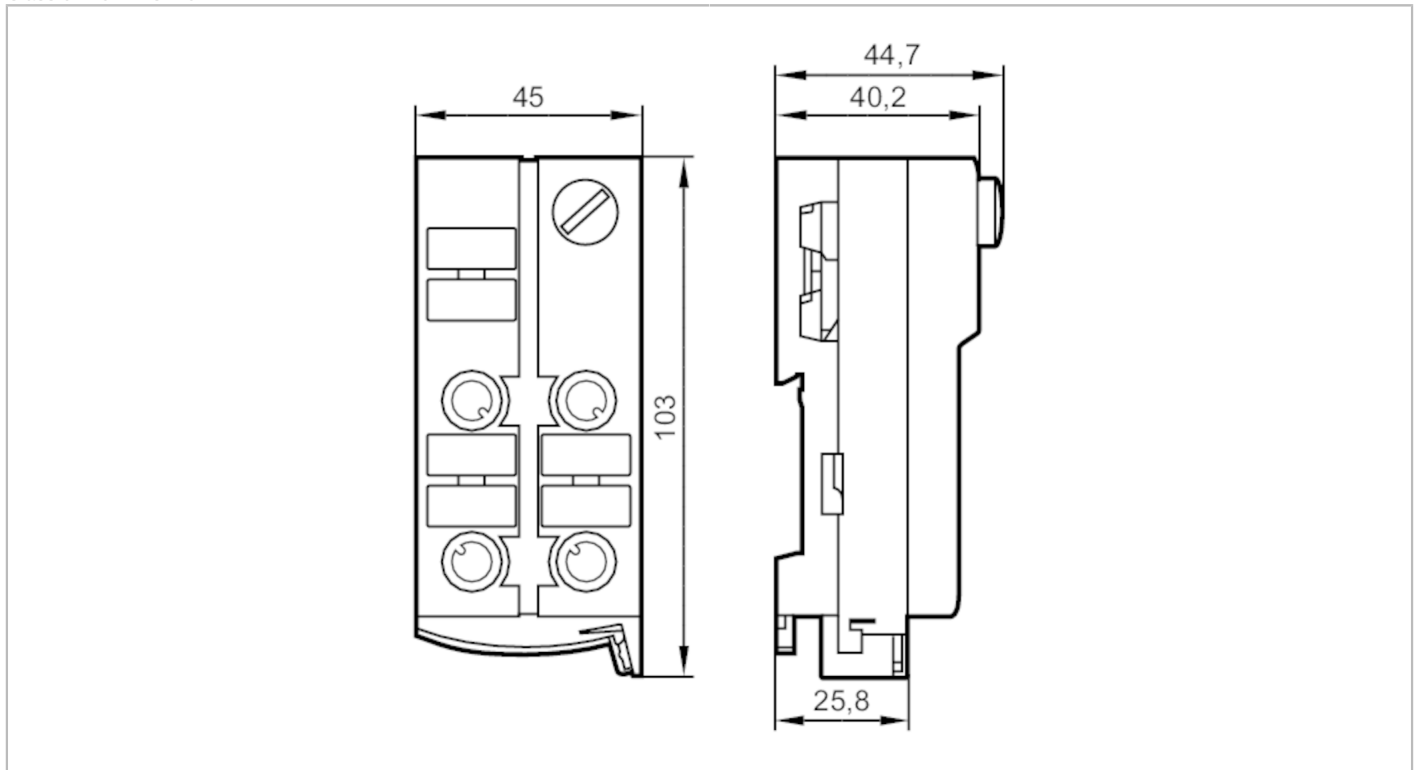


AC5222



AS-Interface ClassicLine module with quick mounting technology

ClassicLine 2AI C IP67



Product characteristics	
Number of inputs and outputs	Number of analog inputs: 2
Application	
Application	field installation
Electrical data	
Operating voltage [V]	26.5...31.6 DC
Max. current consumption from AS-i [mA]	250
Reverse polarity protection	yes
Inputs / outputs	
Number of inputs and outputs	Number of analog inputs: 2
Inputs	
Sensor supply of the inputs	AS-i
Number of analog inputs	2; (connection of 2- and 3-wire sensors)
Analog input (current) [mA]	4...20
Max. voltage drop across load for nominal voltage [V]	10
Analog inputs protected against short circuits	yes
Resolution of analog input	12 bit
Accuracy / deviations	
Accuracy	0.5; (% of the final value of the measuring range; tolerance under the influence of electromagnetic interference: ± 1 % of the final value of the measuring range)



AS-Interface ClassicLine module with quick mounting technology

ClassicLine 2AI C IP67

Operating conditions		
Ambient temperature	[°C]	-25...70
Storage temperature	[°C]	-25...70
Max. relative air humidity	[%]	90; (non condensing)
Max. height above sea level	[m]	2000
Protection		IP 67
Tests / approvals		
EMC		EN 50295
MTTF	[years]	174
UL approval		voltage supply Class 2
AS-i classification		
AS-i version		2.11; 3.0
AS-i addressing		Addressing socket
Extended addressing mode		no
AS-i master profile		M3; M4
AS-i profile		S-7.3.D
AS-i I/O configuration	[hex]	7
AS-i ID code	[hex]	3.D
Mechanical data		
Weight	[g]	176
Material		PA; Piercing contacts: CuSn6 nickel-plated and tin-plated
Displays / operating elements		
Display	analog signal	LED, yellow Channels AI1...AI2
	Power	LED, green AS-i
	errors	LED, red
Electrical connection		
Module connection		Flat cable
Accessories		
Items supplied		lower part
Accessories (optional)		Protective cap: M12, E73004
Remarks		
Remarks		When the actuators are supplied from AS-i the load must not exceed a maximum of 200 mA. There is an electrical connection between the sensor and AS-i. The module is exclusively supplied via the yellow AS-i cable.
Pack quantity		1 pcs.

AC5222



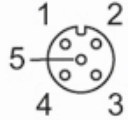
AS-Interface ClassicLine module with quick mounting technology

ClassicLine 2AI C IP67

Electrical connection

quick mounting technology for AS-i flat cable: ; three selectable directions

Connector: M12; coding: A



1	Sensor supply +24V
2	analog input AI +
3	Sensor supply 0V / analog input AI-
5	functional earth