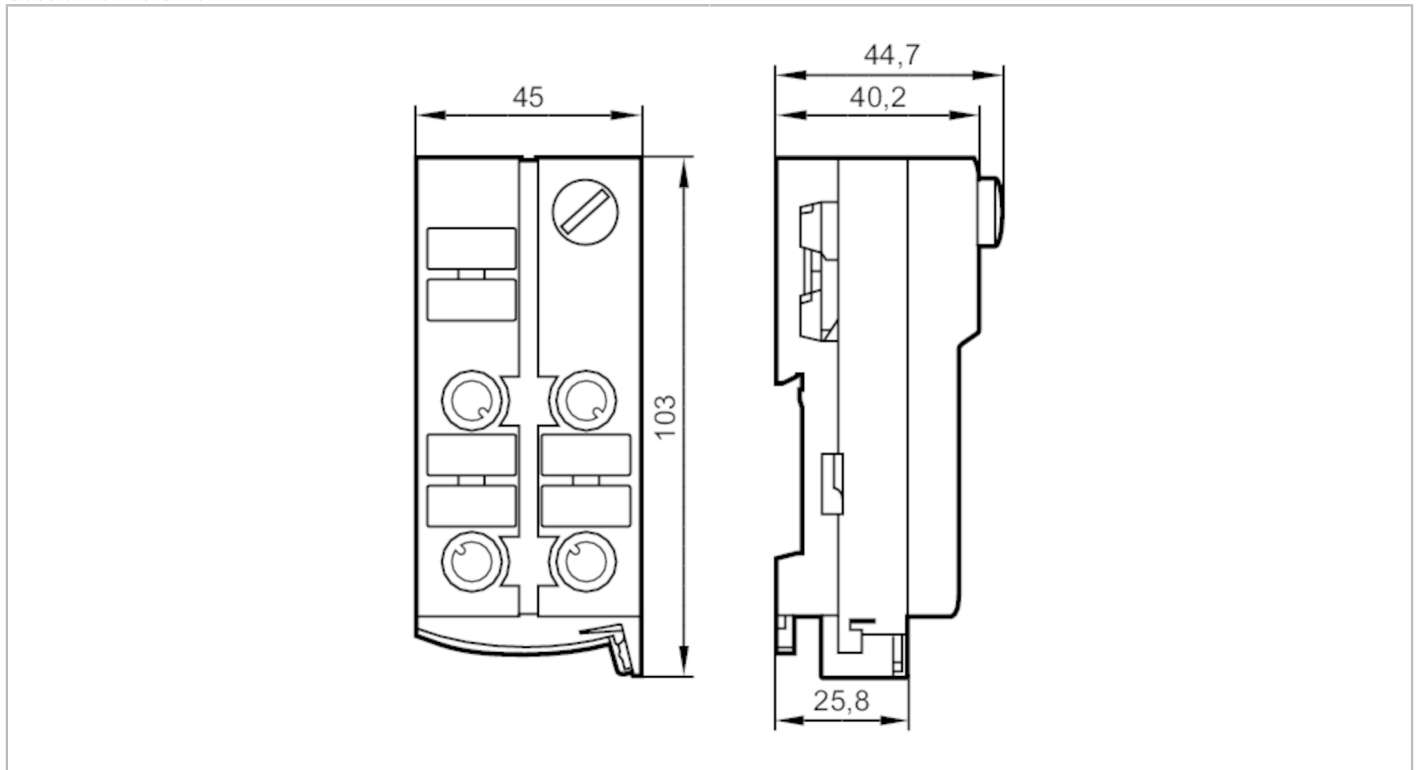


# AC5218



## AS-Interface ClassicLine module with quick mounting technology

ClassicLine 2AO C IP67



Product characteristics	
Number of inputs and outputs	Number of analog outputs: 2
Application	
Application	field installation
Electrical data	
Operating voltage [V]	18...31.6 DC
Max. current consumption from AS-i [mA]	50
Reverse polarity protection	yes
Additional voltage supply [V]	16...30 DC; (AUX)
Inputs / outputs	
Number of inputs and outputs	Number of analog outputs: 2
Outputs	
Number of analog outputs	2; (connection of 2-wire, 3-wire and 4-wire actuators)
Analog current output [mA]	4...20
Max. voltage drop across load for nominal current [V]	10
Resolution of analog output	12 bit
Accuracy / deviations	
Measuring error [% of the final value]	0,5
Operating conditions	
Ambient temperature [°C]	-25...70



## AS-Interface ClassicLine module with quick mounting technology

ClassicLine 2AO C IP67

Storage temperature	[°C]	-25...70
Max. relative air humidity	[%]	90; (non condensing)
Max. height above sea level	[m]	2000
Protection		IP 67
Degree of soiling		2

### Tests / approvals

EMC		EN 50295	
		EN 61000-6-2	
		EN 61000-6-3	
MTTF	[years]		125
UL approval		voltage supply	Class 2

### AS-i classification

AS-i version		2.11; 3.0
Extended addressing mode		no
AS-i master profile		M3; M4
AS-i profile		S-7.3.5
AS-i I/O configuration	[hex]	7
AS-i ID code	[hex]	3.5
AS-i certificate		124001

### Mechanical data

Weight	[g]	183
Material		PA; Piercing contacts: CuSn6 nickel-plated and tin-plated

### Displays / operating elements

Display	analog signal	LED, yellow Channels AO1...AO2
	Power	LED, green AS-i, AUX
	errors	LED, red

### Electrical connection

Module connection	Flat cable
-------------------	------------

### Accessories

Items supplied	lower part
Accessories (optional)	Protective cap: M12, E73004

### Remarks

Remarks	There is an electrical separation between AS-i and AUX and between AS-i and the analog outputs. The actuator supply on pins 1 and 3 can be used to supply the actuators. 3-wire connection possible via external link.
Pack quantity	1 pcs.

# AC5218



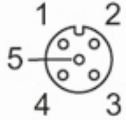
## AS-Interface ClassicLine module with quick mounting technology

ClassicLine 2AO C IP67

### Electrical connection

quick mounting technology for AS-i flat cable: ; three selectable directions

Connector: M12; coding: A



	analog output
1	Actuator supply + 24 V
2	analog output AO +
3	Actuator supply 0 V
4	analog output AO -
5	functional earth FE