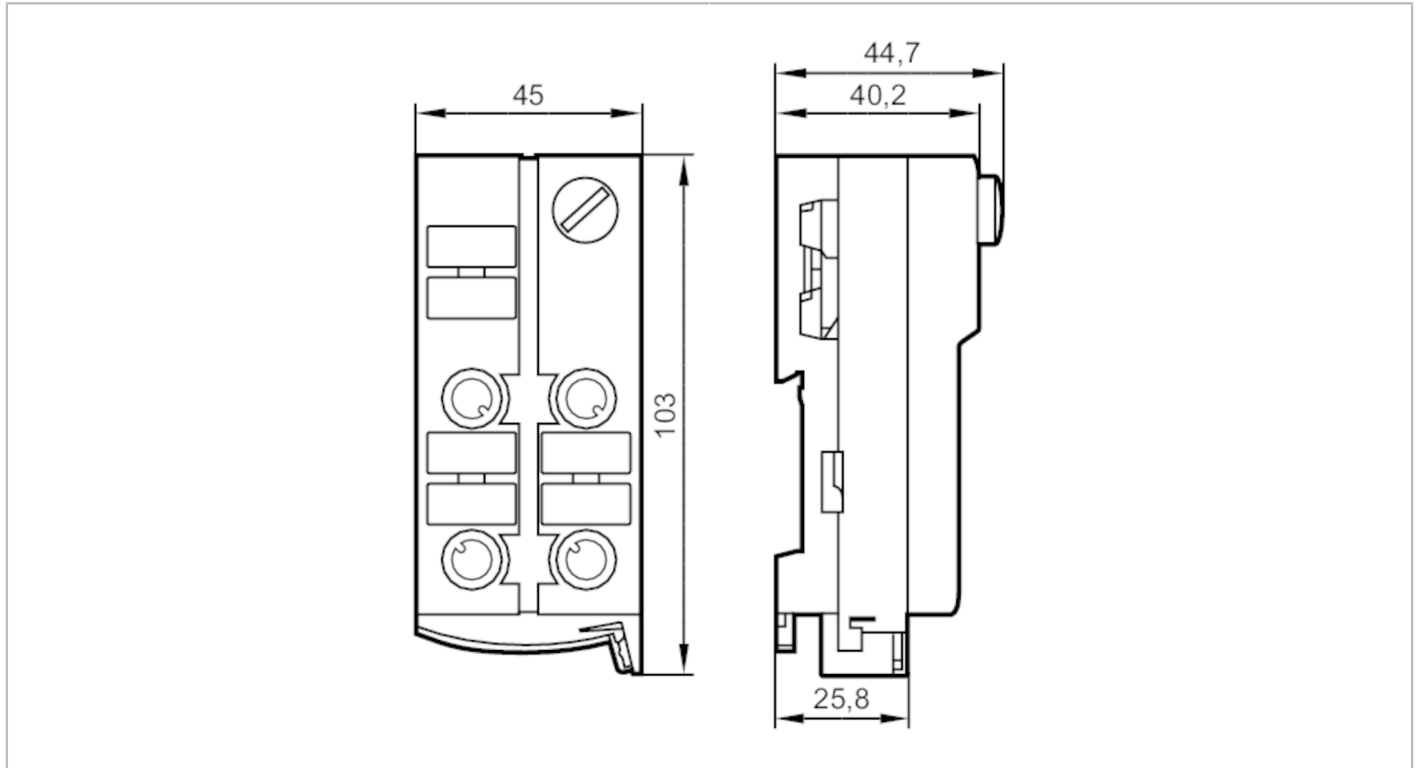


AC5213



AS-Interface ClassicLine module with quick mounting technology

ClassicLine 4DO-Y IP67



Application	
Application	field installation
Electrical data	
Operating voltage [V]	26.5...31.6 DC; (cULus - Class 2 source required)
Max. current consumption from AS-i [mA]	50
Max. current load total [A]	4
Integrated watchdog	yes
Inputs / outputs	
Number of inputs and outputs	Number of digital outputs: 4
Outputs	
Number of digital outputs	4
Circuit	PNP
Voltage range DC [V]	15...30; (to PELV; via flat cable)
Max. current load per output [mA]	2000; (utilization category DC-13 (control of electromagnets): 40 W (IEC 60947-5-1))
Short-circuit proof	yes
Electrically separated	yes
Actuator supply outputs	AUX
Operating conditions	
Ambient temperature [°C]	-25...70
Protection	IP 67

AC5213



AS-Interface ClassicLine module with quick mounting technology

ClassicLine 4DO-Y IP67

Tests / approvals					
EMC	EN 50295				
	IEC 61000-6-2				
MTTF	[years]	201			
AS-i classification					
AS-i version	2.11; 3.0				
AS-i addressing	Addressing socket				
Extended addressing mode	no				
AS-i master profile	M2; M3; M4				
AS-i profile	S-8.0.E				
AS-i I/O configuration	[hex]	8			
AS-i ID code	[hex]	0.E			
Data bits	Data bit	D0	D1	D2	D3
	Output	1	2	3	4
	Socket	O-1/2	O1/2 O-2	O-3/4	O-3/4 O-4
	Pin	4	2 4	4	2 4
Mechanical data					
Weight	[g]	183.5			
Type of mounting	AS-i flat cable connection				
Material	PA; Piercing contacts: CuSn6 nickel-plated and tin-plated				
Displays / operating elements					
Display	Power	LED, green			
	errors	LED, red			
	Function	LED, yellow			
Electrical connection					
Module connection	Flat cable				
Accessories					
Items supplied	lower part				
Accessories (optional)	Protective cap: M12, E73004				
Remarks					
Pack quantity	1 pcs.				



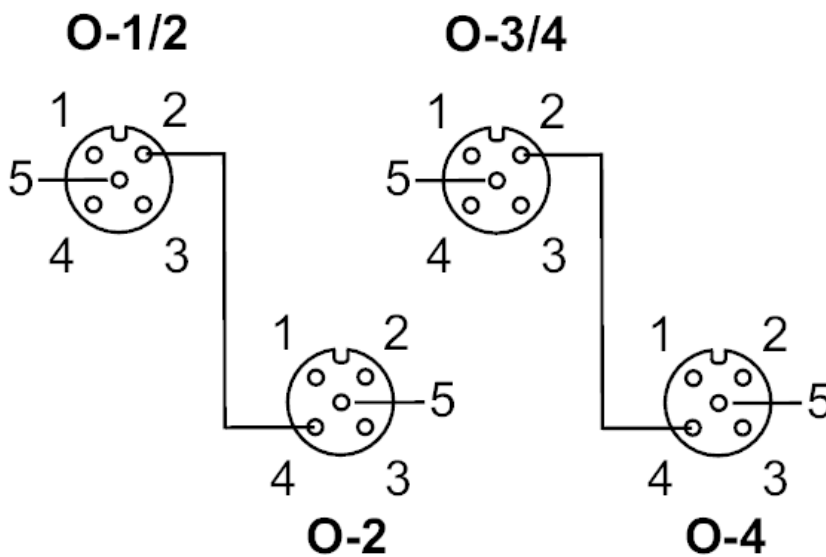
AS-Interface ClassicLine module with quick mounting technology

ClassicLine 4DO-Y IP67

Electrical connection

quick mounting technology for AS-i flat cable: ; three selectable directions

Connection



Connector: M12

Outputs	
Socket O-1/2	
1	not used
2	Switching output 2
3	External voltage AUX -
4	Switching output 1
5	not used
Socket O-2	
1	not used
2	not used
3	External voltage AUX -
4	Switching output 2
5	not used
Socket O-3/4	
1	not used
2	Switching output 4
3	External voltage AUX -
4	Switching output 3
5	not used
Socket O-4	
1	not used
2	not used
3	External voltage AUX -
4	Switching output 4
5	not used