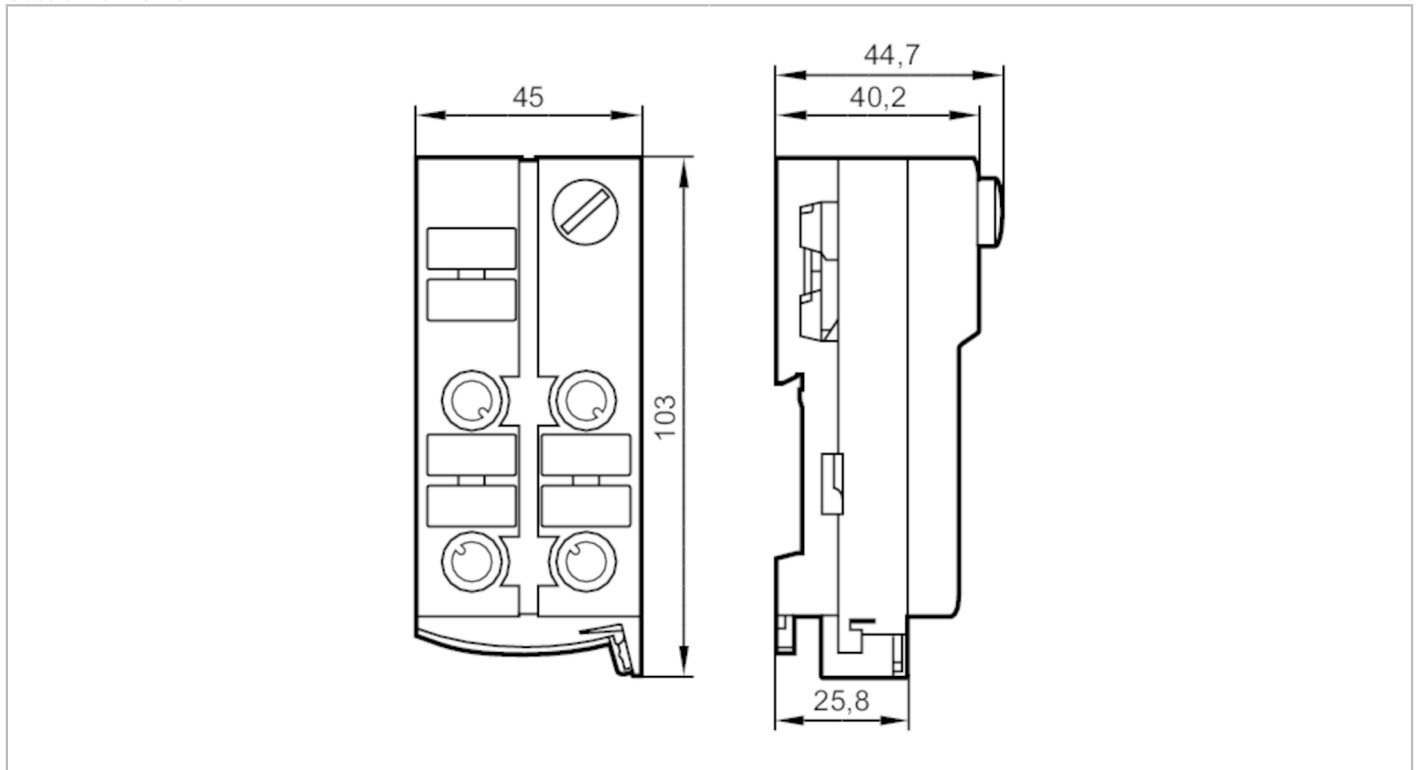


# AC508A



## AS-Interface ClassicLine module with quick mounting technology

ClassicLine 4DO II 3D



Application	
Application	AS-i ATEX module
Electrical data	
Operating voltage [V]	26.5...31.6 DC
Max. current consumption from AS-i [mA]	50
Max. current load total [A]	2
Integrated watchdog	yes
Inputs / outputs	
Number of inputs and outputs	Number of digital outputs: 4
Outputs	
Number of digital outputs	4
Circuit	PNP
Voltage range DC [V]	15...30; (to PELV; via flat cable)
Max. current load per output [mA]	1000; (utilization category DC-13 (control of electromagnets): 20 W (IEC 60947-5-1))
Short-circuit proof	yes
Electrically separated	yes
Operating conditions	
Ambient temperature [°C]	-10...50
Protection	IP 50
Tests / approvals	
ATEX marking	Ex II 3D Ex tc IIIB T80°C Dc X IP50

# AC508A



## AS-Interface ClassicLine module with quick mounting technology

ClassicLine 4DO II 3D

EMC	EN 50295	
	IEC 61000-6-2	
MTTF [years]		211

AS-i classification					
AS-i version	2.11; 3.0				
AS-i addressing	Addressing socket				
Extended addressing mode	no				
AS-i master profile	M2; M3; M4				
AS-i profile	S-8.0.E				
AS-i I/O configuration [hex]	8				
AS-i ID code [hex]	0.E				
AS-i certificate pending	yes				
Data bits	Data bit	D0	D1	D2	D3
	Output	1	2	3	4
	Socket	O-1/2	O1/2 O-2	O-3/4	O-3/4 O-4
	Pin	4	2 4	4	2 4

Mechanical data	
Weight [g]	228.5
Type of mounting	AS-i flat cable connection
Material	PA; Piercing contacts: CuSn6 nickel-plated and tin-plated

Displays / operating elements		
Display	Power	LED, green
	errors	LED, red
	Function	LED, yellow

Electrical connection	
Module connection	Flat cable

Accessories	
Items supplied	lower part
Accessories (optional)	Protective cap: M12, E73004
	impact protection housing:, E7000A

Remarks	
Remarks	Mechanical protection has to be implemented. Otherwise the unit must be installed together with the impact protection housing (E7000A).
Pack quantity	1 pcs.

# AC508A



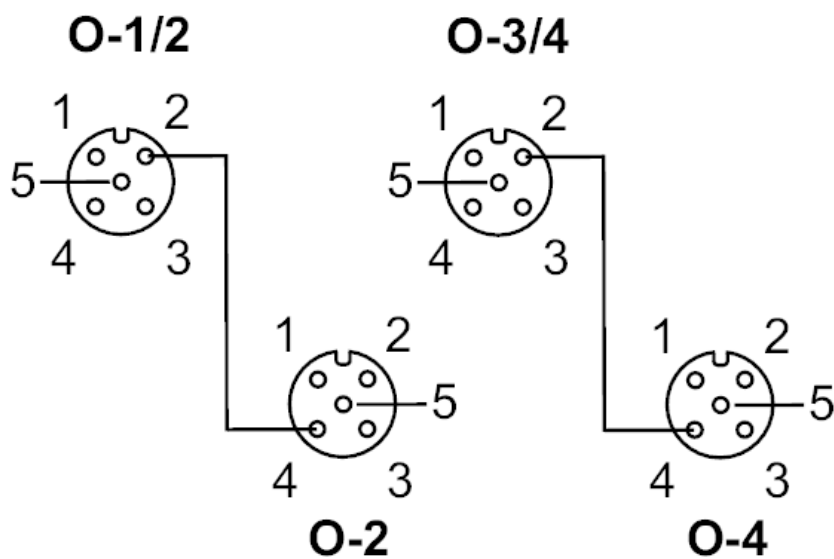
## AS-Interface ClassicLine module with quick mounting technology

ClassicLine 4DO II 3D

### Electrical connection

quick mounting technology for AS-i flat cable: ; three selectable directions

#### Connection



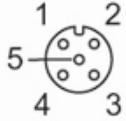
# AC508A



## AS-Interface ClassicLine module with quick mounting technology

ClassicLine 4DO II 3D

Connector: M12; coding: A



	Outputs
	Socket O-1/2
1	not used
2	Switching output 2
3	External voltage AUX -
4	Switching output 1
5	not used
	Socket O-2
1	not used
2	not used
3	External voltage AUX -
4	Switching output 2
5	not used
	Socket O-3/4
1	not used
2	Switching output 4
3	External voltage AUX -
4	Switching output 3
5	not used
	Socket O-4
1	not used
2	not used
3	External voltage AUX -
4	Switching output 4
5	not used